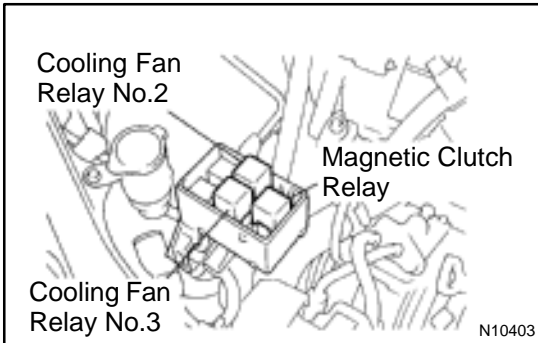


COOLING FAN RELAY INSPECTION

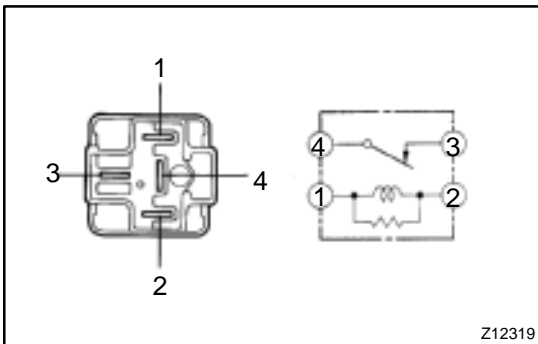
AC1GZ-01

1. REMOVE COOLING FAN RELAY FROM JUNCTION AND RELAY BLOCK NO.2



2. REMOVE COOLING FAN RELAY NO.2 FROM RELAY BLOCK NO.5

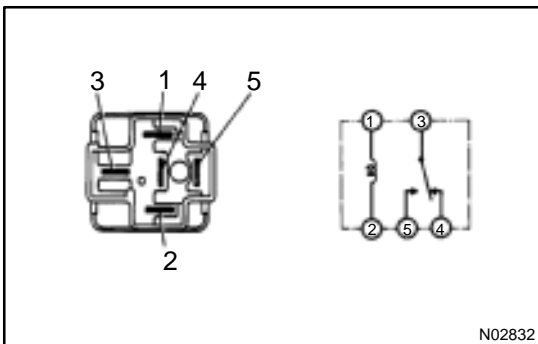
3. REMOVE COOLING FAN RELAY NO.3 FROM RELAY BLOCK NO.5



4. INSPECT COOLING FAN RELAY NO.1 CONTINUITY

Condition	Tester connection	Specified condition
Constant	1 - 2 3 - 4	Continuity
Apply B+ between terminals 1 and 3.	3 - 4	No continuity

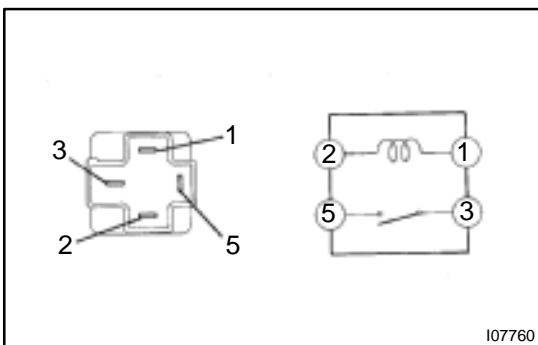
If continuity is not as specified, replace the relay.



5. INSPECT COOLING FAN RELAY NO.2 CONTINUITY

Condition	Tester connection	Specified condition
Constant	1 - 2 4 - 5	Continuity
Apply B+ between terminals 1 and 2.	3 - 5	Continuity

If continuity is not as specified, replace the relay.



6. INSPECT COOLING FAN RELAY NO.3 CONTINUITY

Condition	Tester connection	Specified condition
Constant	1 - 2	Continuity
Apply B+ between terminals 1 and 2.	3 - 5	Continuity

If continuity is not as specified, replace the relay.