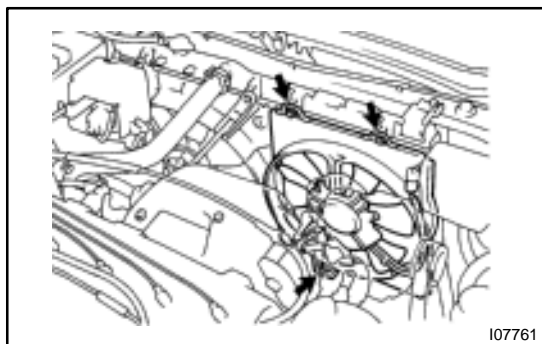


## REMOVAL

### 1. DRAIN ENGINE COOLANT FROM RADIATOR

HINT:

It is not necessary to drain out all the coolant.



I07761

### 2. REMOVE CONDENSER FAN

- (a) Disconnect the connector.
  - (b) Remove the 3 bolts and condenser fan.
- Torque: 5.0 N·m (55 kgf·cm, 48 in.-lbf)**