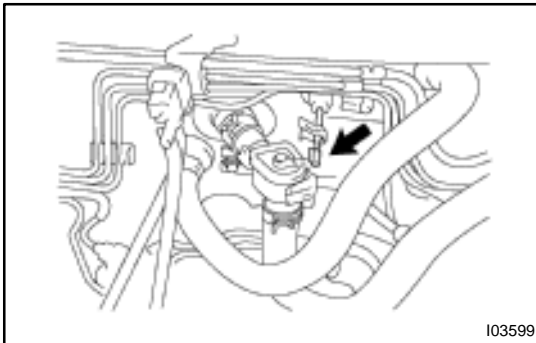


REMOVAL

1. DRAIN ENGINE COOLANT FROM RADIATOR

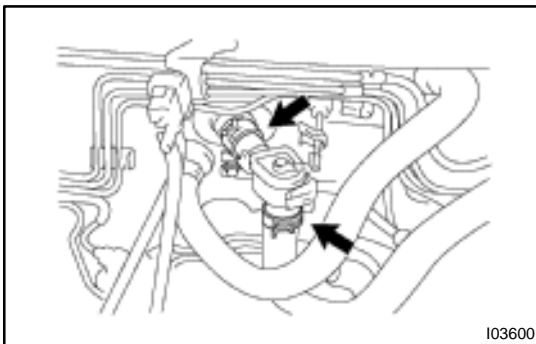
HINT:

It is not necessary to drain out all the coolant.



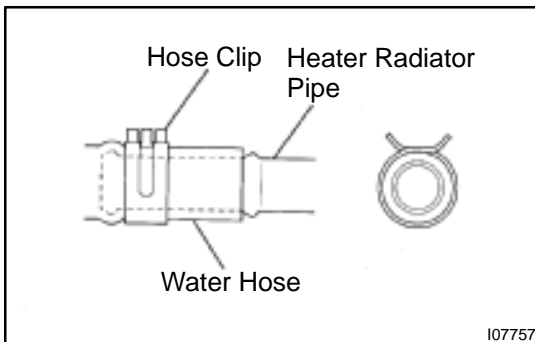
I03599

2. DISCONNECT WATER VALVE CONTROL CABLE FROM WATER VALVE



I03600

3. DISCONNECT WATER HOSES

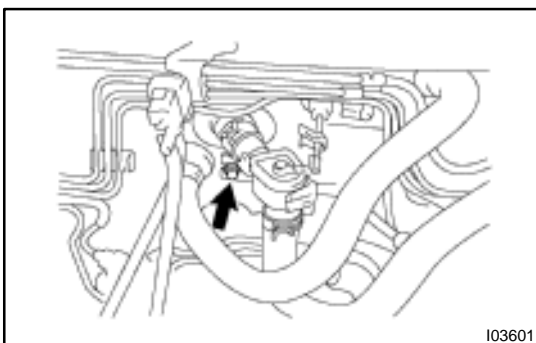


I07757

HINT:

- Push the water hose onto the heater radiator pipe as far as the ridge on the pipe and install them to the hose clip.
- Install a hose clip in a position, as shown in the illustration.

4. REMOVE WATER VALVE



I03601