

2004 SCION xA & xB

MANUAL & AUTOMATIC TRANSMISSION VEHICLE

CRUISE CONTROL INSTALLATION INSTRUCTIONS PART No. 00016-79910

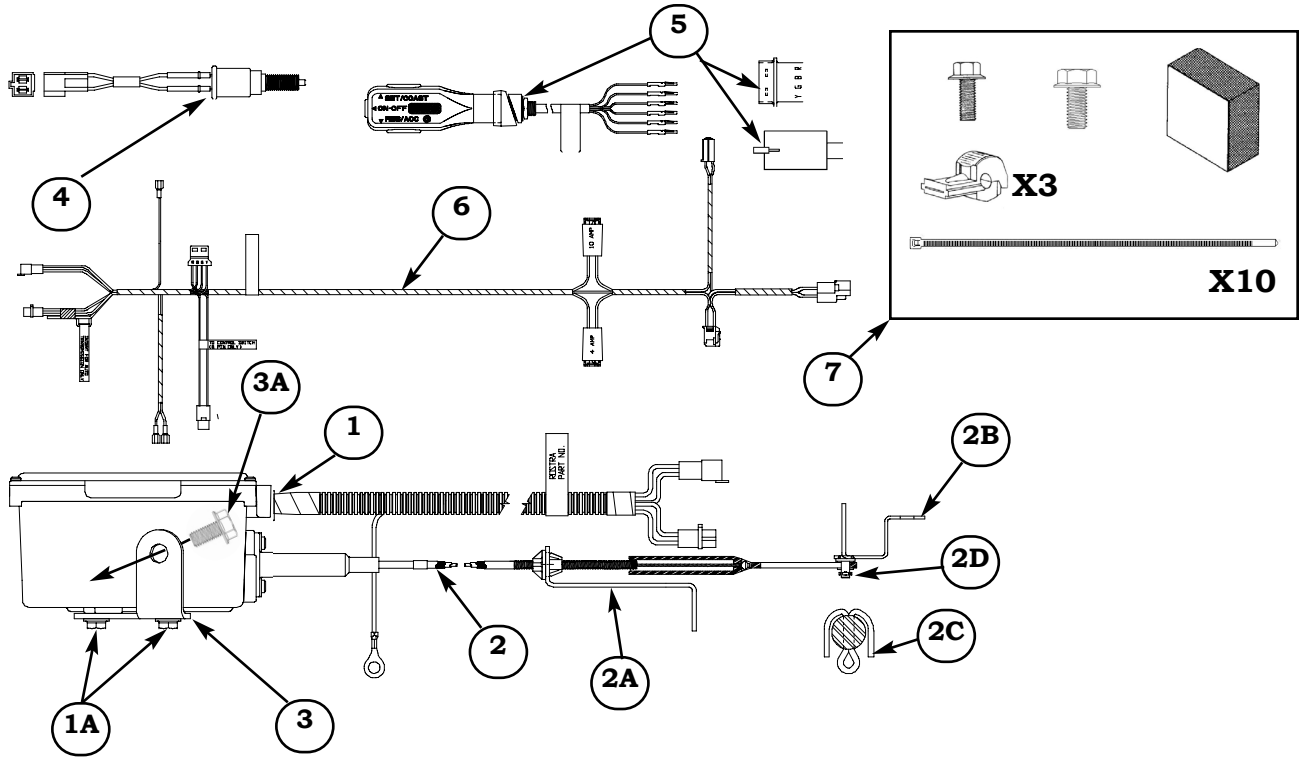


CONTENTS

PARTS IDENTIFICATION.....	2
HELPFUL HINTS.....	3
INSTALLATION.....	4
WIRING DIAGRAM.....	11
TROUBLESHOOTING GUIDE.....	12
OPERATING INSTRUCTIONS.....	15

PARTS IDENTIFICATION

ITEM	QUANTITY	PART NUMBER	DESCRIPTION
1	1	00016-79910-01	MODULE/HARNESS ASSEMBLY
A	2	**	MODULE MOUNTING SCREWS
2	1	00016-35905-01	CABLE ASSEMBLY
A	1	00016-01201-07	CABLE BRACKET
B	1	00016-01201-02	THROTTLE LEVER BRACKET
C	1	**	COTTER PIN
D	2	**	WASHER-PLAIN #10
3	1	00016-79910-02	MODULE BRACKET
A	1	**	6 MM BOLT
4	1	00016-03372	CLUTCH SWITCH
5	1	00016-03717	CONTROL SWITCH ASSEMBLY
A	1	***	NUT-HEX 3/8"-24 THIN
B	1	***	CONNECTOR-FEMALE 2 PIN
C	1	***	CONNECTOR-FEMALE 4 PIN
D	2	***	LOCKWASHER-3/8" INTERNAL
E	2	***	WEDGE-17.5 DEGREES
6	1	00016-01201-04	HARNESS ASSEMBLY
7	1	00016-79910-03	HARDWARE PACKAGE: M8-1 BOLT, M6-1 BOLT, FEMALE T-TAP (3), TIE STRAPS (10), PUTTY



HELPFUL HINTS

1. BEFORE STARTING INSTALLATION:

FAMILIARIZE YOURSELF WITH THE **INSTALLATION INSTRUCTIONS** AND **CRUISE CONTROL COMPONENTS**.

2. MATING CONNECTORS:

A. WHEN DISCONNECTING CONNECTORS, HOLD CONNECTOR AND PRESS THE LOCK DOWNWARD WHILE PULLING CONNECTORS APART. **FIGURE 1**

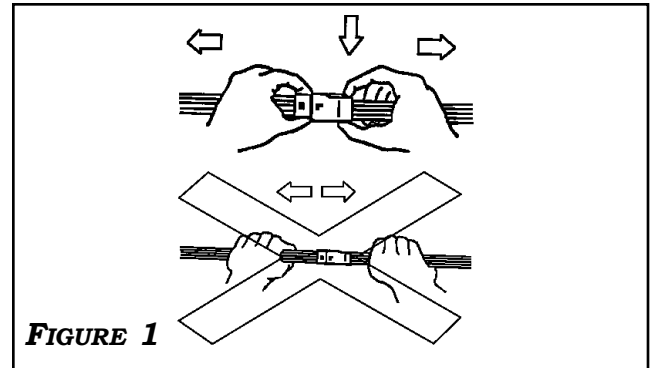


FIGURE 1

CAUTION: DO NOT PULL ON WIRES

B. WHEN CONNECTING MATING CONNECTORS, PUSH CONNECTORS TOGETHER UNTIL LOCKING MECHANISMS ARE FIRMLY LOCKED TOGETHER. **FIGURE 2**

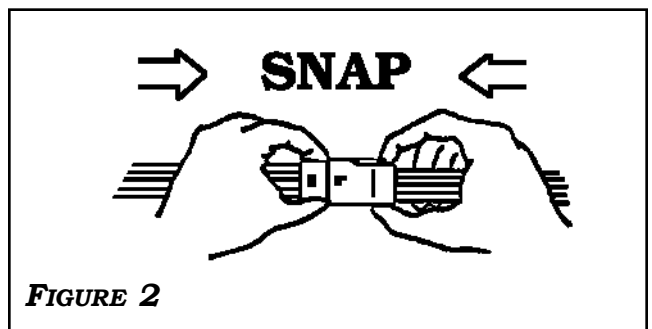


FIGURE 2

3. ANTI-THEFT RADIO:

IF VEHICLE IS EQUIPPED WITH AN ANTI-THEFT RADIO, THE RADIO CODE MUST BE WRITTEN DOWN PRIOR TO DISCONNECTING BATTERY CABLE. THE CODE MUST BE REENTERED WHEN THE NEGATIVE BATTERY CABLE IS REINSTALLED.

4. REMOVAL OF NEGATIVE BATTERY CABLE:

REMOVE THE NEGATIVE BATTERY CABLE BEFORE INSTALLING THE CRUISE CONTROL COMPONENTS FOR SAFETY PRECAUTIONS. **FIGURE 3**

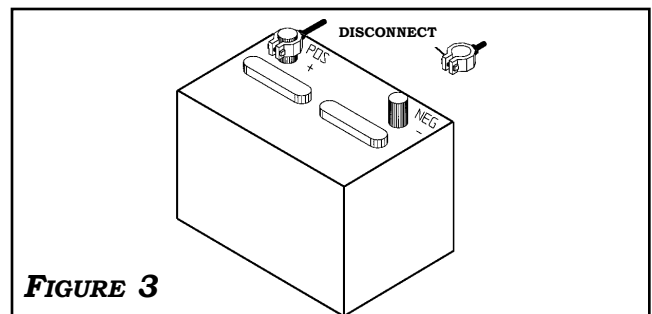


FIGURE 3

5. FEMALE T-TAP CONNECTOR:

WHEN INSTALLING FEMALE **T-TAP CONNECTORS**, ENSURE WIRE IS INSIDE GROOVE OF THE FEMALE **T-TAP CONNECTOR** BEFORE CLOSING ON WIRE WITH PLIERS. **FIGURE 4**

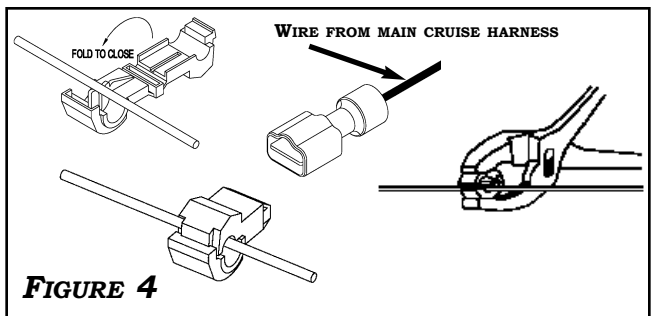


FIGURE 4

6. JUMPER CLIP:

THE **JUMPER CLIP** IS INSTALLED IN THE **CRUISE HARNESS** AND IS REMOVED ONLY ON MANUAL TRANSMISSION VEHICLES FOR CONNECTION TO THE CLUTCH SWITCH. **FIGURE 5**

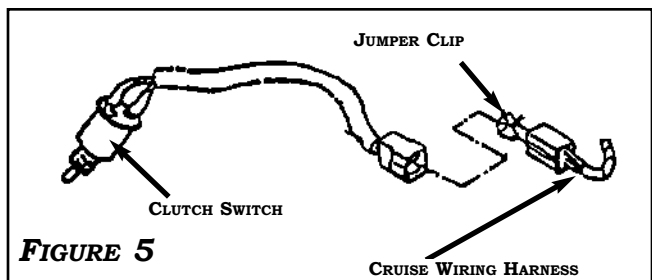


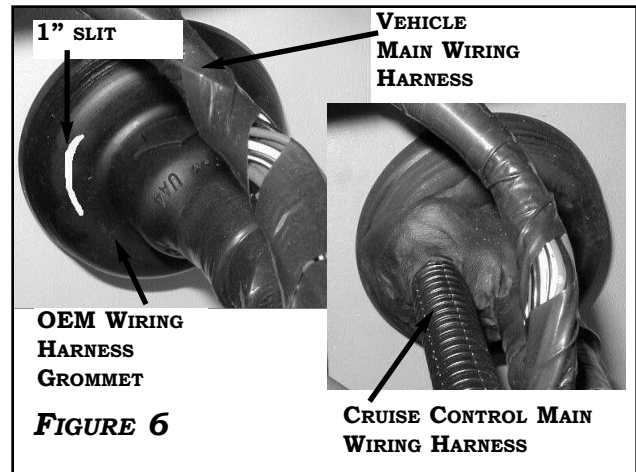
FIGURE 5

INSTALLATION

STEP 1: WIRE HARNESS ROUTING

LOCATION: DRIVER'S SIDE FIREWALL ACCESS.

1. ROUTE **MODULE HARNESS** THROUGH OEM MAIN WIRING HARNESS GROMMET, **FIGURE 6**, TO THE DRIVER'S SIDE COMPARTMENT. SECURE **MODULE HARNESS** WITH **CABLE TIE** TO MODULE BRACKET (*ONCE INSTALLED*).
2. FROM OUTSIDE THE VEHICLE, REMOVE OEM MAIN HARNESS GROMMET FROM BULKHEAD AT THE DRIVER'S SIDE. CUT A 1" SLIT AT LOCATION SHOWN. **FIGURE 6**
3. WHEN CUTTING SLIT, REMAIN AWAY FROM OEM MAIN HARNESS.
4. AFTER ROUTING **CRUISE MAIN HARNESS** THROUGH SLIT IN GROMMET TO INSIDE VEHICLE, REINSTALL GROMMET INTO VEHICLE ACCESS OPENING. SEAL **CRUISE MAIN HARNESS** AND SLIT IN GROMMET WITH **SEALING PUTTY (DUM-DUM)** PROVIDED IN KIT. **FIGURE 6**

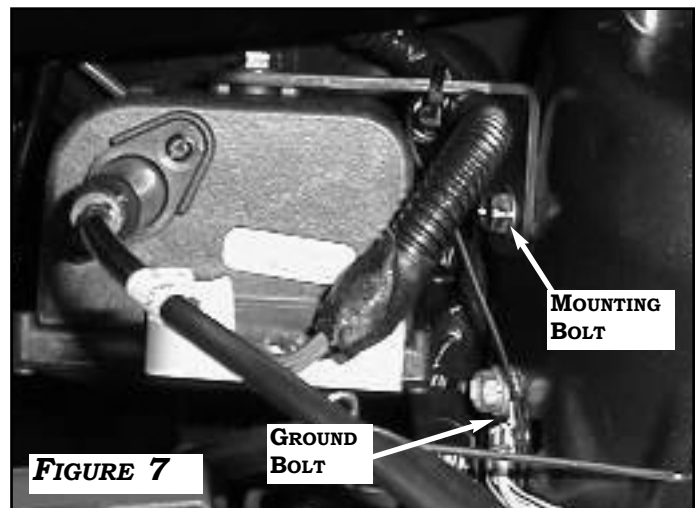


STEP 2: MODULE MOUNTING

LOCATION: DRIVER SHOCK TOWER.

HARDWARE: (1) 6MM BOLT.

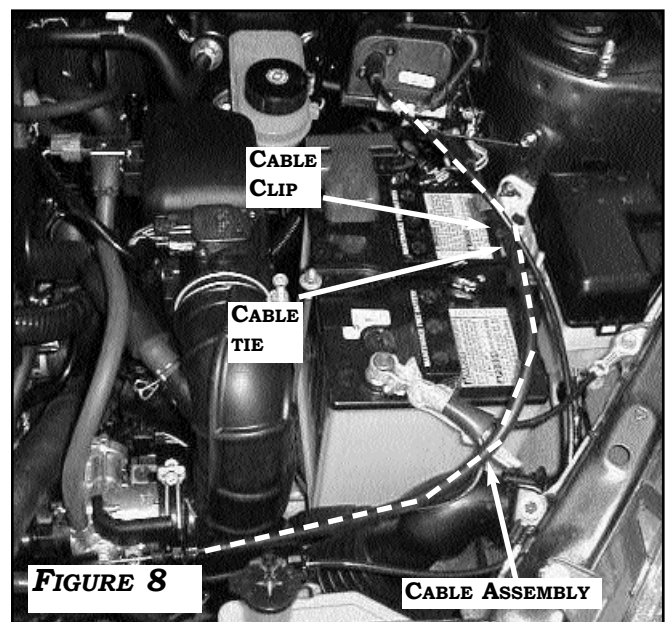
1. REMOVE THE OEM GROUND WIRE 6MM BOLT. INSTALL CRUISE BLACK GROUND WIRE ON THE 6MM BOLT AND SECURE. **FIGURE 7**
2. LOCATE **(1)** PRETHREADED FACTORY HOLE ON DRIVER SIDE SHOCK TOWER.
3. MOUNT CRUISE MODULE ASSEMBLY USING **(1)** BOLT SUPPLIED IN KIT AND SECURE. **FIGURE 7**



STEP 3: CABLE ROUTING

LOCATION: ENGINE COMPARTMENT

1. ROUTE **CABLE ASSEMBLY** FROM **MODULE ASSEMBLY** TOWARDS VEHICLE'S THROTTLE AREA ALONGSIDE THE FACTORY THROTTLE CABLE. **FIGURE 8**
2. UTILIZE FACTORY CABLE CLIP TO SECURE CRUISE CABLE. **FIGURE 8.**
3. ALSO, SECURE **CABLE ASSEMBLY** WITH **CABLE TIES** AS SHOWN IN **FIGURE 8.**



NOTE: KEEP CABLE CLEAR OF SHARP, HOT OR MOVING OBJECTS

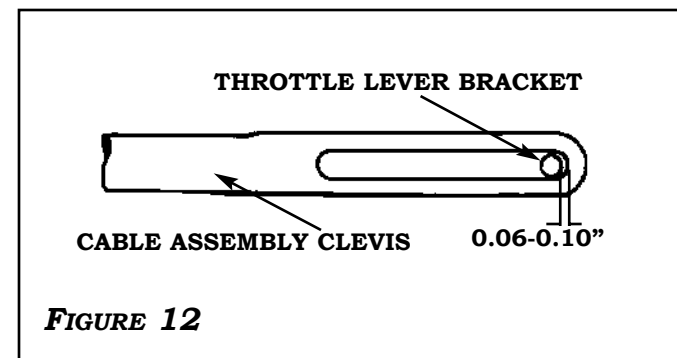
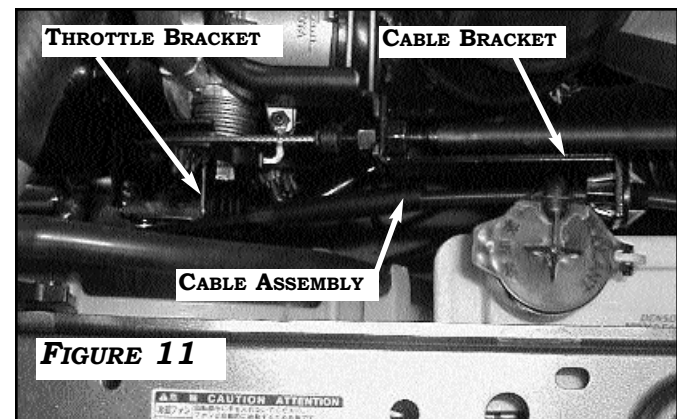
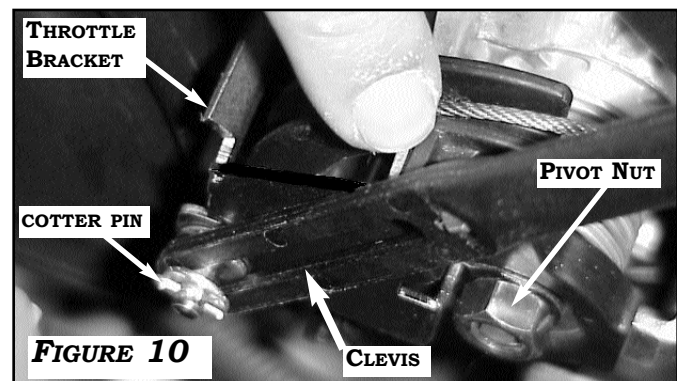
INSTALLATION

STEP 4: THROTTLE ATTACHMENT

LOCATION: ENGINE THROTTLE SHAFT AREA

1. LOOSEN THE “REAR” THROTTLE CABLE NUT ENOUGH TO INSERT THE **CABLE BRACKET**. RETIGHTEN THE “REAR” THROTTLE CABLE NUT. **FIGURE 9**
2. REMOVE THE PIVOT NUT FROM THE PULLEY SEGMENT OF THE THROTTLE BODY. ATTACH THE **THROTTLE LEVER BRACKET** AS SHOWN. REINSTALL THE OE PIVOT NUT. **FIGURE 10**
3. THREAD NUT BY HAND TO AVOID CROSS THREADING. TIGHTEN **8MM NUT TO 60-72 IN LBS.**
DO NOT OVERTIGHTEN.
4. CONNECT THE **CRUISE CONTROL CABLE TO THE THROTTLE LEVER BRACKET.** **FIGURE 11**
5. AFTER ASSEMBLY IS SECURED, MAKE SURE THE **CABLE ASSEMBLY** IS NOT HOLDING THE THROTTLE OPEN IN ANY WAY. THERE SHOULD BE **0.06-0.10”** SLACK BETWEEN THE **CRUISE CONTROL CABLE CLEVIS** AND THE **THROTTLE LEVER BRACKET PIN.** **FIGURE 12**

NOTE: TO ACHIEVE PROPER SLACK DIMENSIONS, REMOVE THE THREADED SNAP-IN ADAPTER FROM THE CABLE BRACKET. TURN THREADED SNAP-IN ADAPTER TO ADJUST THE SLACK.



INSTALLATION

STEP 6: BRAKE SWITCH CONNECTIONS

LOCATION: BRAKE PEDAL ASSEMBLY

HARDWARE: MATING CONNECTORS

1. DISCONNECT VEHICLE BRAKE SWITCH HARNESS FROM BRAKE SWITCH. **FIGURE 13**
2. CONNECT MATING CONNECTORS OF **CRUISE MAIN HARNESS ASSEMBLY** TO THE VEHICLE BRAKE SWITCH AND HARNESS. **FIGURE 13**
3. ROUTE **HARNESS ASSEMBLIES** SO THAT THEY DO NOT INTERFERE WITH ANY MOVING COMPONENTS.

NOTE: CRUISE SHOULD DISENGAGE PRIOR TO ACTUAL VEHICLE BRAKING WHEN APPLYING THE BRAKE PEDAL. REFER TO TOYOTA REPAIR MANUAL FOR BRAKE SWITCH ADJUSTMENTS.

STEP 7: CLUTCH SWITCH (MANUAL TRANSMISSION ONLY)

LOCATION: CLUTCH PEDAL ASSEMBLY

HARDWARE: CLUTCH SWITCH (1)

1. RECORD POSITION OF CLUTCH PEDAL IN ITS FREE, UNDEPRESSED POSITION. REMOVE STOP BOLT AND THREAD **CLUTCH SWITCH** SO THAT THE PLUNGER IS COMPLETELY DEPRESSED WHEN THE CLUTCH PEDAL IS IN ITS FREE, UNDEPRESSED POSITION. SECURE **CLUTCH SWITCH** WITH JAM NUT REMOVED FROM THE STOP BOLT. **FIGURE 14**
2. REMOVE THE JUMPER CLIP FROM THE **CRUISE CONTROL MAIN HARNESS** AND PLUG TO THE MATING CONNECTOR ON THE **CLUTCH SWITCH**. **FIGURE 15**
3. SECURE THE **CLUTCH SWITCH HARNESS** WITH CABLE TIES.

NOTE: KEEP HARNESS CLEAR OF SHARP, HOT OR MOVING OBJECTS.

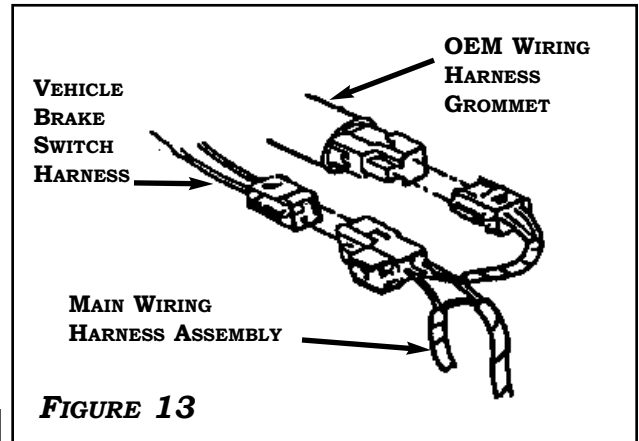


FIGURE 13

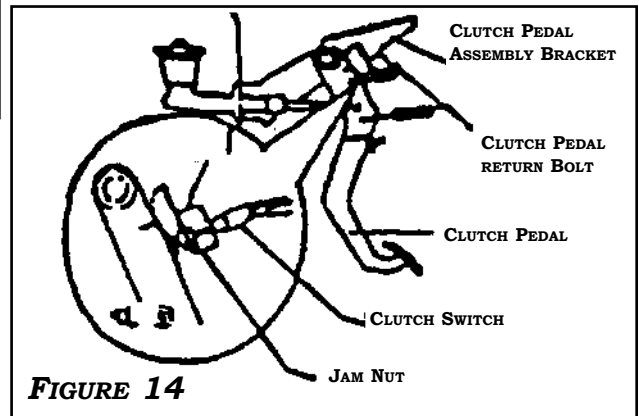


FIGURE 14

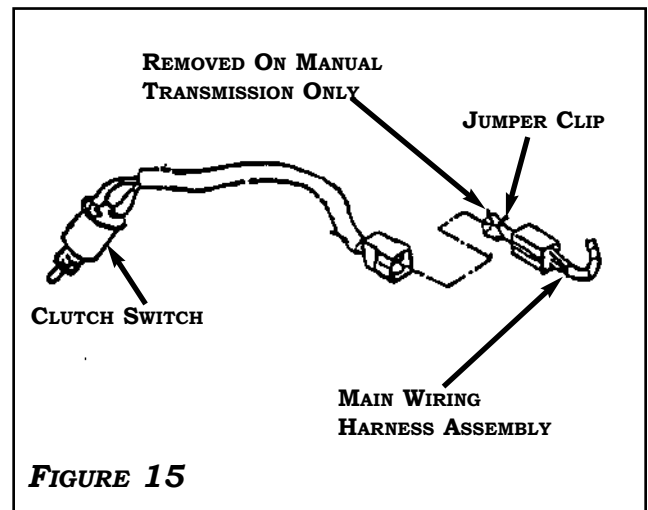


FIGURE 15

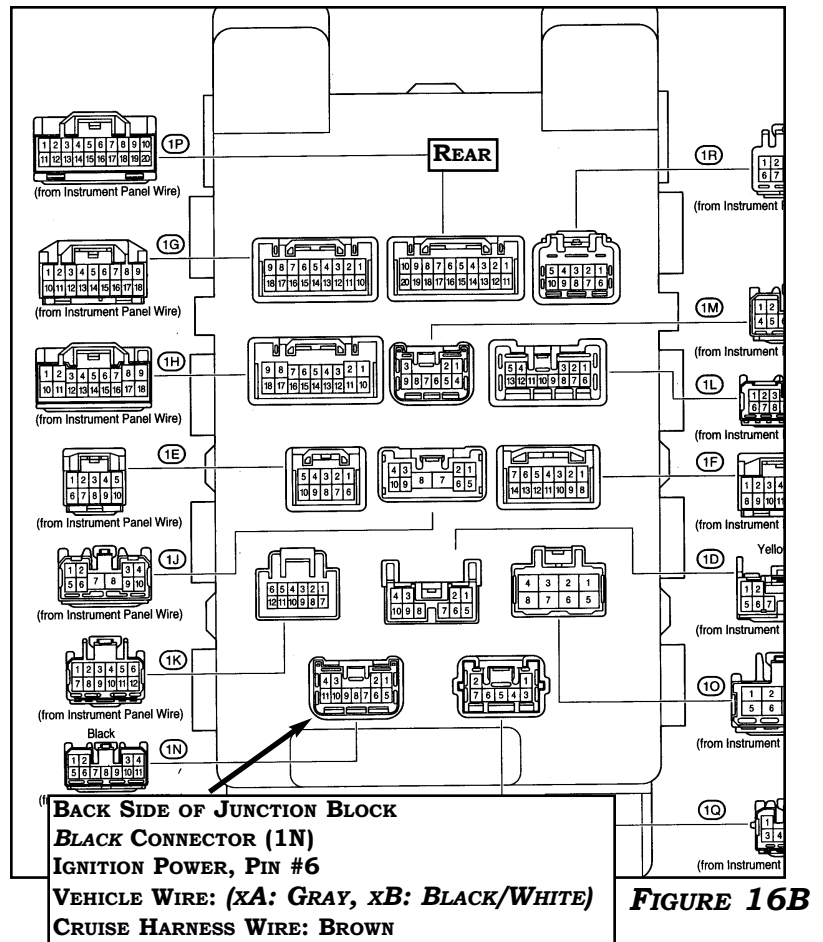
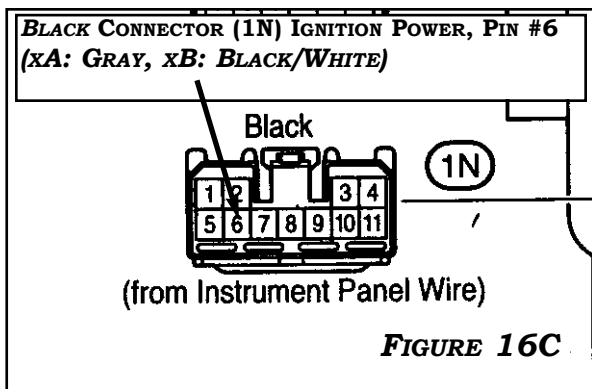
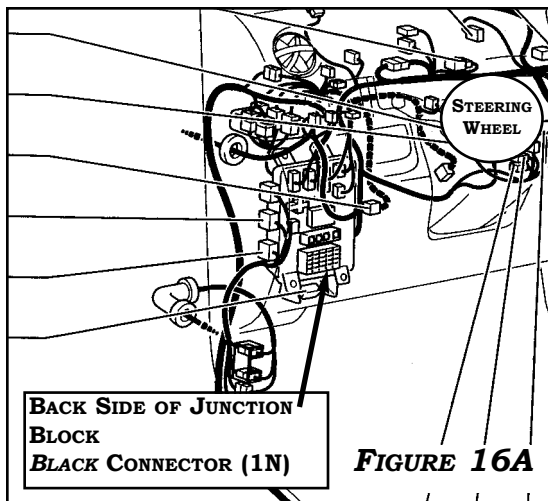
INSTALLATION

STEP 8: POWER CONNECTION

LOCATION: POWER, DRIVER SIDE CONNECTOR (1N)

HARDWARE: : (1) FEMALE T-TAP CONNECTORS (RED)

1. LOCATE THE **BLACK 11 PIN CONNECTOR (1N)** ON THE BACK SIDE OF THE JUNCTION BLOCK, **FIGURES 16A & 16B**,
2. ROUTE **BROWN WIRE (POWER)** TOWARDS THE **(1N) 11 PIN CONNECTOR**. **FIGURE 16A**
3. INSTALL THE **RED T-TAP CONNECTOR** ON THE **(xA: GRAY, xB: BLACK/WHITE) PIN #6** WIRE AND CONNECT THE **BROWN** WIRE TO THE **T-TAP CONNECTOR**. **FIGURE 16A**
4. SECURE ALL WIRES UNDER DASH WITH **CABLE TIES**.



INSTALLATION

STEP 9: VEHICLE SPEED SIGNAL & NEUTRAL SAFETY

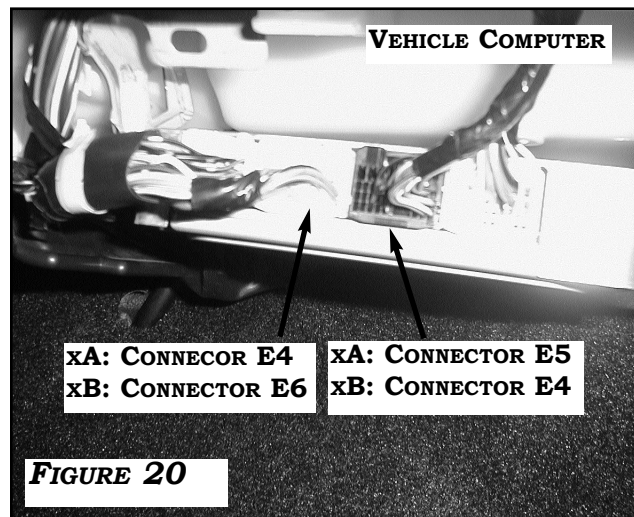
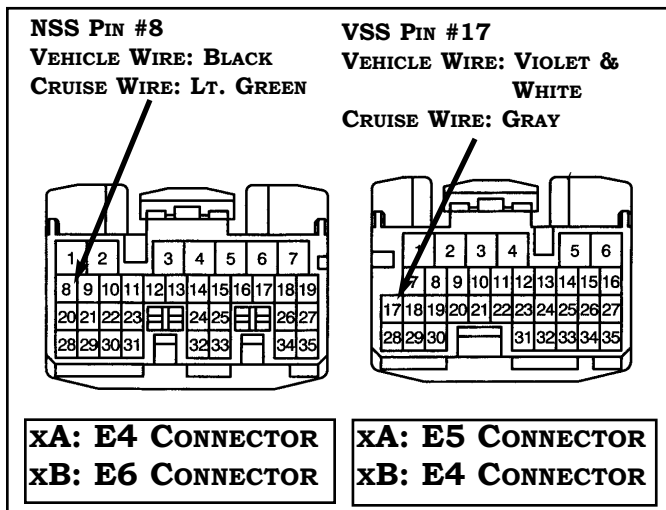
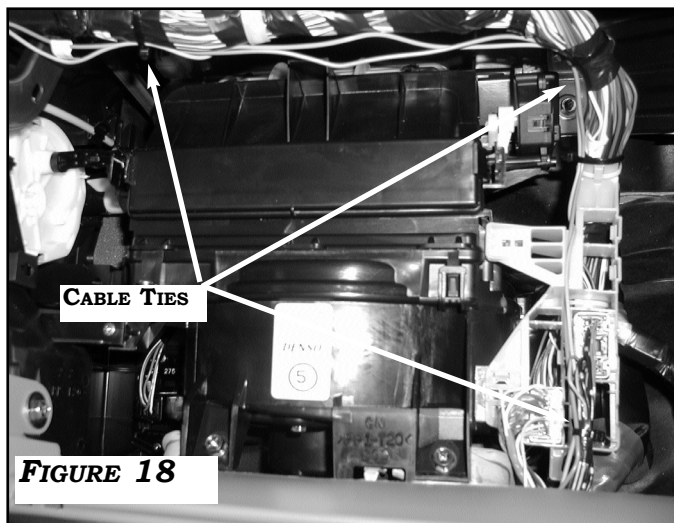
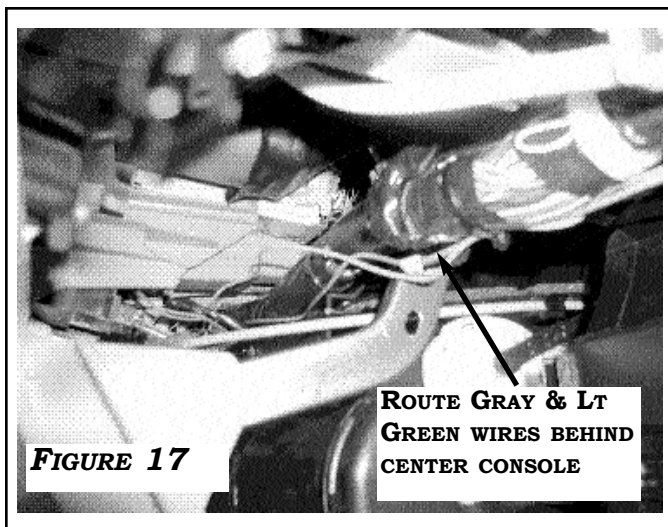
LOCATION: PASSENGER SIDE, LOCATED AT COMPUTER BENEATH PASSENGER DASH.

VSS: WHITE 35 PIN (xA CONN E5, xB CONN E4) PIN LOCATION #17, WIRE COLOR: VIOLET/WHITE

NSS: WHITE 35 PIN (xA CONN E4, xB CONN E6) PIN LOCATION #8, WIRE COLOR: BLACK (AUTOMATIC TRANSMISSION ONLY)

HARDWARE: (2) FEMALE T-TAPS

1. UNSNAP PLASTIC COVER TO GAIN ACCESS TO THE VEHICLE ECU LOCATED BENEATH THE PASSENGER SIDE GLOVEBOX.
2. ROUTE LT GREEN (NSS) AND GRAY (VSS) WIRES FROM MAIN CRUISE HARNESS ALONG THE ECU HARNESS **FIGURE 17**, BEHIND CENTER CONSOLE TOWARDS THE ECU LOCATED UNDERNEATH THE PASSENGER GLOVE BOX. **FIGURES 17 & 18.**
3. INSTALL THE **RED T-TAP** TO THE **VIOLET /WHITE** WIRE, WHITE CONNECTOR (**xA CONN E5, xB CONN E4**), PIN #17. CONNECT THE **VSS (GRAY)** WIRE TO THE T-TAP CONNECTOR. **FIGURES 19 & 20**
4. **AUTOMATIC TRANSMISSION ONLY:** INSTALL THE **RED T-TAP** TO THE **BLACK** WIRE, WHITE CONNECTOR (**xA CONN E4, xB CONN E6**), PIN #8. CONNECT THE **NSS (LT. GREEN)** WIRE TO THE T-TAP CONNECTOR. **FIGURES 19 & 20**
5. SECURE ALL WIRES UNDER DASH WITH CABLE TIES.



INSTALLATION

STEP 10: CONTROL SWITCH

LOCATION: LEFT SIDE LOWER STEERING COLUMN COVER

1. REMOVE LOWER STEERING COLUMN COVER.

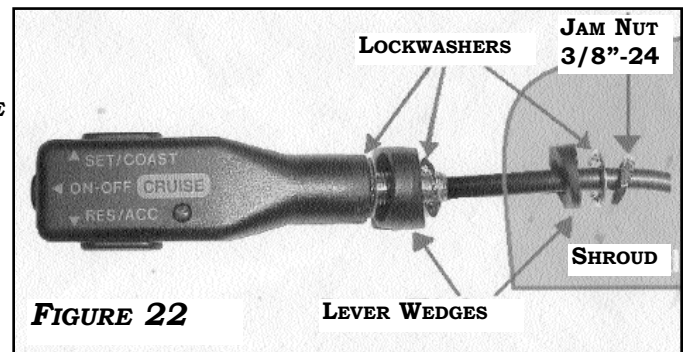
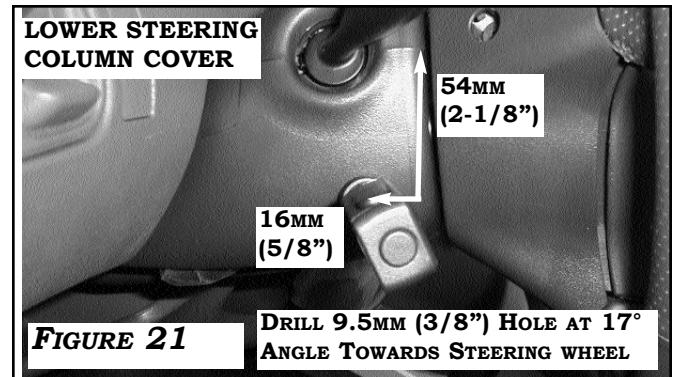
FIGURE 21

2. USING THE **LEVER WEDGE** AS AN ANGLE TEMPLATE, DRILL 9.5MM HOLE IN LOWER SHROUD AS SHOWN IN **FIGURE 21**

3. ENSURE **LEVER WEDGES** ARE ASSEMBLED AS SHOWN IN **FIGURE 22**. TO PREVENT THE CRUISE CONTROL SWITCH FROM ROTATING AND CREATING A MORE POSITIVE LOCK WHEN MOUNTING, POSITION THE LOCKWASHERS AS SHOWN IN **FIGURE 22**. START NUT AND POSITION LETTERING FOR DRIVER'S BEST VIEW. FULLY SECURE NUT AT **22-25 IN LBS. DO NOT OVERTIGHTEN.**

4. ROUTE **CONTROL SWITCH WIRE HARNESS** SO THERE IS NO INTERFERENCE WITH ANY MOVING PARTS. OPERATE TILT COLUMN IF EQUIPPED. SECURE STEERING COLUMN SHROUD.

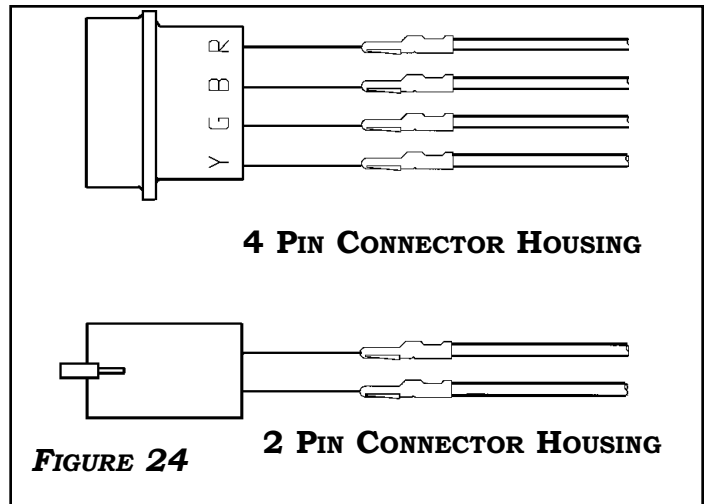
5. ENSURE THAT THE SWITCH CAN BE SEEN DURING NORMAL DRIVING SEATING POSITIONING. **FIGURE 23**



INSTALLATION

CONTROL SWITCH CONNECTION TO MODULE ASSEMBLY HARNESS

6. INSTALL 4 PIN CONNECTOR ON **RED, BROWN, GREEN, AND YELLOW** WIRES. INSTALL 2 PIN CONNECTOR ON TO **BLUE** AND **BLACK** WIRES OF SWITCH HARNESS. **NOTE: THE MATING CONNECTOR TO THIS 4 PIN CONNECTOR WILL HAVE A RED WIRE MATING TO THE BROWN WIRE, ALL OTHER COLORS SHOULD MATCH.** CONNECT 4-PIN AND 2-PIN CONNECTORS TO **MODULE ASSEMBLY HARNESS**. ENSURE THAT ALL PINS LOCK INTO CONNECTOR. **FIGURE 24**
7. SECURE **MODULE ASSEMBLY HARNESS** WITH **CABLE TIES** TO PREVENT HARNESS FROM COMING INTO CONTACT WITH **HOT, SHARP OR MOVING OBJECTS.**



STEP 10: REASSEMBLY

1. RECONNECT NEGATIVE BATTERY CABLE AND TORQUE TO **35 IN LBS.** **FIGURE 3**
2. IF EQUIPPED WITH ANTI-THEFT RADIO, REENTER THE CODE AND PRE-RECORDED STATIONS

WIRING DIAGRAM

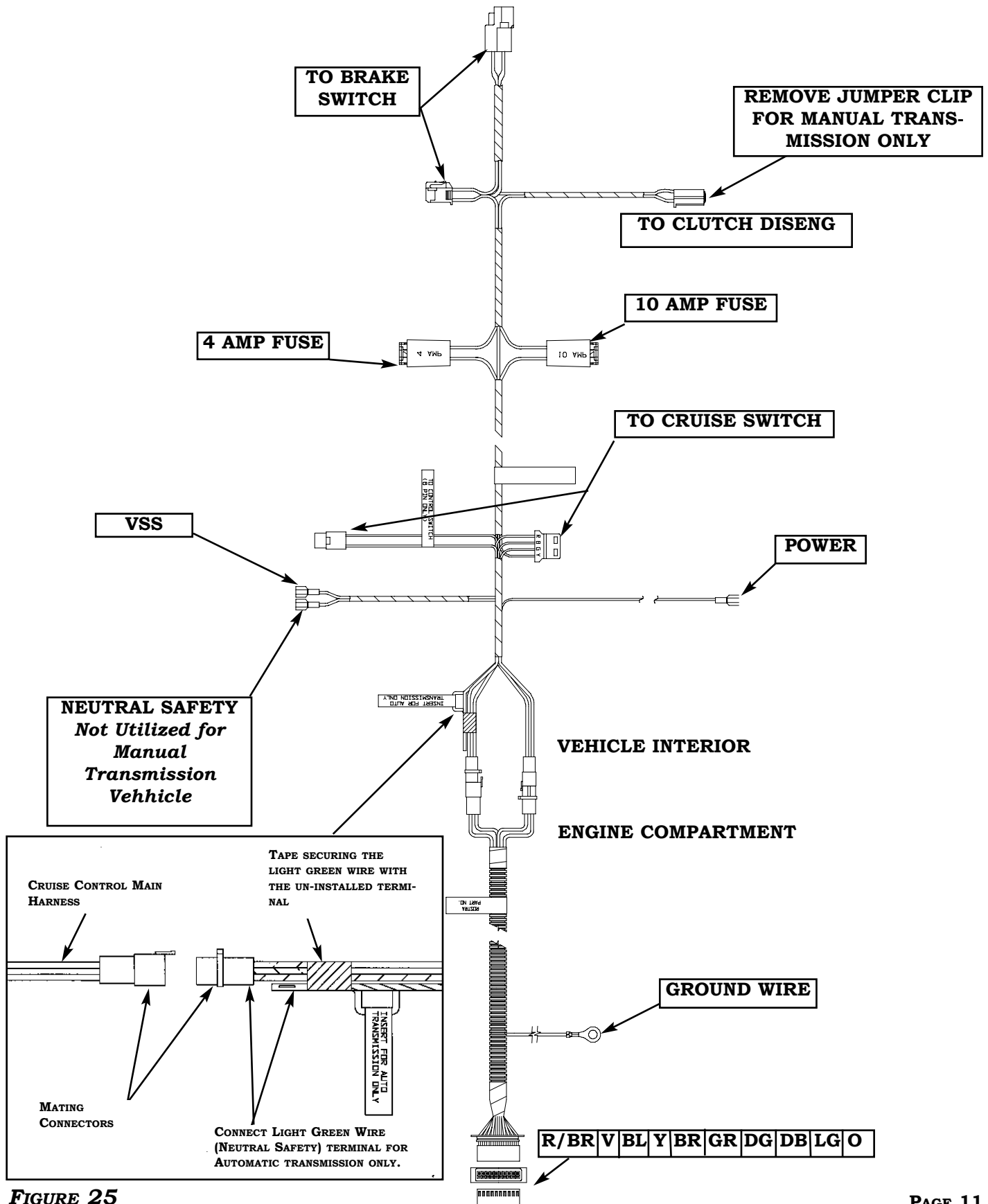


FIGURE 25

TROUBLESHOOTING

A. ELECTRICAL TESTING:

1. TESTING OF THE CRUISE CONTROL SYSTEM IS BEST DONE AT THE **(10)** WIRES AT THE CRUISE CONTROL MODULE.
2. DEPENDING UPON THE TEST BEING CONDUCTED, A VOLT OR OHM METER MUST BE USED FOR ACCURATE RESULTS. A TEST LIGHT WILL **NOT** PROVIDE ACCURATE INFORMATION IN SOME CIRCUITS BEING TESTED

WARNING: TEST LIGHTS MAY CAUSE DAMAGE TO THE VEHICLE.

3. USING A VOLT/OHM METER, CONDUCT THE FOLLOWING TESTS WHERE THE WIRING HARNESS ENTERS THE CRUISE CONTROL MODULE. **VIEW FIGURE 26 FOR WIRE COLOR AND LOCATION AT REAR OF CRUISE CONTROL MODULE.**

R/BR | V | BL | Y | BR | GR | DG | DB | LG | O

FIGURE 26

CONNECTOR AS VIEWED FROM THE HARNESS SIDE

<p>R/BR=RED/BROWN=CONTROL SWITCH POWER V=VIOLET=BRAKE LIGHT GROUND BL=BLACK=MODULE GROUND Y=YELLOW=ACCEL/RESUME DB=DARK BLUE=NO CONNECTION</p>	<p>BR=BROWN=IGNITION POWER GR=GRAY=VSS SIGNAL CIRCUIT DG=DARK GREEN=SET/COAST LG=LIGHT GREEN=NEUTRAL SAFETY O=ORANGE=NO CONNECTION</p>
--	--

TEST	FUNCTION	CONDITION	DESIRED RESULTS	OK	NG
A-1	"OFF"	IGNITION "OFF"	ZERO VOLTS AT ALL WIRES	A-2	B-1
A-2	SYSTEM POWER	CONTROL SWITCH "OFF" IGNITION "ON"	12VDC ON BROWN WIRE ONLY	A-3	B-2
A-3	CRUISE SWITCH	CONTROL SWITCH "OFF" IGNITION "ON"	12VDC ON BROWN WIRE	A-4	B-3
A-4	POWER BRAKE CIRCUIT	CONTROL SWITCH "ON" IGNITION "ON"	12VDC ON RED WIRE	A-5	B-1
A-5	SET/COAST	CONTROL SWITCH "ON" PUSH BRAKE PEDAL IGNITION "ON"	12VDC ON DARK GREEN WIRE	A-6	B-4
A-6	ACCEL/RESUME	CONTROL SWITCH "ON" PUSH SET BUTTON IGNITION "ON"	12VDC ON YELLOW WIRE	A-7	B-4
A-7	VEHICLE SPEED SENSOR	CONTROL SWITCH "ON" PUSH ACCEL BUTTON IGNITION "ON"	4.5VDC TO ZERO VOLTS ON GRAY WIRE, 3-4 TIMES IN 10 FEET	A-8	B-5
A-8	SYSTEM GROUND (OHM METER)	ROLL VEHICLE 10 FEET IGNITION "ON"	CONTINUITY TO GROUND ON BLACK WIRE	A-9	B-6
A-9	NEUTRAL SAFETY AUTOMATIC ONLY (VOLT METER)	CONTROL SWITCH "ON" IGNITION "ON" CONTROL SWITCH "ON"	ZERO TO 0.5 VOLTS IN "P" OR "N" ON LIGHT GREEN WIRE	A-10	B-7
A-10	CLUTCH SWITCH MANUAL (OHM METER)	Merge Shift Lever from "P" or "N" to any gear position IGNITION "ON" CONTROL SWITCH "ON" PUSH ON CLUTCH PEDAL	CONTINUITY TO GROUND WITH CLUTCH PEDAL NOT DEPRESSED AND " NO " CONTINUITY TO GROUND WITH CLUTCH PEDAL DEPRESSED ON THE VIOLET WIRE	C-1	B-8

TROUBLESHOOTING

B. ELECTRICAL TESTING DIAGNOSTIC:

- B-1....CHECK BRAKE LIGHT FUSE, BULBS, WIRES & CONNECTORS TO BRAKE SWITCH AND CLUTCH SWITCH IF MANUAL**
- B-2.....CHECK IGNITION SWITCH LINK WIRES, CONNECTOR AND IGNITION FUSE.**
- B-3.....CHECK IGNITION SWITCH LINK WIRES, CONNECTOR AND IGNITION FUSE, CRUISE SWITCH WIRES AND CONNECTOR.**
- B-4.....CHECK CRUISE CONTROL SWITCH WIRES AND CONNECTOR.**
- B-5.....CHECK VEHICLE ECU WIRE AND CONNECTOR, T-TAP AT VSS WIRE.**
- B-6.....CHECK VEHICLE BATTERY GROUND, MODULE GROUND WIRE CONNECTION.**
- B-7.....CHECK IGNITION LINK HARNESS, WIRES AND CONNECTOR, VEHICLE NEUTRAL SAFETY SWITCH.**
- B-8....CHECK WIRES AND CONNECTOR, CLUTCH SWITCH FOR DAMAGE AND/OR ADJUST SWITCH.**

C. MECHANICAL TESTING PROCEDURES:

C-1 VERIFY CABLE AND/OR LINKAGE:

VISUALLY INSPECT ALL RELATED PARTS OF THE THROTTLE CONNECTION. ENSURE THAT CABLE OPERATES FREELY AND ALL BRACKETS ARE SECURED AND NOT DAMAGED. REPLACE ANY DAMAGED OR WORN PARTS.

NOTES

NOTES

NOTES

OPERATING INSTRUCTIONS

SPEED CONTROL OPERATING INSTRUCTIONS

ON- To operate the cruise control, push the cruise “ON/OFF” button “ON”. (GREEN INDICATOR WILL LIGHT.) WAIT 3 SECONDS BEFORE SETTING SPEED.

SET SPEED- To engage system, drive at any speed above 33 MPH, press “SET/COAST” or press “RESUME/ACCEL” and release, then remove your foot from the accelerator pedal. AUTOMATIC CONTROL WILL BE AT THE SPEED OF THE VEHICLE WHEN BUTTON IS RELEASED PLUS OR MINUS 1- 1/2 MPH. PRESS ACCELERATOR AND SPEED WILL INCREASE, RELEASE ACCELERATOR AND YOU WILL RETURN TO SET SPEED. THE RESUME/ACCEL BUTTON WILL SET THE CRUISE CONTROL WITHOUT PRESSING THE SET BUTTON FIRST.

COAST- Press and hold the “SET/COAST” button and your speed will decrease. Release button and speed of vehicle at time button is released will be new set speed if above 33 MPH.

ACCEL- Press and hold the “RESUME/ACCEL” button and your speed will increase. Release button and you will have a new higher set speed.

TAP-UP- You can gradually increase your speed by quickly pressing and releasing the “RESUME/ACCEL” button. Each time you press and release the button your speed will increase by one to two MPH.

TAP-DOWN- You can gradually decrease your speed by quickly pressing and releasing the “SET/COAST” button. Each time you press and release the button your speed will decrease by one or two MPH.

DISENGAGE- Depress brake pedal slightly - automatic speed control will cease but set speed will stay in system’s memory. Also, you can disengage by pressing button to OFF position, but this erases the memory. To get the RESUME feature to work again, you must first set a speed. Turning off the ignition also clears the system’s memory.

RESUME- After disengaging system with brake or clutch, return to set speed by driving above 33 MPH. Then press “RESUME/ACCEL” button and release it. If acceleration rate is faster or slower than you like, drive to within a few MPH of your set speed, then press and release the RESUME/ACCEL button.

THINGS YOU SHOULD KNOW ABOUT YOUR CRUISE CONTROL

THE PERFORMANCE OF THE CRUISE CONTROL IS DEPENDENT UPON THE CONDITION OF THE ENGINE, ITS SIZE AND EVEN BY THE TYPE OF EMISSION CONTROL EQUIPMENT IT HAS. DRIVING AT HIGHER ALTITUDE WILL HAVE AN EFFECT ON THE VEHICLE CRUISE CONTROL PERFORMANCE.

UNDER NORMAL CONDITIONS AND WITH PROPER REGULATOR ADJUSTMENTS, SPEED SHOULD BE CONTROLLED WITHIN PLUS OR MINUS 1- 1/2 MPH. THERE MAY BE SITUATIONS; HOWEVER, WHICH MAKE IT SEEM AS IF THE CRUISE CONTROL IS NOT CAPABLE OF FUNCTIONING ACCURATELY, SUCH AS AN EXTRA HEAVY LOAD, A VERY STEEP HILL, OR A SEVERE HEADWIND.

CAUTION: DO NOT USE CRUISE CONTROL ON A SLIPPERY ROAD NOR IN HEAVY TRAFFIC.

CAUTION: (MANUAL TRANSMISSION) WHILE DRIVING WITH CRUISE CONTROL “ON”, DO NOT SHIFT TO NEUTRAL WITHOUT DEPRESSING THE CLUTCH PEDAL, AS THIS MAY CAUSE ENGINE RACING OR OVERREVING. IF THIS HAPPENS, DEPRESS THE CLUTCH PEDAL OR TURN “OFF” THE MAIN CRUISE CONTROL SWITCH IMMEDIATELY.

