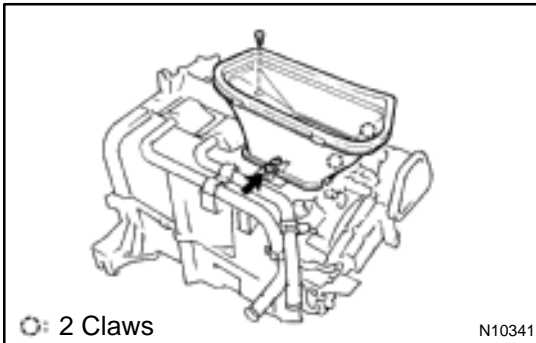


DISASSEMBLY

1. REMOVE AIR OUTLET SERVOMOTOR

Remove the 2 screws and the air outlet damper control servomotor.

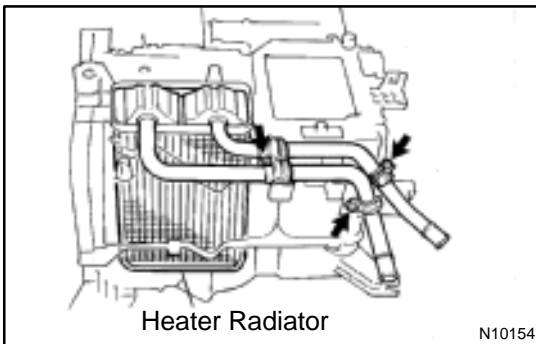
2. REMOVE AIR VENT DUCT



3. REMOVE HEATER AIR DUCT

(a) Remove the 2 screws.

(b) Release the 2 claws and remove the heater air duct.



4. REMOVE HEATER RADIATOR

(a) Remove the 3 screws and the pipe clamps.

(b) Pull out the heater radiator with heater return pipe.