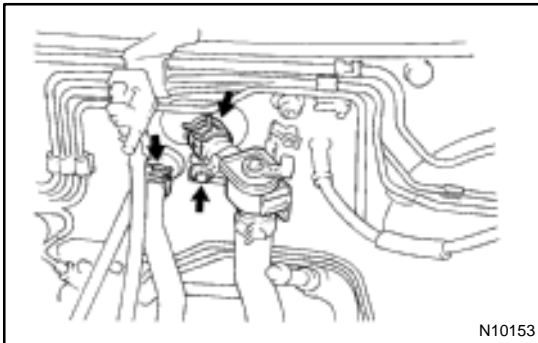


## REMOVAL

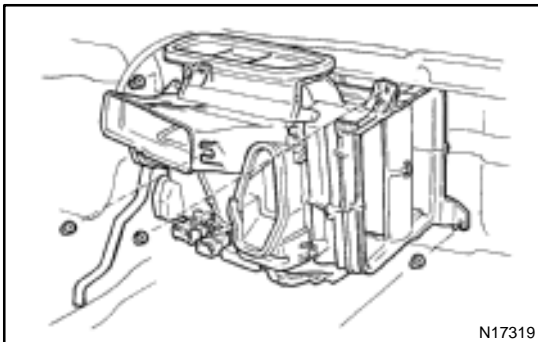
1. REMOVE COOLING UNIT (See page [AC-26](#))
2. DRAIN ENGINE COOLANT FROM RADIATOR

HINT:

It is necessary to drain out all the coolant.



3. REMOVE WATER HOSES FROM HEATER RADIATOR PIPES
  - (a) Remove the bolt and the water valve.
  - (b) Grip the claws of the hose clip with pliers and slide the clip along the hose to a place where it does not clamp the hose to the pipe.
  - (c) Disconnect the water hoses.
4. REMOVE PIPE GROMMETS
5. REMOVE INSTRUMENT PANEL AND REINFORCEMENT (See page [BO-100](#))



6. REMOVE HEATER UNIT
  - (a) Disconnect the connector.
  - (b) Remove the wire harness.
  - (c) Remove the 4 nuts and heater unit.