

TOYOTA TECHNICAL SERVICE BULLETIN

REF.: BODY
 NO.: BO001-96
 DATE: JANUARY 26, 1996
 MODEL: COR, CEL, CAM, SUP

WIRE TYPE REGULATOR SUBASSEMBLY

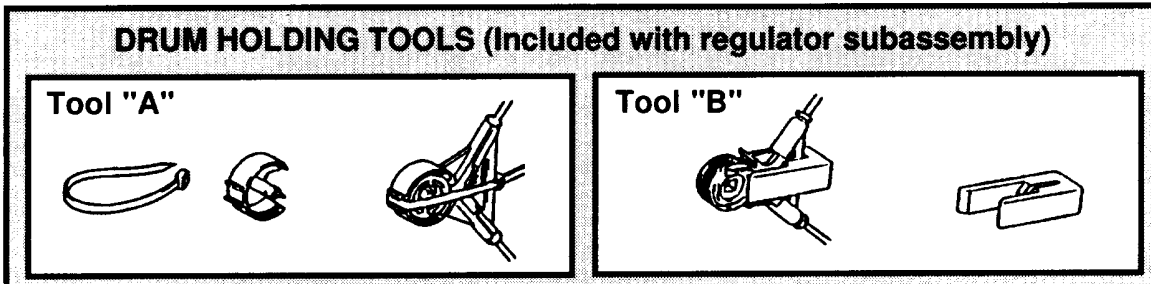
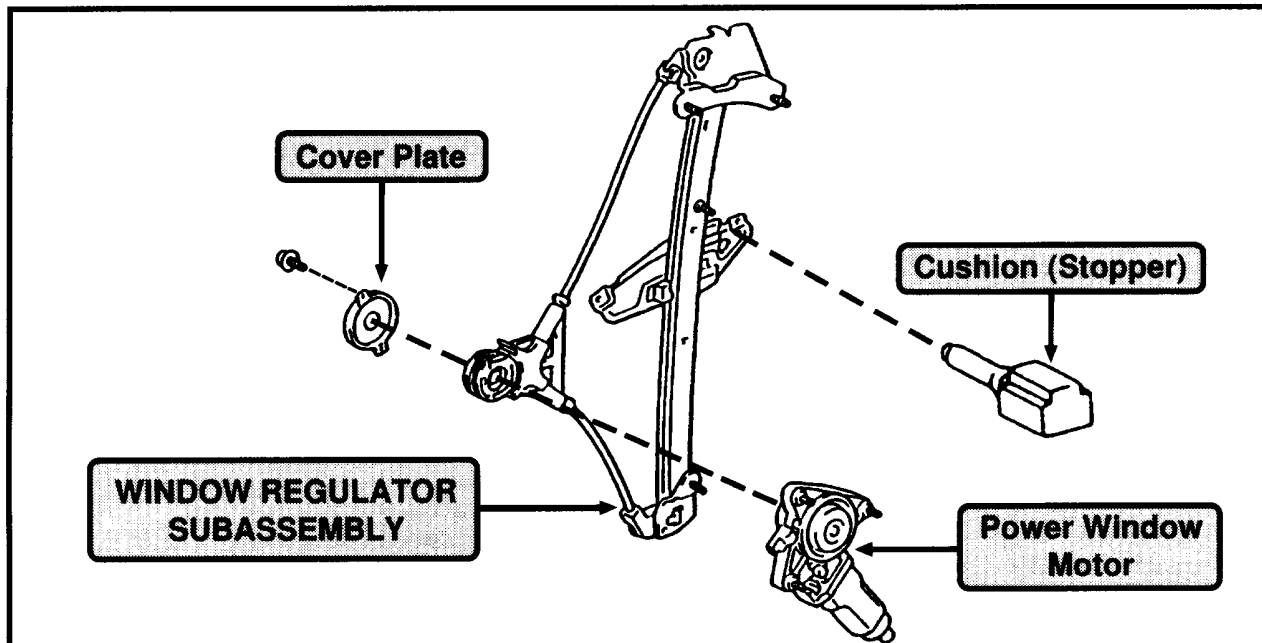
Page 1 of 6

The information contained in this TSB updates BO94-015 dated October 21, 1994.

Updates include:

- *The Screw type cover plate is not reusable for Celica and Supra.*
- *The regulator sub-assembly Part Number has been added for U.S. production Corolla and Camry*

To improve power door window serviceability on Corolla, Celica, Camry and Supra, a wire regulator subassembly is now available as separate supply parts. See illustration below.



REPAIR PROCEDURES:

- Verify motor operates properly.
- If the motor must be replaced, change the complete regulator assembly.
- If motor operates properly, replace only the regulator subassembly.

Use the following procedures when replacing the subassembly. Refer to the appropriate section of the Repair Manual for window regulator removal procedures.

WINDOW REGULATOR DISASSEMBLY:

1. Remove cover plate.

- **Screw type cover plate:**

Remove the two screws and cover plate.
(See Fig. 1)

NOTE: The screws are reusable.

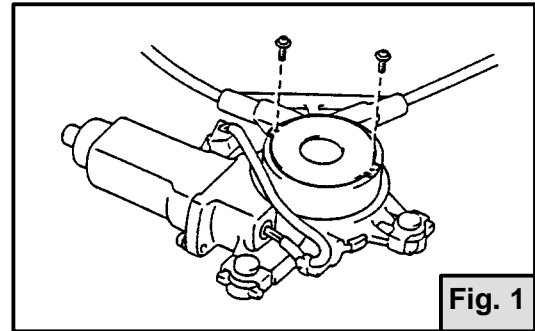


Fig. 1

- **Crimped type cover plate:**

Pry up the cover plate tab using a small flat-head screwdriver and remove the plate. Do not damage the motor housing.
(See Fig. 2)

NOTE: The cover plate is not reusable.

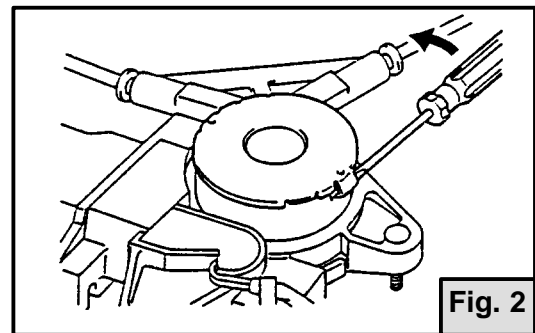


Fig. 2

2. Remove the window regulator drum and wire guide from the motor housing using needle nose pliers (See Fig. 3)

CAUTION: Do not use a flat-head screwdriver to remove the window regulator drum and wire guide.

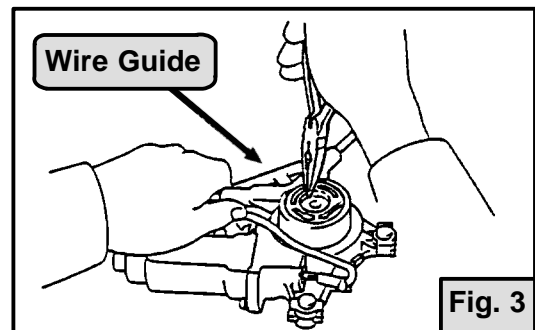


Fig. 3

WINDOW REGULATOR INSTALLATION:

1. Insert the window regulator drum into the motor housing.

NOTE: To prevent the window regulator drum and cable from coming off, do not tilt the drum, subject it to shocks or use force. If the cable comes off the drum, do not rewind the cable or reuse it. After the window regulator is installed, do not operate it by itself (some window regulators do not utilize a stopper).

Multipurpose grease (P/N 00289-1WG00) should be applied to all moving parts, especially inside the motor housing and sides of drum.

Type "A" Holding Tool –

- Apply grease inside the motor housing (See Fig. 4).
- Using holding tool "A", match the holding tool with the motor housing. (See Fig. 5)
- Push down on the wire guide and window regulator drum while inserting into motor housing.

NOTE: If you experience difficulty inserting the window regulator drum into the motor housing, slowly slide the window glass carrier bracket and align the drive shaft of the motor housing with the window regulator drum.

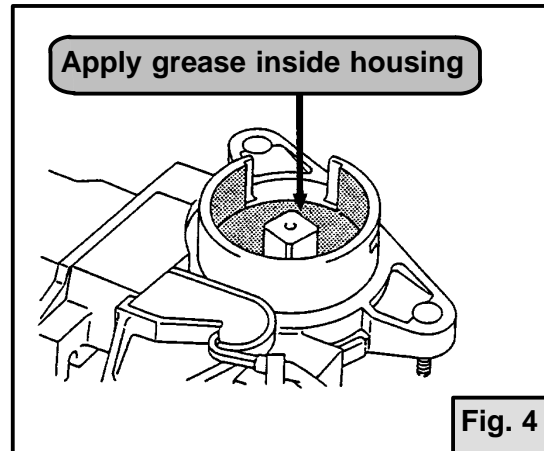


Fig. 4

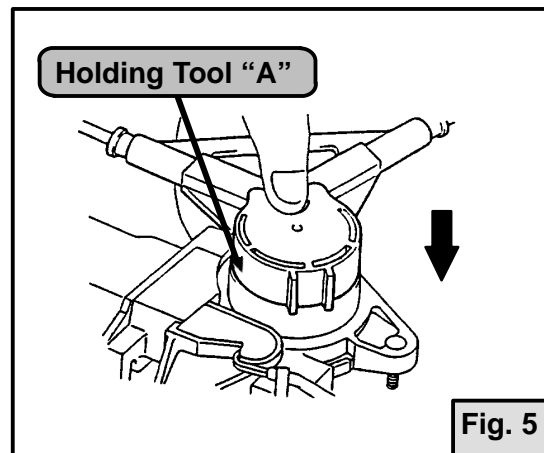


Fig. 5

WINDOW REGULATOR INSTALLATION (Cont'd):

Type "B" Holding Tool –

- Apply grease inside the motor housing.
(See Fig. 4)
- Using holding tool "B", partially insert the window regulator drum into the motor housing. (See Fig. 6)
- Remove Holding Tool "B" and push the window regulator drum into the motor housing.

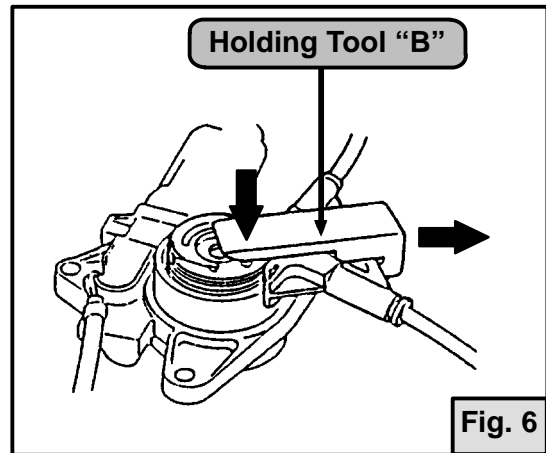


Fig. 6

NOTE: If you are experiencing difficulty inserting the window regulator drum into the motor housing, slowly slide the window glass carrier bracket and align the drive shaft of the motor housing with the window regulator drum.

- Apply grease to the sides of the window regulator drum.

2. Install the cover plate.

● **Screw Type Cover Plate**

Install the cover plate and two screws.
(See Fig. 7)

NOTE:

- Use a new cover plate.
- The two screws can be reused.

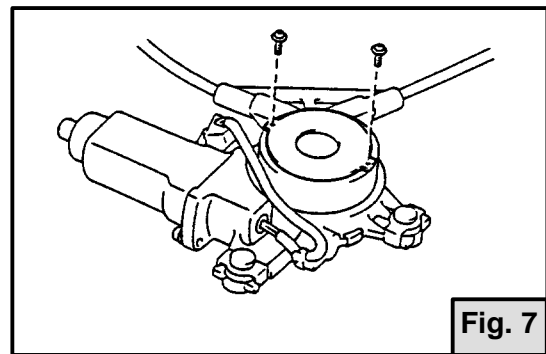


Fig. 7

● **Crimped Type Cover Plate**

Use adjustable pliers to crimp the tab of the cover plate. (See Fig. 8)

NOTE:

- Use a new cover plate.
- Do not hit the cover plate with a hammer, etc.
- Do not damage the motor housing.

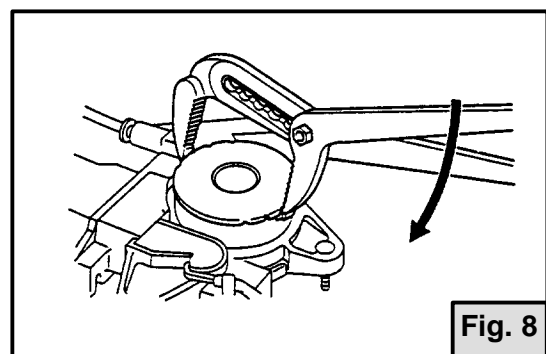


Fig. 8

PART NUMBER INFORMATION:

MODEL		PART NAME		PART NO.
Camry	4 DR Sedan (Japan)	Regulator Subassembly Front Door Window, RH		69801-32060
		Regulator Subassembly Front Door Window, LH		69802-32050
		Regulator Subassembly Rear Door Window, RH		69803-32050
		Regulator Subassembly Rear Door Window, LH		69804-32050
	4 DR Sedan & Wagon (NAP)	Regulator Subassembly Front Door Window, RH		69801-06011
		Regulator Subassembly Front Door Window, LH		69802-06011
		Regulator Subassembly Rear Door Window, RH	Sedan	69803-06010
			Wagon	69803-06020
		Regulator Subassembly Rear Door Window, LH	Sedan	69804-06010
			Wagon	69804-06020
	2 DR Coupe (NAP)	Regulator Subassembly Front Door Window, RH		69801-AA010
		Regulator Subassembly Front Door Window, LH		69802-AA010
Corolla	4 DR Sedan (Japan)	Regulator Subassembly Front Door Window, RH		69801-12140
		Regulator Subassembly Front Door Window, LH		69802-12140
	4 DR Sedan (NAP)	Regulator Subassembly Front Door Window, RH		69801-02030
		Regulator Subassembly Front Door Window, LH		69802-02030
Celica	2 DR L/B & Sport Coupe	Regulator Subassembly Front Door Window, RH		69801-20240
		Regulator Subassembly Front Door Window, LH		69802-20260
Supra	2 DR Sport Coupe	Regulator Subassembly Front Door Window, RH		69801-14110
		Regulator Subassembly Front Door Window, LH		69802-14110

NOTE:

- For all models, the regulator subassembly includes the cover plate.
- For the Camry, the regulator subassembly includes the cushion.
- First check whether the motor operates properly. If motor operates properly, replace **only** the regulator subassembly.
- If the motor must be replaced, replace the whole regulator assembly.
- When replacing the subassembly, follow the "Repair Procedures" instructions.

WARRANTY INFORMATION:

OPCODE	DESCRIPTION	TIME	OPN	T1	T2
675041	R&R Power Window Regulator Motor (front door, one side – to be used with 69801–XXXXX or 69802–XXXXX Regulator Sub–Assy. This operation includes time for R&R Front Door Power Window Regulator – one side)	*	69801–XXXXX or 69802–XXXXX	53	12
675051	R&R Power Window Regulator Motor (rear door, one side – to be used with 69803–XXXXX or 69804–XXXXX Regulator Sub–Assy. This operation includes time for R&R Rear Door Power Window Regulator – one side)	*	69803–XXXXX or 69804–XXXXX	53	12

* Refer to the applicable model in the Toyota Flat Rate manual.

Replacement of the front door window regulator under warranty is limited to correction of a problem based upon a customer’s complaint. In the unlikely event that both front window regulators have a problem, “Z” time is to be used for replacement of the opposite side. Please refer to the Toyota Warranty Policy and Procedures manual, Policy 8.14 for additional details.

For additional information on Camry front door window regulators, refer to TSB BO95–009 (dated September 22, 1995)