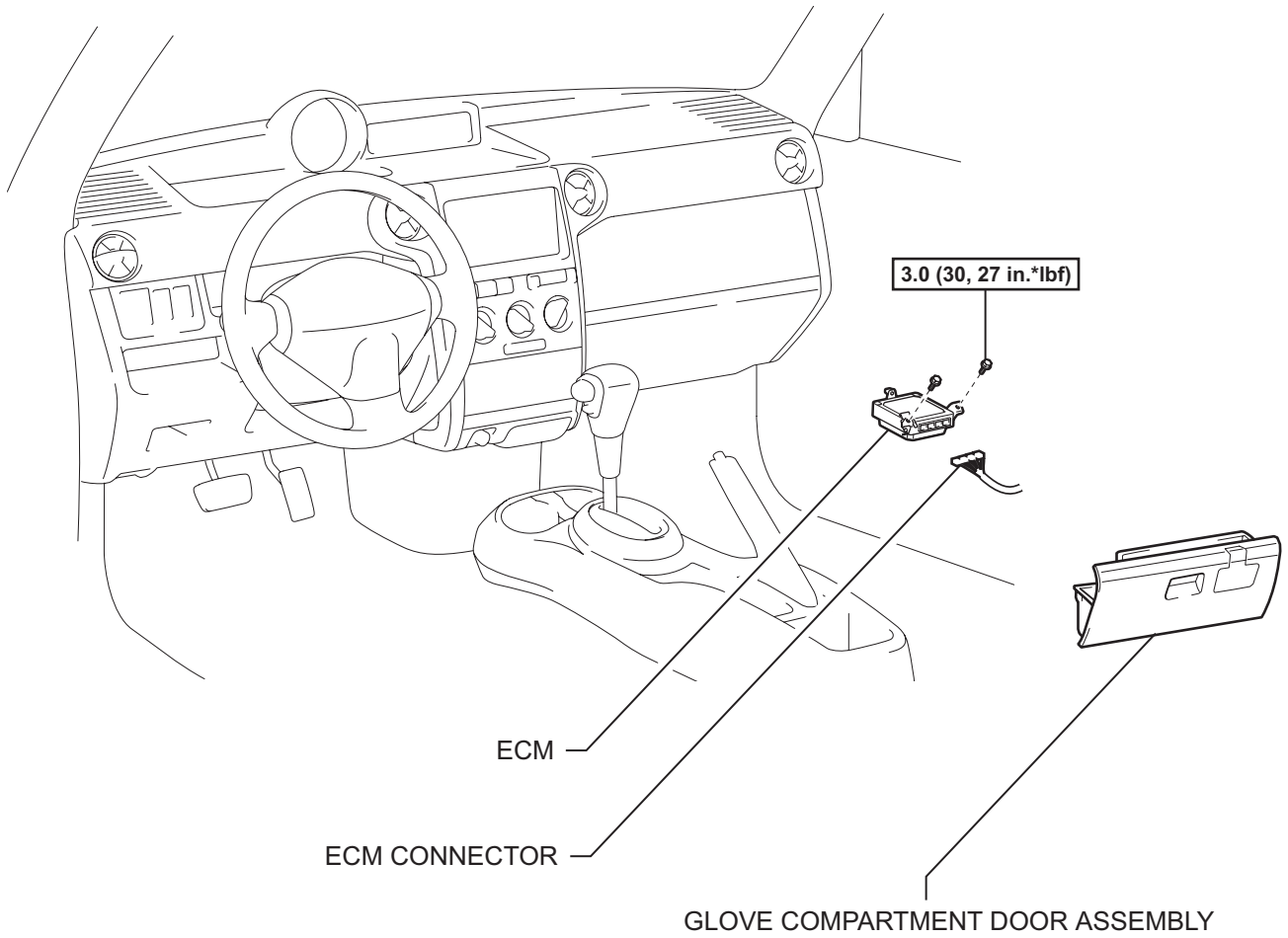


# ECM COMPONENTS

ES



**N\*m (kgf\*cm, ft.\*lbf)** : Specified torque

## ON-VEHICLE INSPECTION

1. **CHECK ECM**
  - (a) Check the ECM (see page [ES-30](#)).