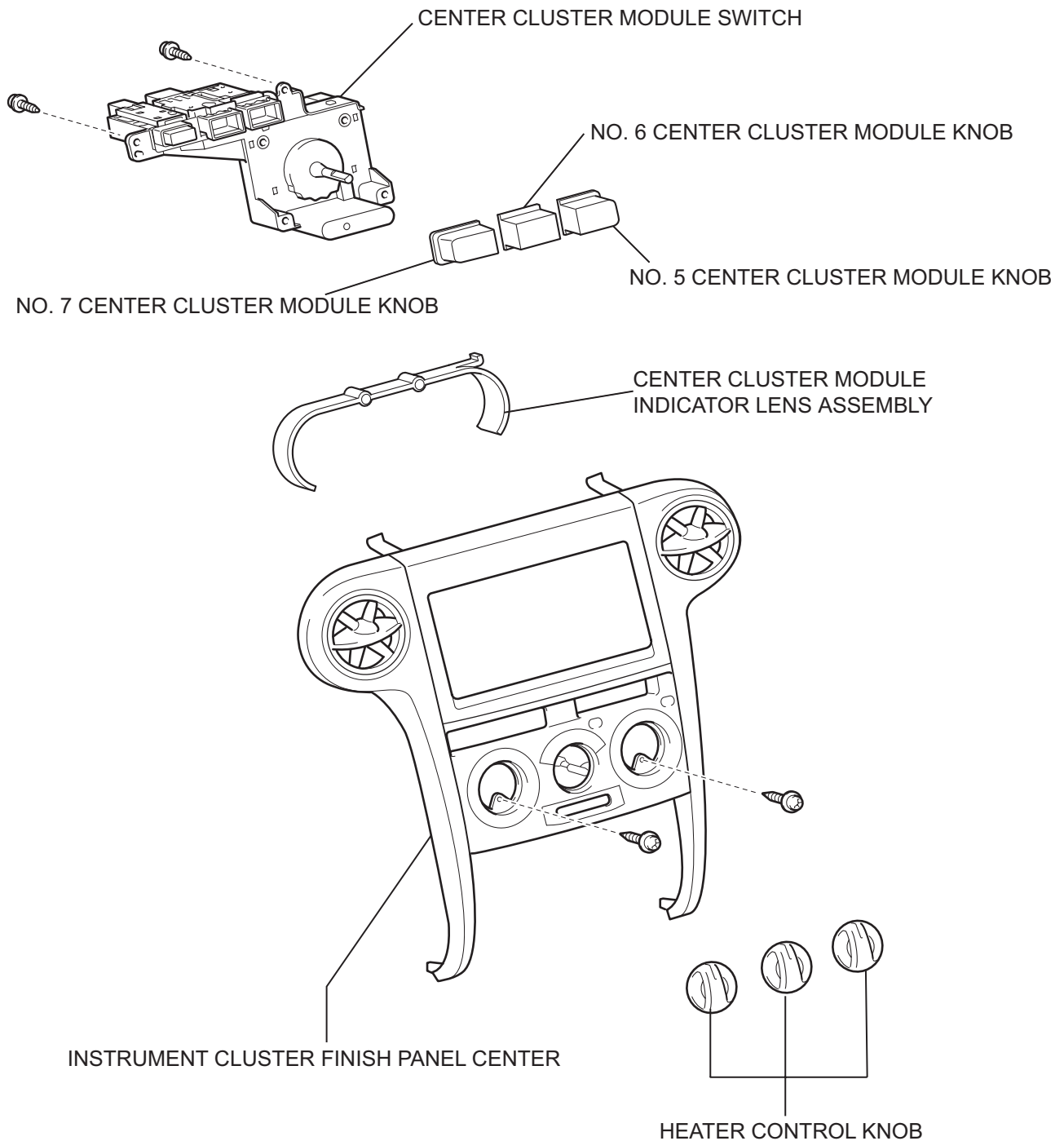


CENTER CLUSTER MODULE SWITCH

COMPONENTS



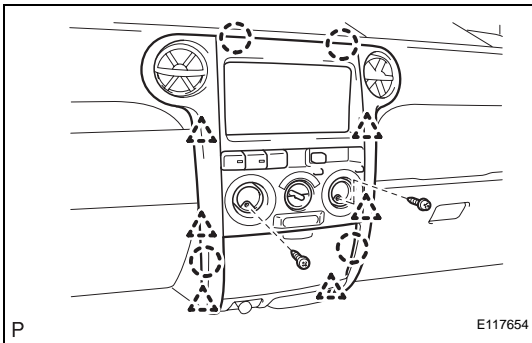
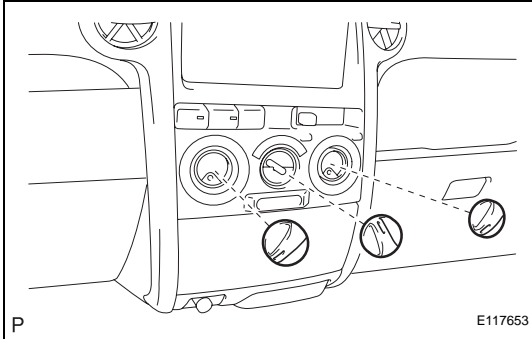
REMOVAL

1. **DISCONNECT CABLE FROM NEGATIVE BATTERY TERMINAL**

CAUTION:

Wait at least 90 seconds after disconnecting the cable from the negative (-) battery terminal to prevent airbag and seat belt pretensioner activation.

2. **REMOVE HEATER CONTROL KNOB**
 - (a) Remove the 3 heater control knobs.

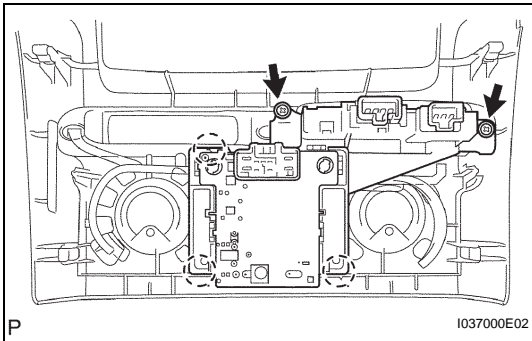


3. **REMOVE INSTRUMENT CLUSTER FINISH PANEL CENTER**

- (a) Remove the 2 screws.
- (b) Detach the 6 clips and 4 claws, and then remove the instrument cluster finish panel.
- (c) Disconnect the connectors.

4. **REMOVE CENTER CLUSTER MODULE SWITCH**

- (a) Remove the 2 screws.
- (b) Detach the 3 claws and remove the center cluster module switch.



DISASSEMBLY

1. **REMOVE NO. 7 CENTER CLUSTER MODULE KNOB**

- (a) Detach the 3 claws and remove the center cluster module knob.

