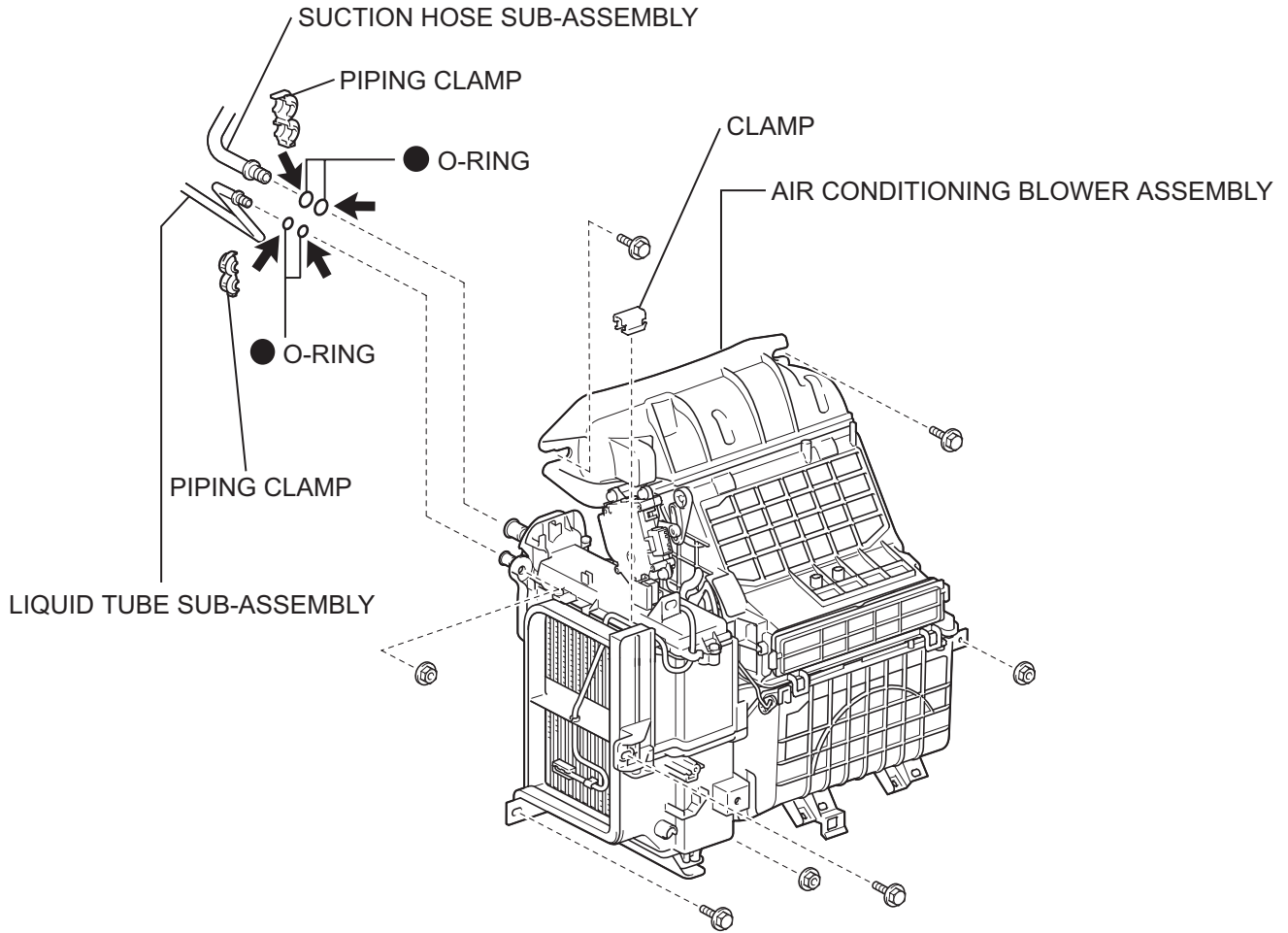


# AIR CONDITIONING AND BLOWER UNIT

## COMPONENTS



$\boxed{N*m (kgf*cm, ft.*lbf)}$  : Specified torque

● Non-reusable part

← Compressor oil ND-OIL 8 or equivalent

