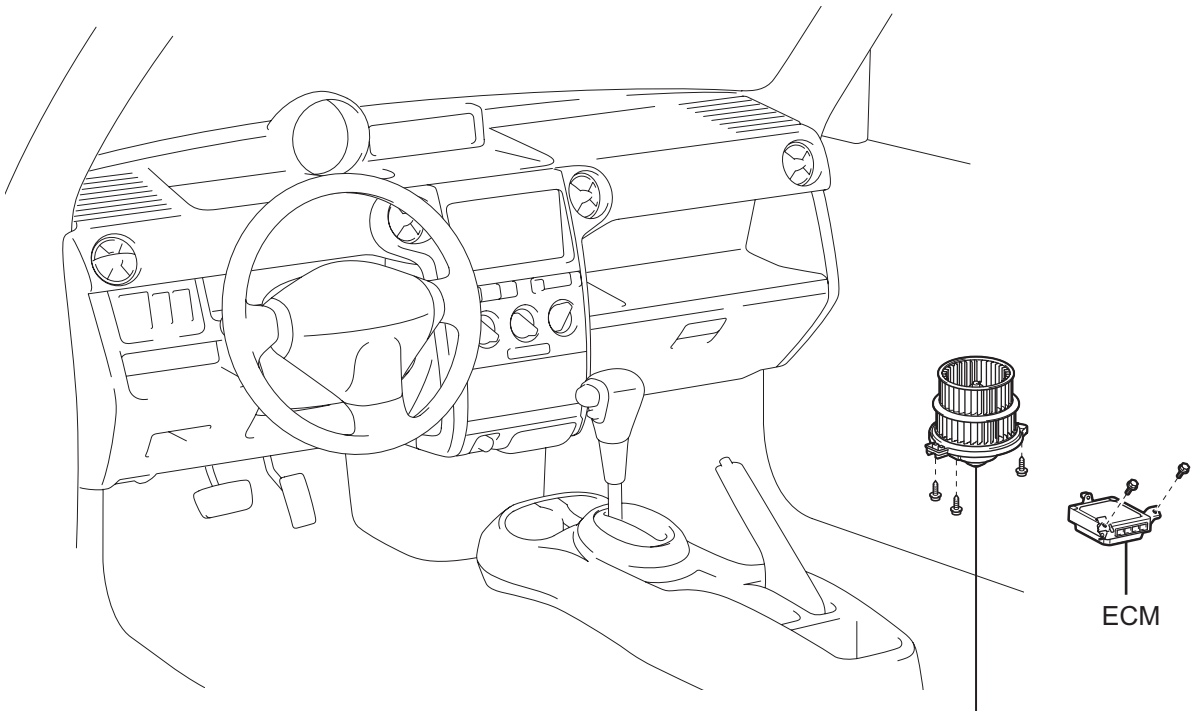


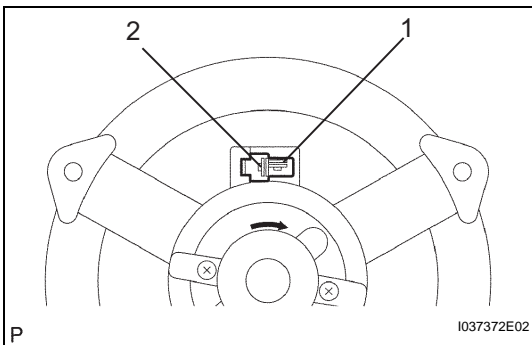
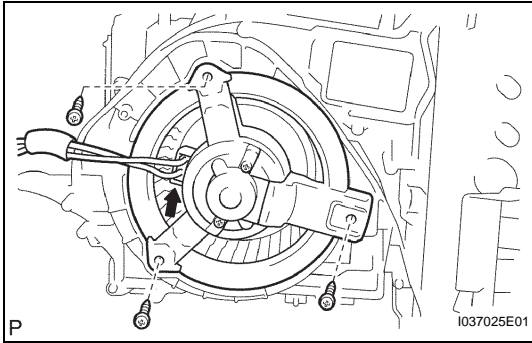
BLOWER MOTOR COMPONENTS



BLOWER WITH FAN MOTOR SUB-ASSEMBLY

REMOVAL

1. REMOVE ECM COVER (See page [AC-52](#))
2. REMOVE ECM (See page [AC-52](#))
3. REMOVE BLOWER WITH FAN MOTOR SUB-ASSEMBLY
 - (a) Disconnect the connector.
 - (b) Remove the 3 screws and blower motor.



INSPECTION

1. INSPECT BLOWER WITH FAN MOTOR SUB-ASSEMBLY
 - (a) Connect the positive (+) lead from the battery to terminal 2 and negative (-) lead to terminal 1, then check that the motor operates smoothly. If the result is not as specified, replace the blower motor.

INSTALLATION

1. INSTALL BLOWER WITH FAN MOTOR SUB-ASSEMBLY
 - (a) Install the blower motor with the 3 screws.
 - (b) Connect the connector.
2. INSTALL ECM (See page [AC-60](#))
3. INSTALL ECM COVER (See page [AC-60](#))

