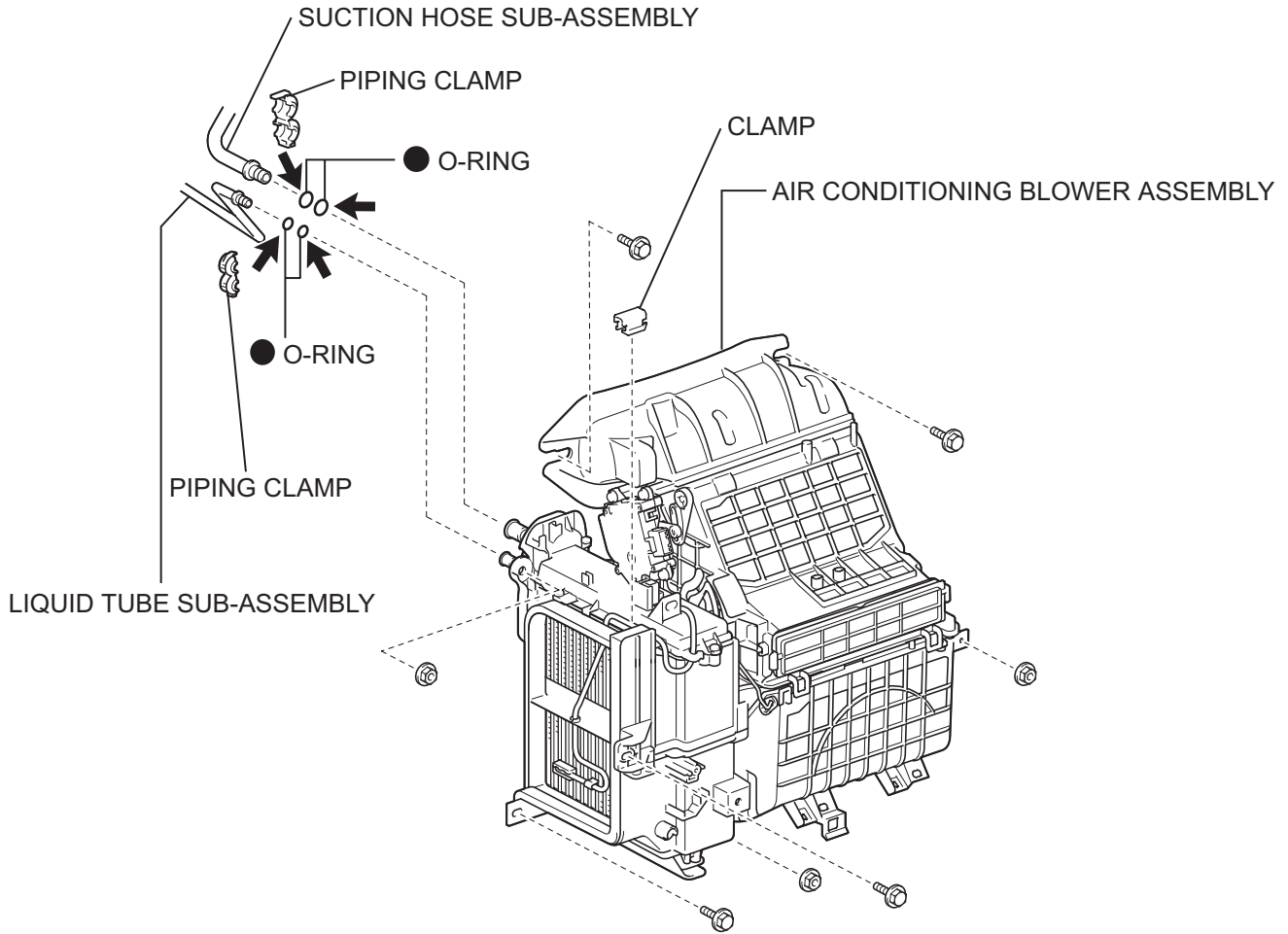


EVAPORATOR TEMPERATURE SENSOR

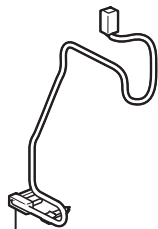
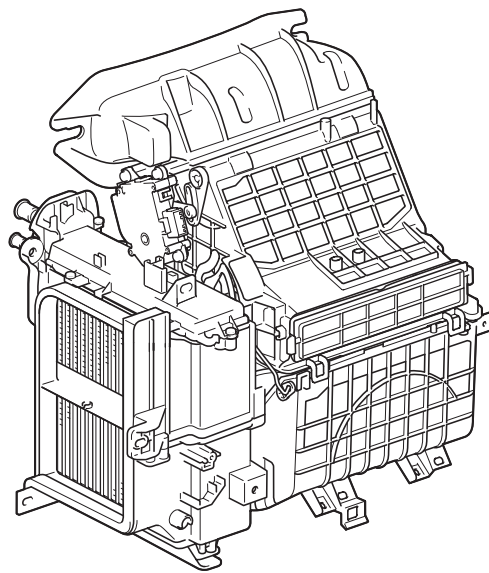
COMPONENTS



$N \cdot m$ (kgf \cdot cm, ft. \cdot lbf) : Specified torque

● Non-reusable part

← Compressor oil ND-OIL 8 or equivalent



COOLER THERMISTOR