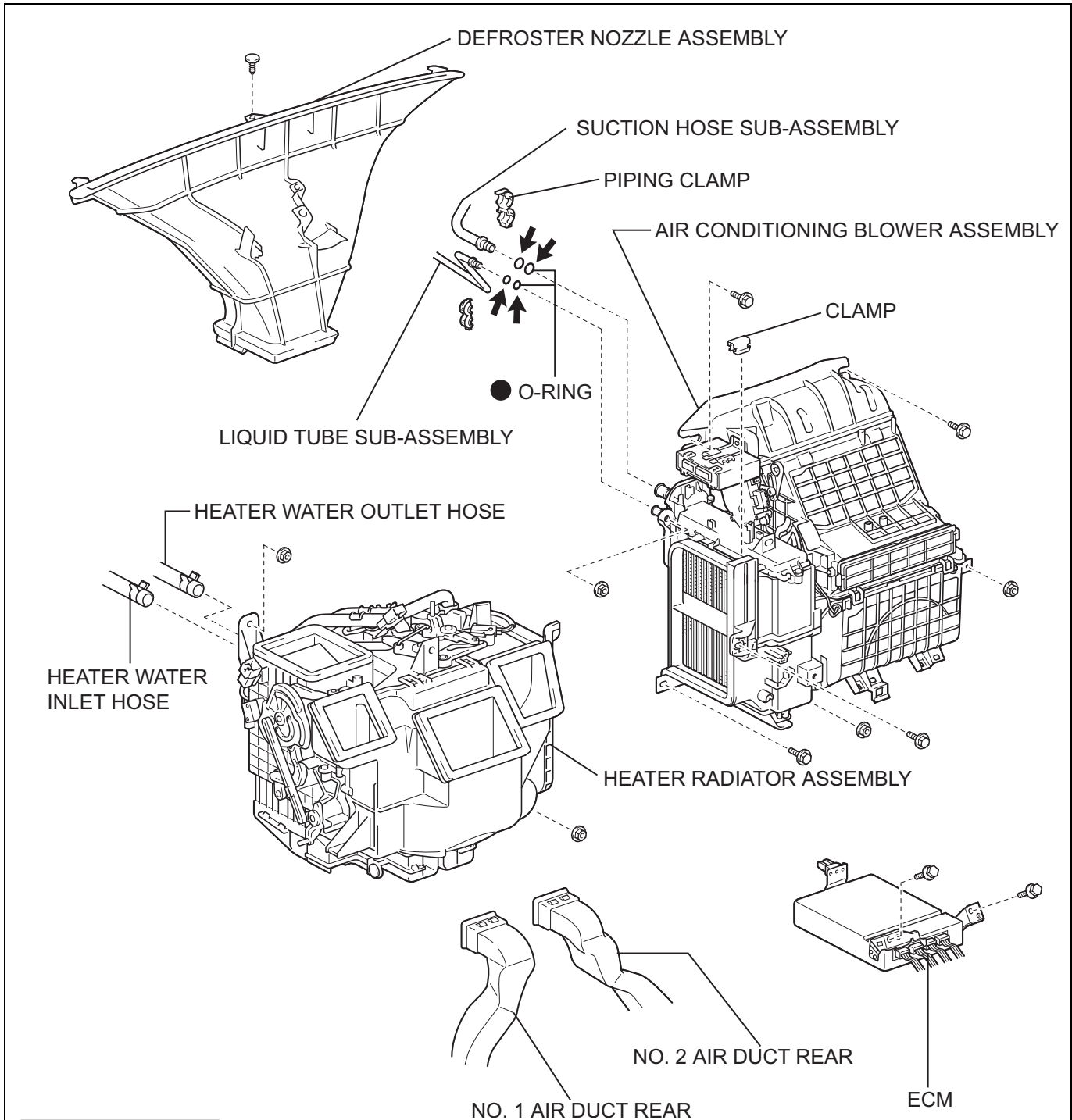


# THERMISTOR ASSEMBLY

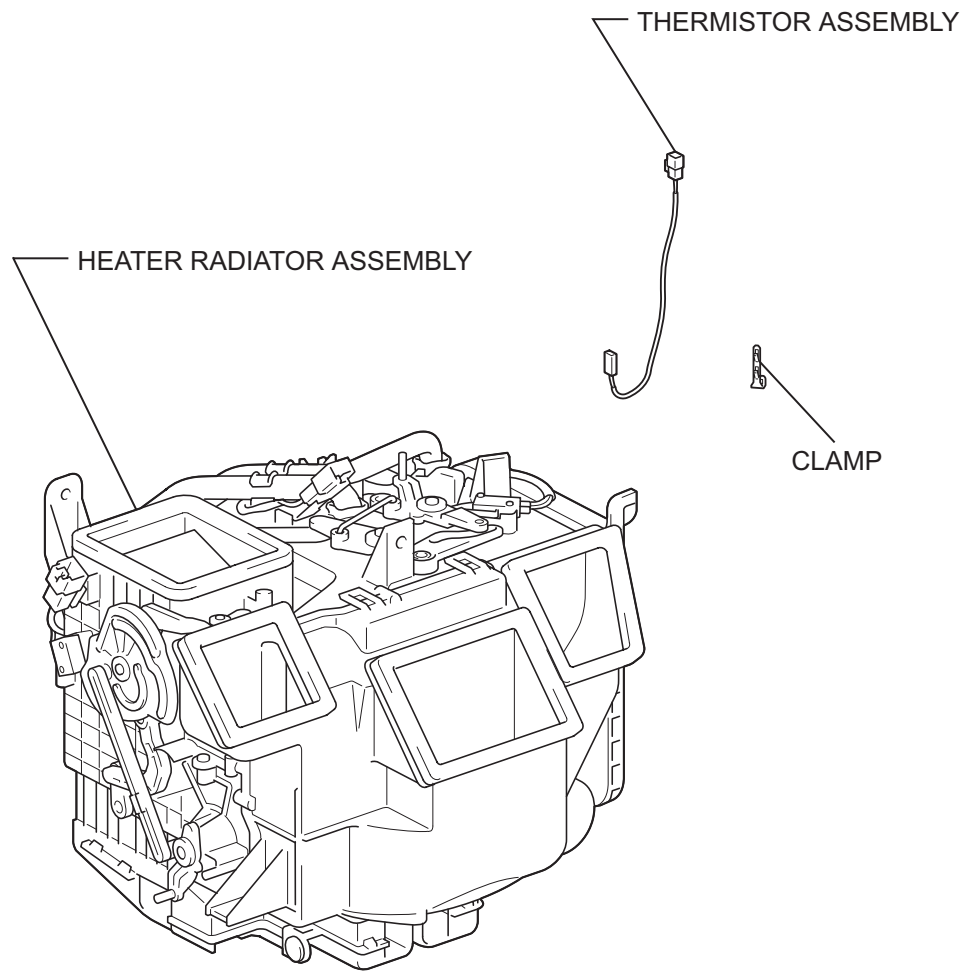
## COMPONENTS



$N \cdot m$  (kgf $\cdot$ cm, ft. $\cdot$ lbf) : Specified torque

● Non-reusable part

← Compressor oil ND-OIL 8 or equivalent



E116416E03