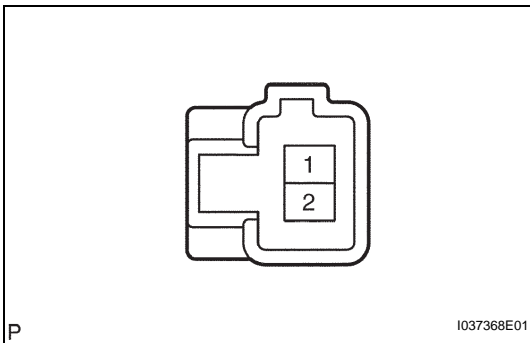
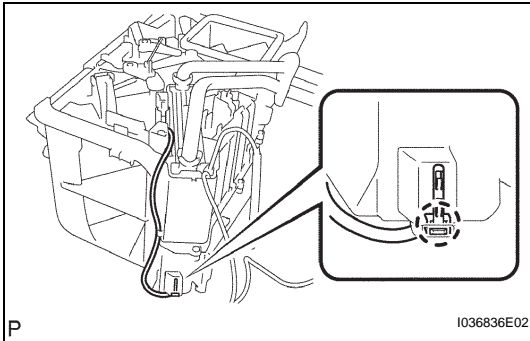


REMOVAL

1. **REMOVE HEATER RADIATOR ASSEMBLY**
 - (a) Remove the heater radiator (see page [AC-70](#)).
2. **REMOVE THERMISTOR ASSEMBLY**
 - (a) Detach the claw and remove the clamp.
 - (b) Remove the thermistor.



INSPECTION

1. **INSPECT THERMISTOR ASSEMBLY**
 - (a) Measure the resistance between terminals 1 and 2 of thermistor.

Standard resistance

Condition	Specified Condition
Approx. -30°C (-86°F)	80 to 100 kΩ
Approx. 25°C (77°F)	4.8 to 5.2 kΩ
Approx. 40°C (104°F)	2.507 to 2.807 kΩ
Approx. 100°C (212°F)	0.3 to 0.37 kΩ

If the result is not as specified, replace the thermistor.

INSTALLATION

1. **INSTALL THERMISTOR ASSEMBLY**
 - (a) Install the thermistor.
 - (b) Install the clamp and attach the claw.
2. **INSTALL HEATER RADIATOR ASSEMBLY**
 - (a) Install the heater radiator (see page [AC-74](#)).

