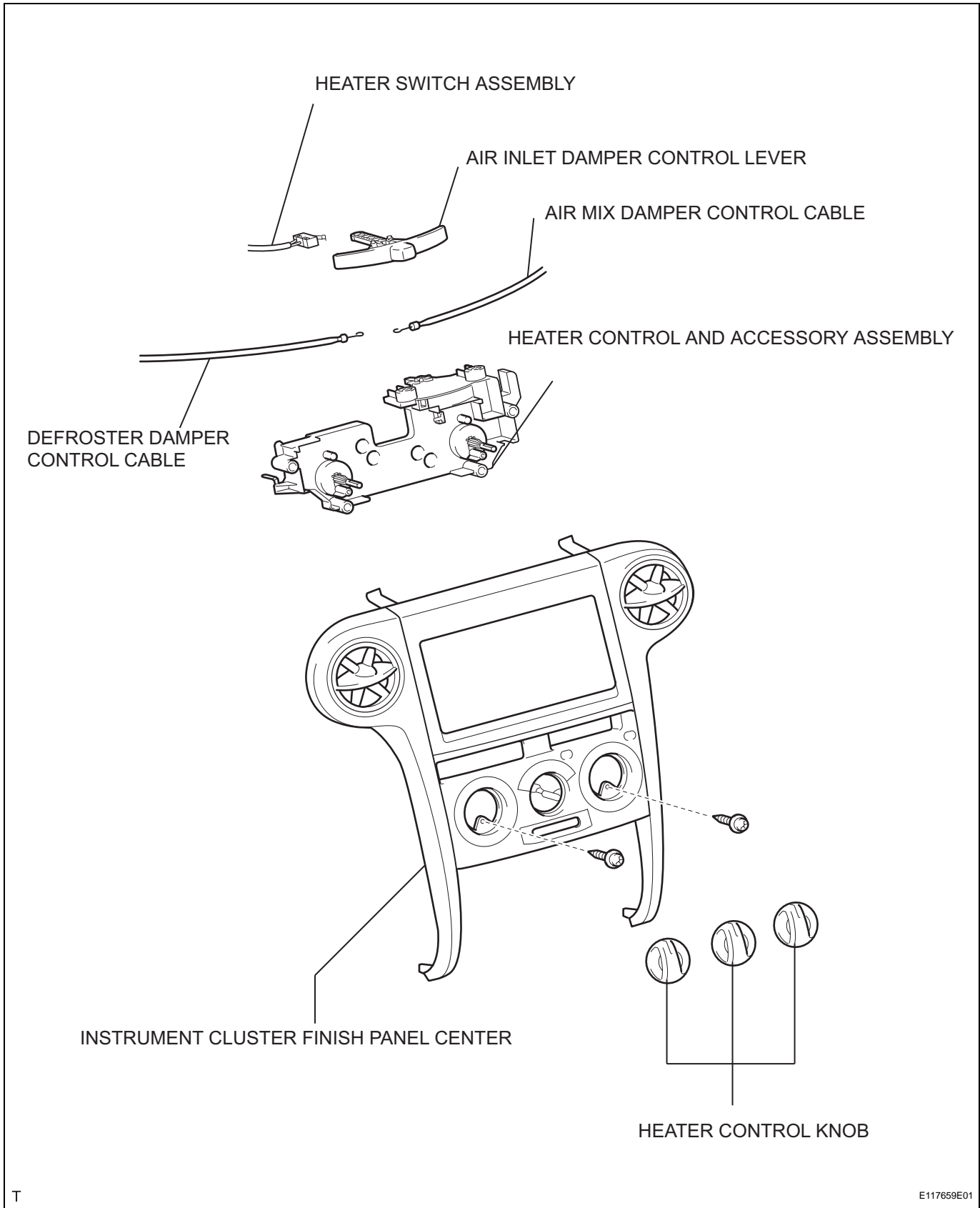


# HEATER CONTROL ASSEMBLY

## COMPONENTS



## REMOVAL

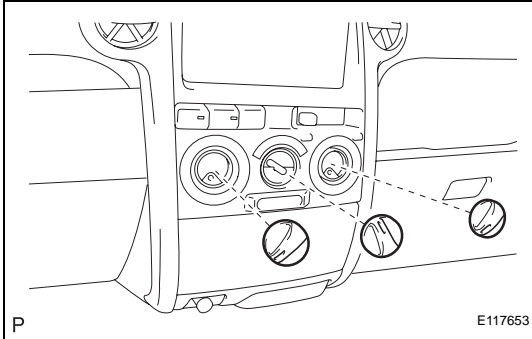
1. **DISCONNECT CABLE FROM NEGATIVE BATTERY TERMINAL**

**CAUTION:**

Wait at least 90 seconds after disconnecting the cable from the negative (-) battery terminal to prevent airbag and seat belt pretensioner activation.

2. **REMOVE HEATER CONTROL KNOB**

(a) Remove the 3 heater control knobs.

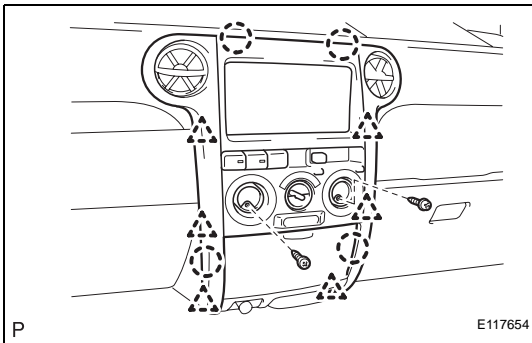


3. **REMOVE INSTRUMENT CLUSTER FINISH PANEL CENTER**

(a) Remove the 2 screws.

(b) Detach the 6 clips and 4 claws, and then remove the instrument cluster finish panel.

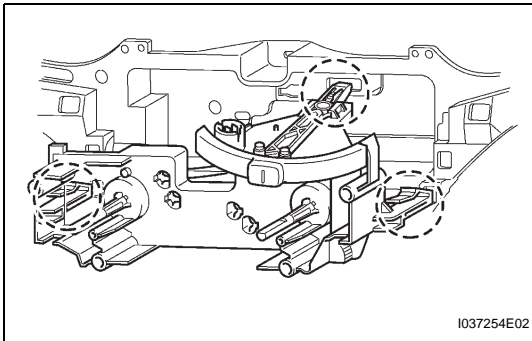
(c) Disconnect the connectors.



4. **REMOVE HEATER CONTROL AND ACCESSORY ASSEMBLY**

(a) Detach the 3 screws and disconnect the heater control and accessory assembly.

(b) Disconnect the connector.



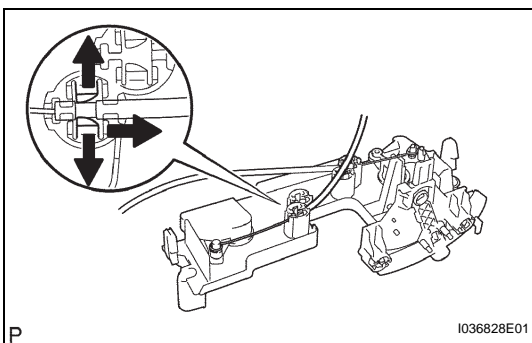
(c) Using a screwdriver, detach the claw of the cable clamp and disconnect the defroster damper control cable.

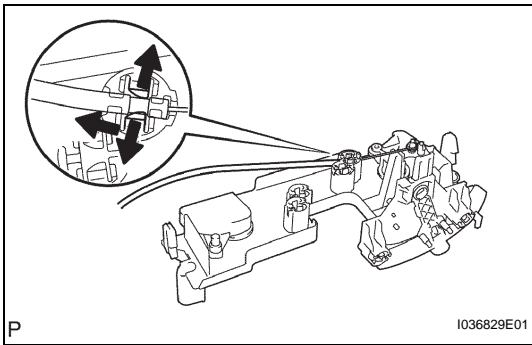
**NOTICE:**

- Be careful not to bend the cable wire.
- If the cable wire bends, the defroster damper control cable operation may be affected.

**HINT:**

Tape the screwdriver tip before use.





- (d) Using a screwdriver, detach the claw of the cable clamp and disconnect the air mix damper control cable.

**NOTICE:**

- Be careful not to bend the cable wire.
- If the cable wire bends, the air mix damper control cable operation may be affected.

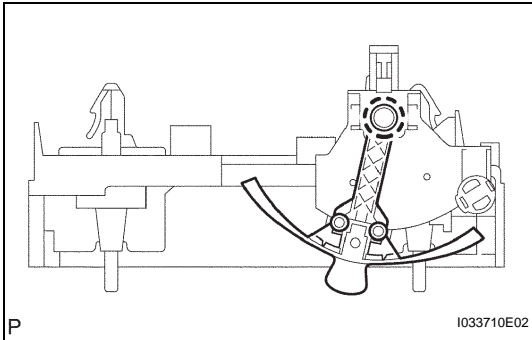
**HINT:**

Tape the screwdriver tip before use.

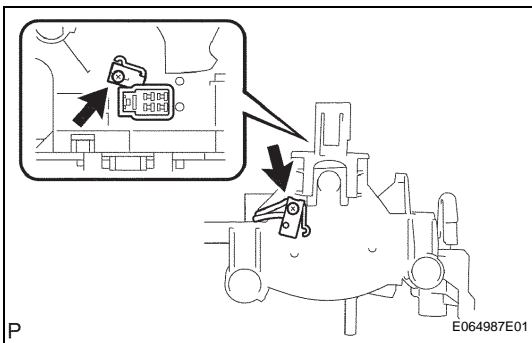
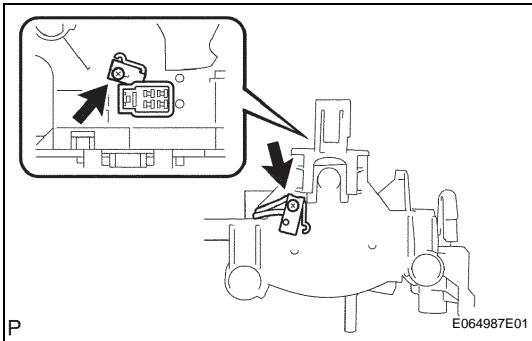
- (e) Remove the heater control and accessory assembly.

**5. REMOVE AIR INLET DAMPER CONTROL LEVER**

- (a) Detach the claw, and remove the air inlet damper control lever.

**6. REMOVE HEATER SWITCH ASSEMBLY**

- (a) Remove the 2 screws and heater switch.

**INSTALLATION****1. INSTALL HEATER SWITCH ASSEMBLY**

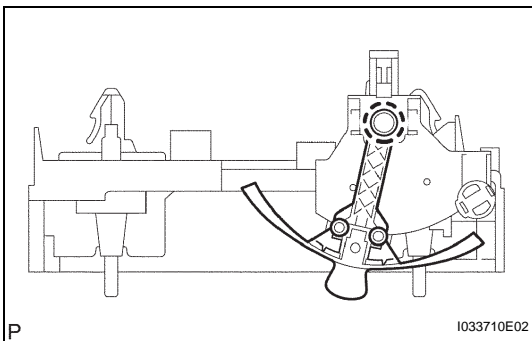
- (a) Install the heater switch with the 2 screws.

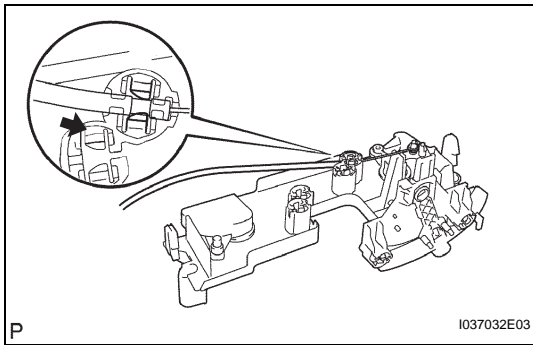
**2. INSTALL AIR INLET DAMPER CONTROL LEVER**

- (a) Attach the claw to install the air inlet damper control lever.

**3. INSTALL HEATER CONTROL AND ACCESSORY ASSEMBLY**

- (a) Connect the inner cable end of the air mix damper control cable on the heater control and accessory assembly.





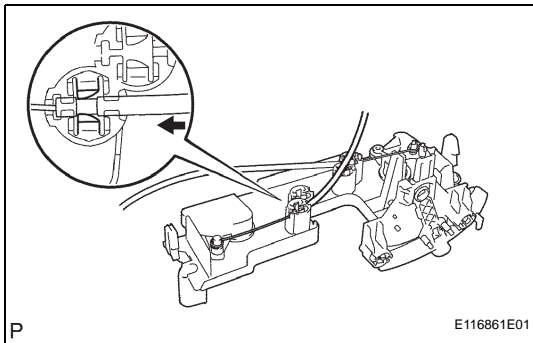
- (b) Connect the outer cable of the air mix damper control cable on the cable clamp.

**NOTICE:**

- **Be careful not to bend the cable wire.**
- **If the cable wire bends, the air mix damper control cable operation may be affected.**

**HINT:**

- Operating the heater control knob, check that it properly stops at both ends of MAX. COOL and MAX. HOT, and no recoil is identified.
- Check that the outer cable is not detached (moved) from the heater control and accessory assembly when the cable is pulled.



- (c) Connect the inner cable end of the defroster damper control cable on the heater control and accessory assembly.

- (d) Connect the outer cable of the defroster damper control cable on the cable clamp.

**NOTICE:**

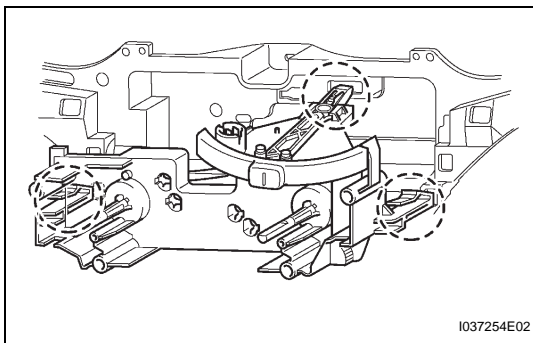
- **Be careful not to bend the cable wire.**
- **If the cable wire bends, the heater control and accessory assembly operation may be affected.**

**HINT:**

- Operating the heater control knob, check that it properly stops at both ends of FACE and DEF, and no recoil is identified.
- Check that the outer cable is not detached (moved) from the heater control and accessory assembly when the cable is pulled.

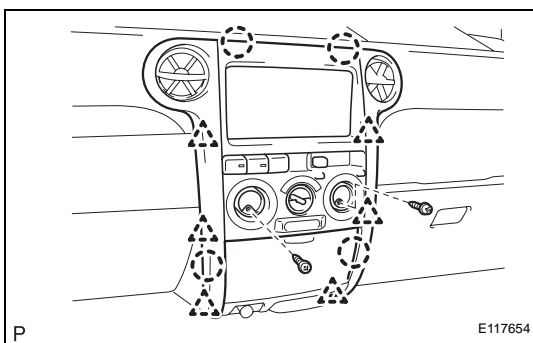
- (e) Connect the connector and install the heater control and accessory assembly.

- (f) Connect the heater control and accessory assembly, and attach the 3 screws.



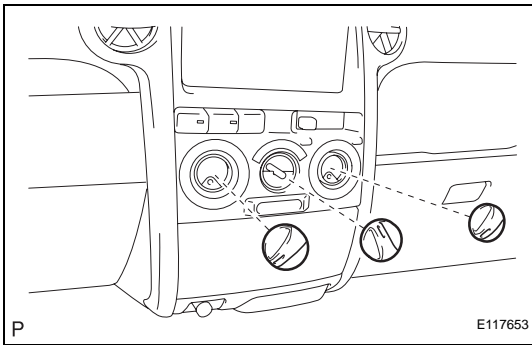
**4. INSTALL INSTRUMENT CLUSTER FINISH PANEL CENTER**

- (a) Connect the connectors.



- (b) Attach the 6 clips and 4 claws to install the instrument cluster finish panel.

- (c) Install the 2 screws.



5. **INSTALL HEATER CONTROL KNOB**
  - (a) Install the 3 heater control knobs.
6. **CONNECT CABLE TO NEGATIVE BATTERY TERMINAL**