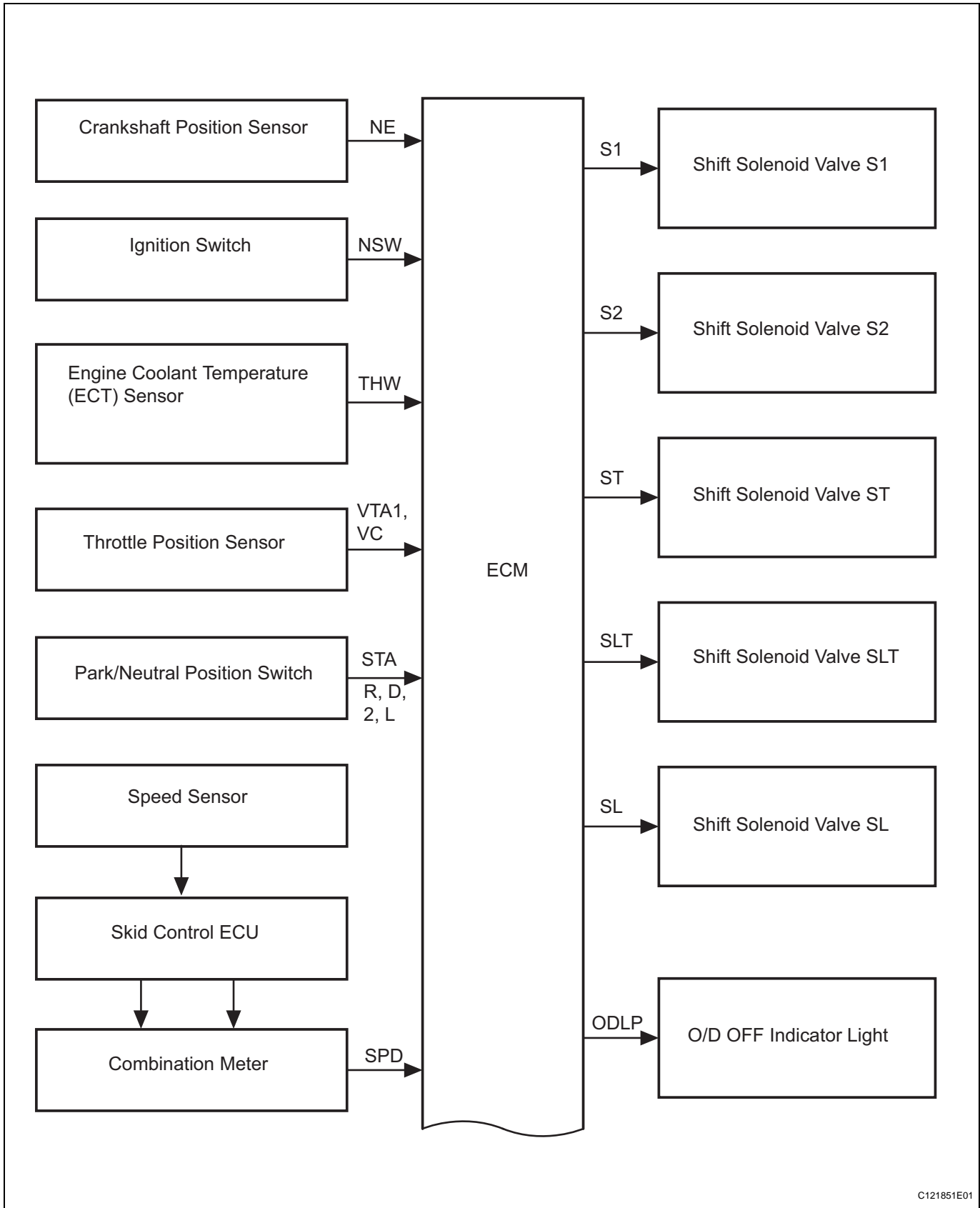
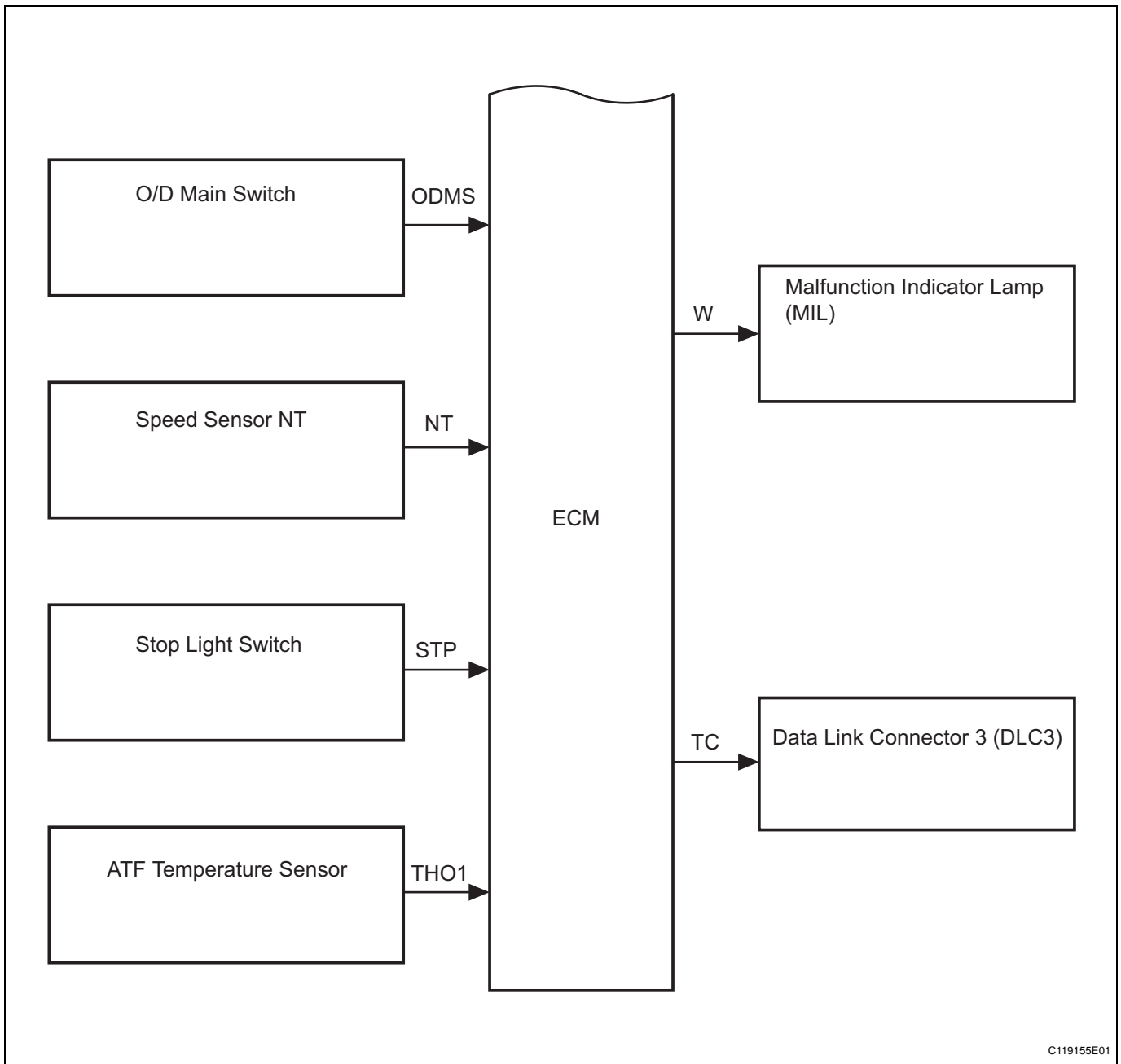


# SYSTEM DIAGRAM

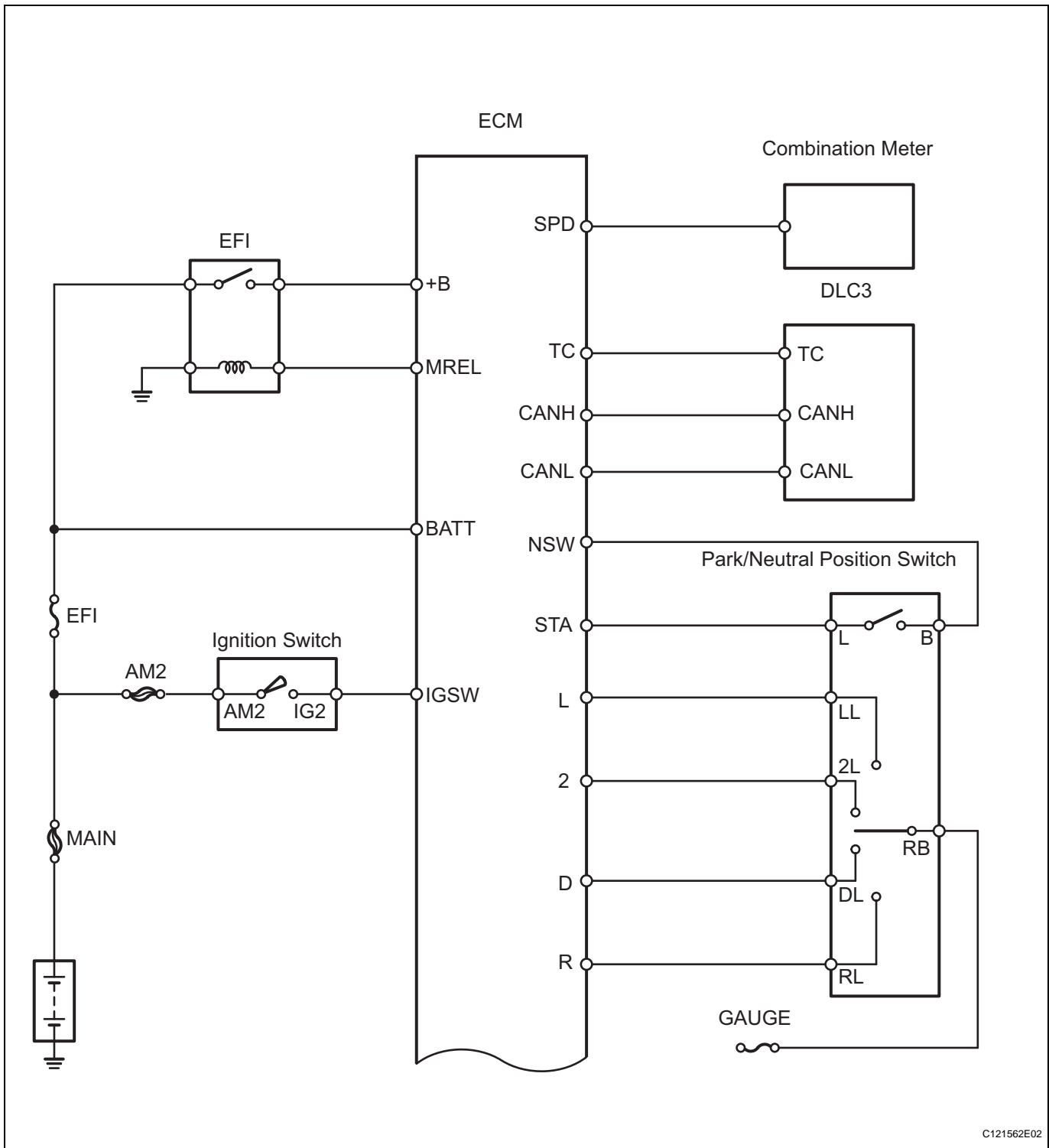
The configuration of the electronic control system in the U340E automatic transaxle is as shown in the following chart.



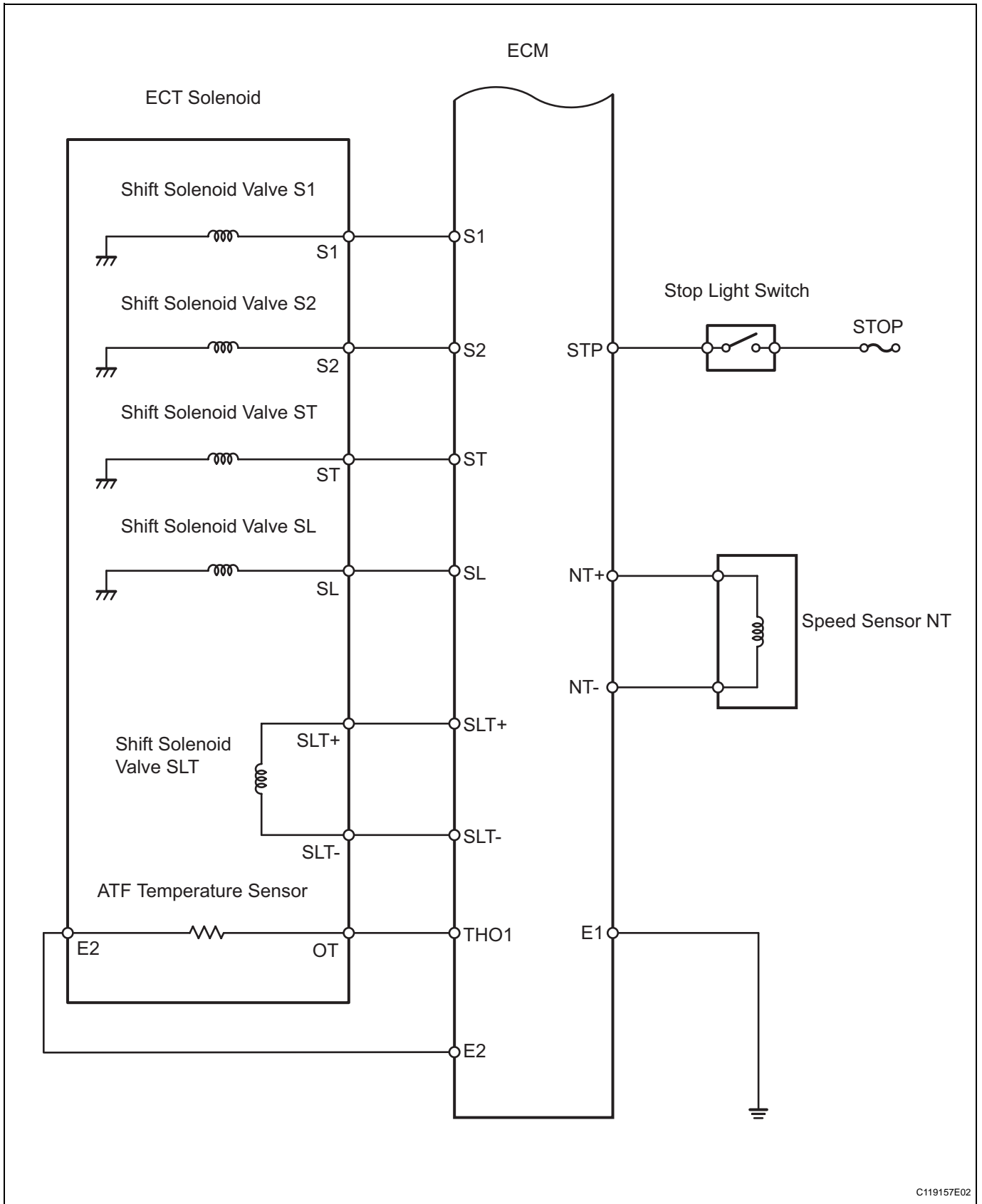


C119155E01

AX



AX



AX