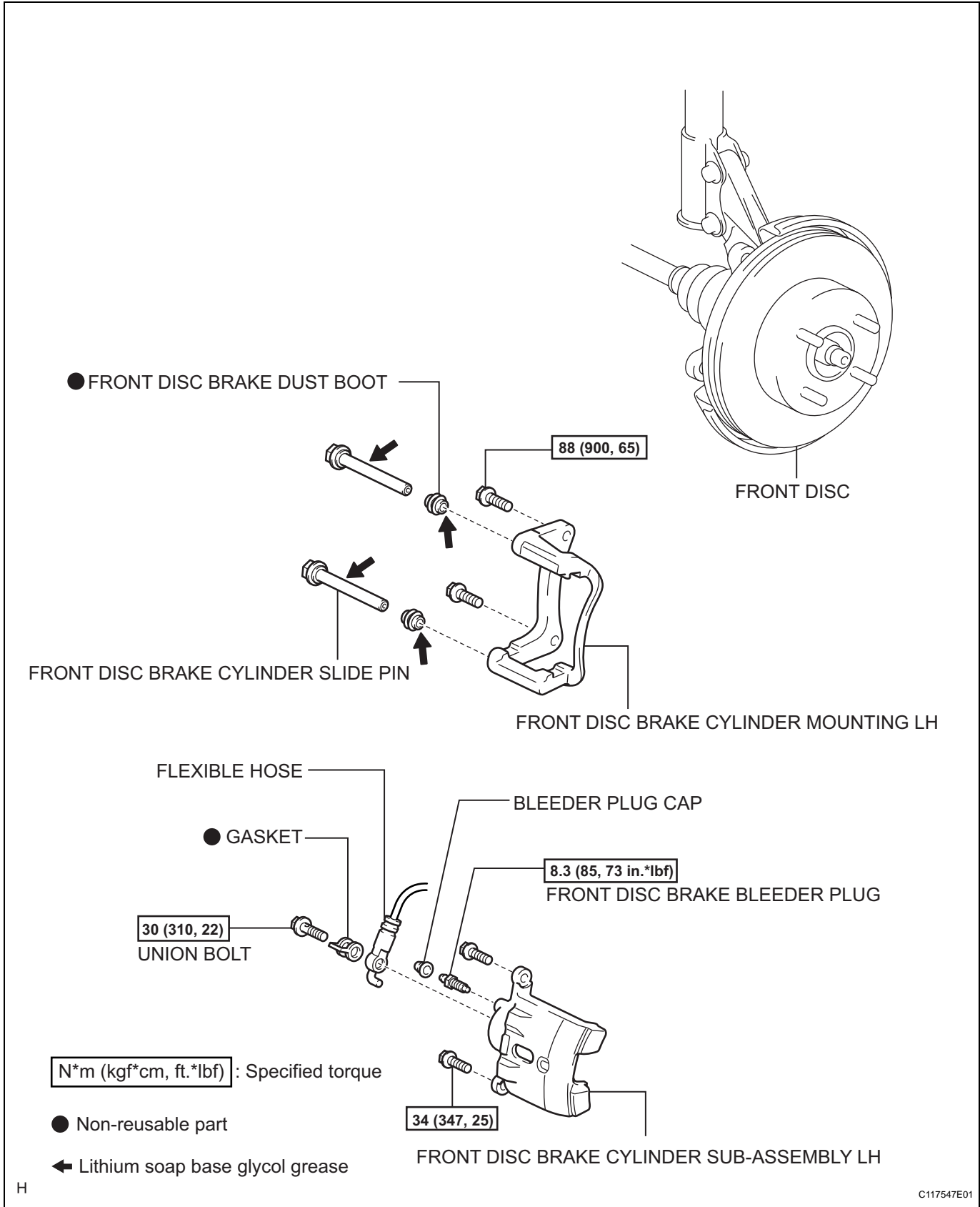
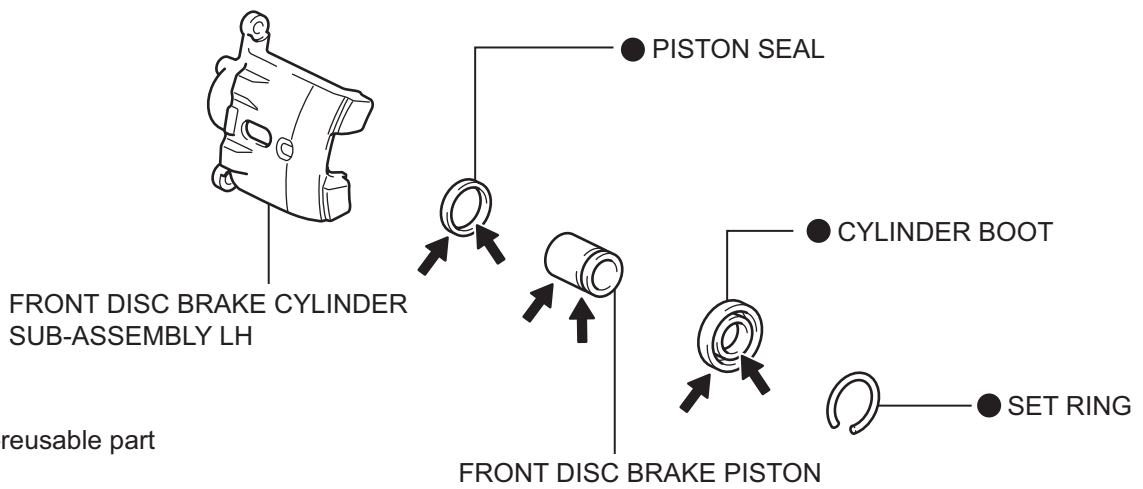
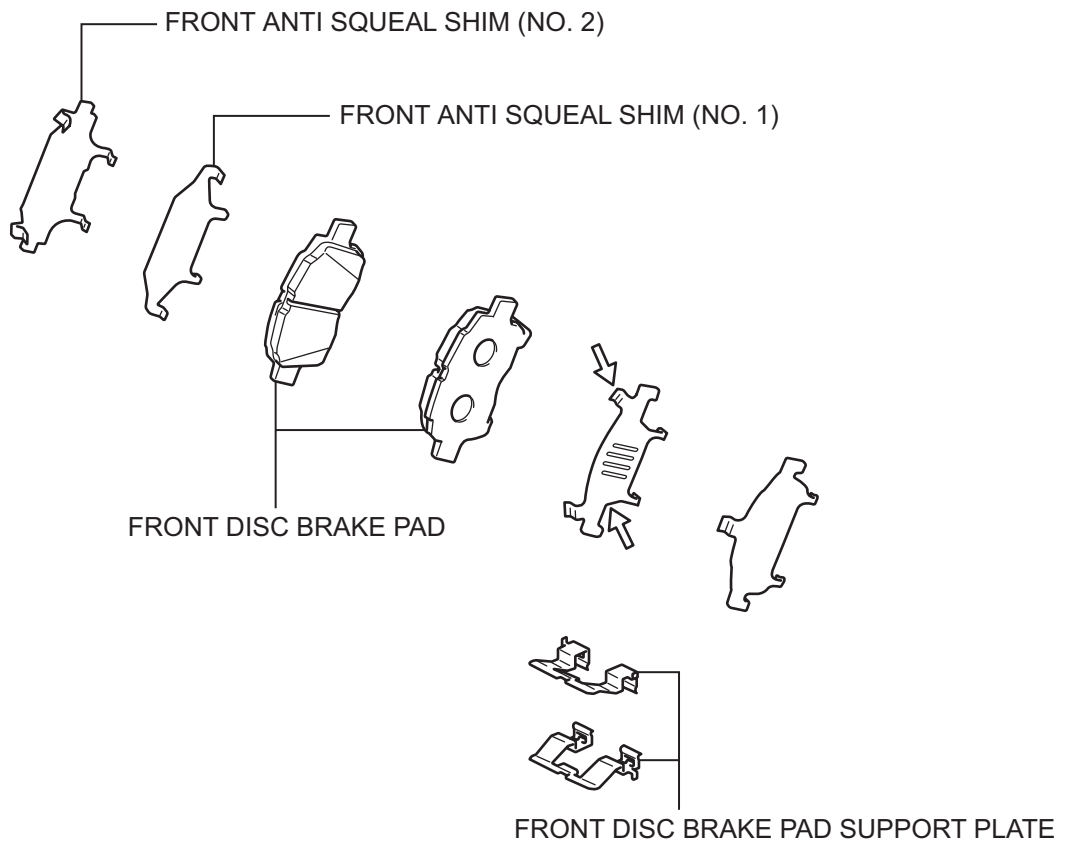


# FRONT BRAKE COMPONENTS



BR



● Non-reusable part

← Lithium soap base glycol grease

↔ Disc brake grease

BR