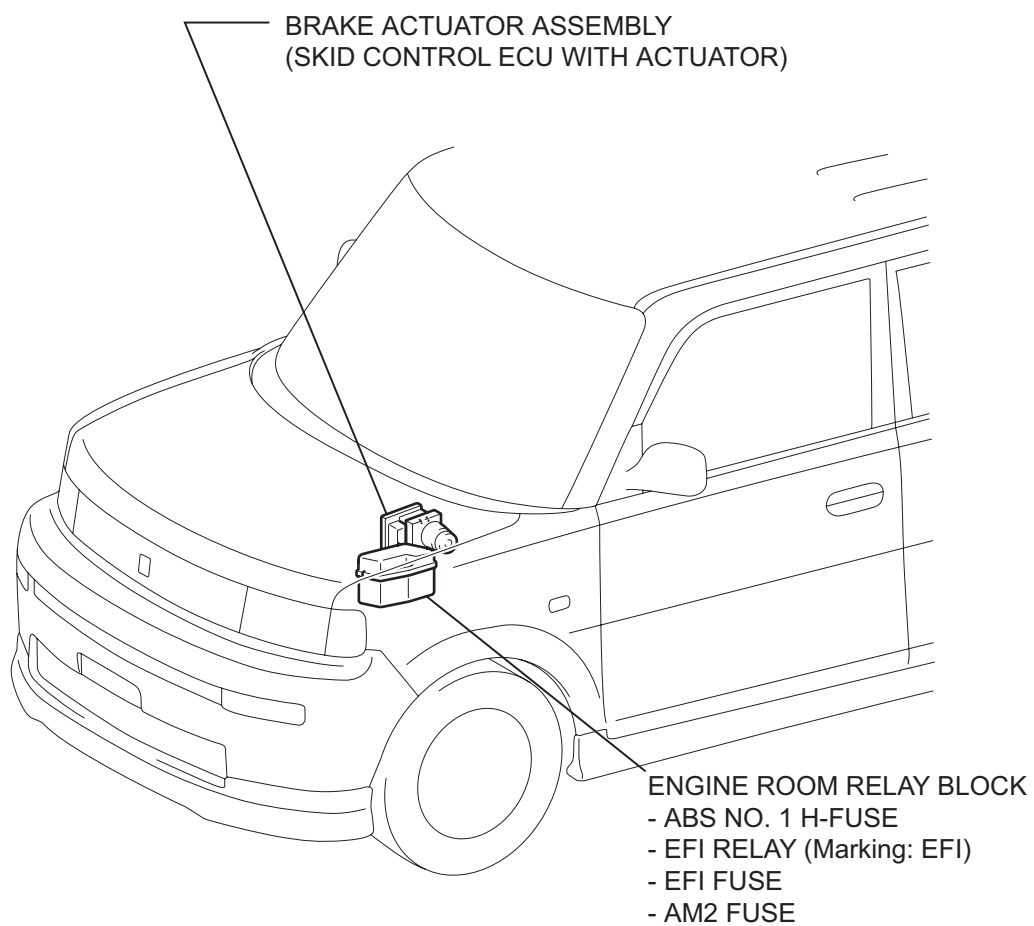


PARTS LOCATION



T

E117152E01

CA

INSTRUMENT PANEL JUNCTION BLOCK

- AM1 H-FUSE
- ECU-B FUSE
- ECU-IG FUSE
- OBD FUSE

STEERING SENSOR

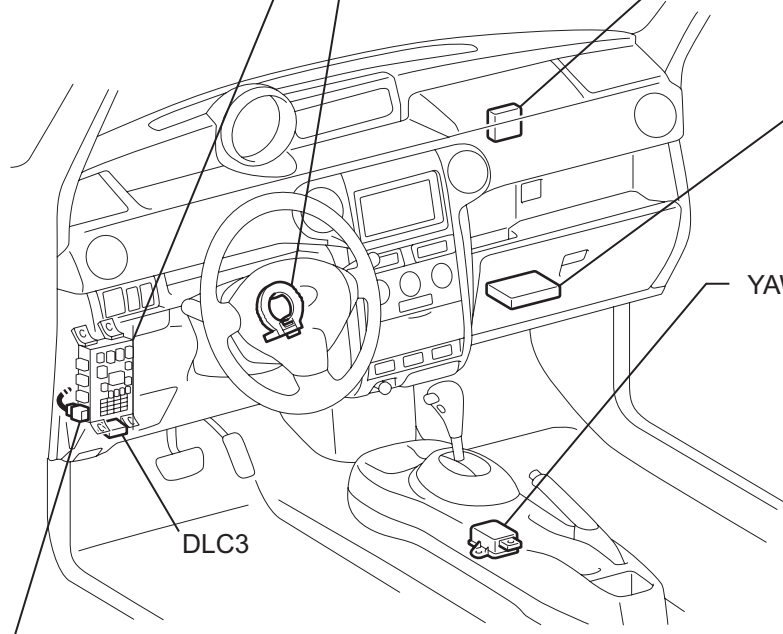
A/C AMPLIFIER

ECM

YAW RATE SENSOR

DLC3

JUNCTION CONNECTOR



T

E117161E01