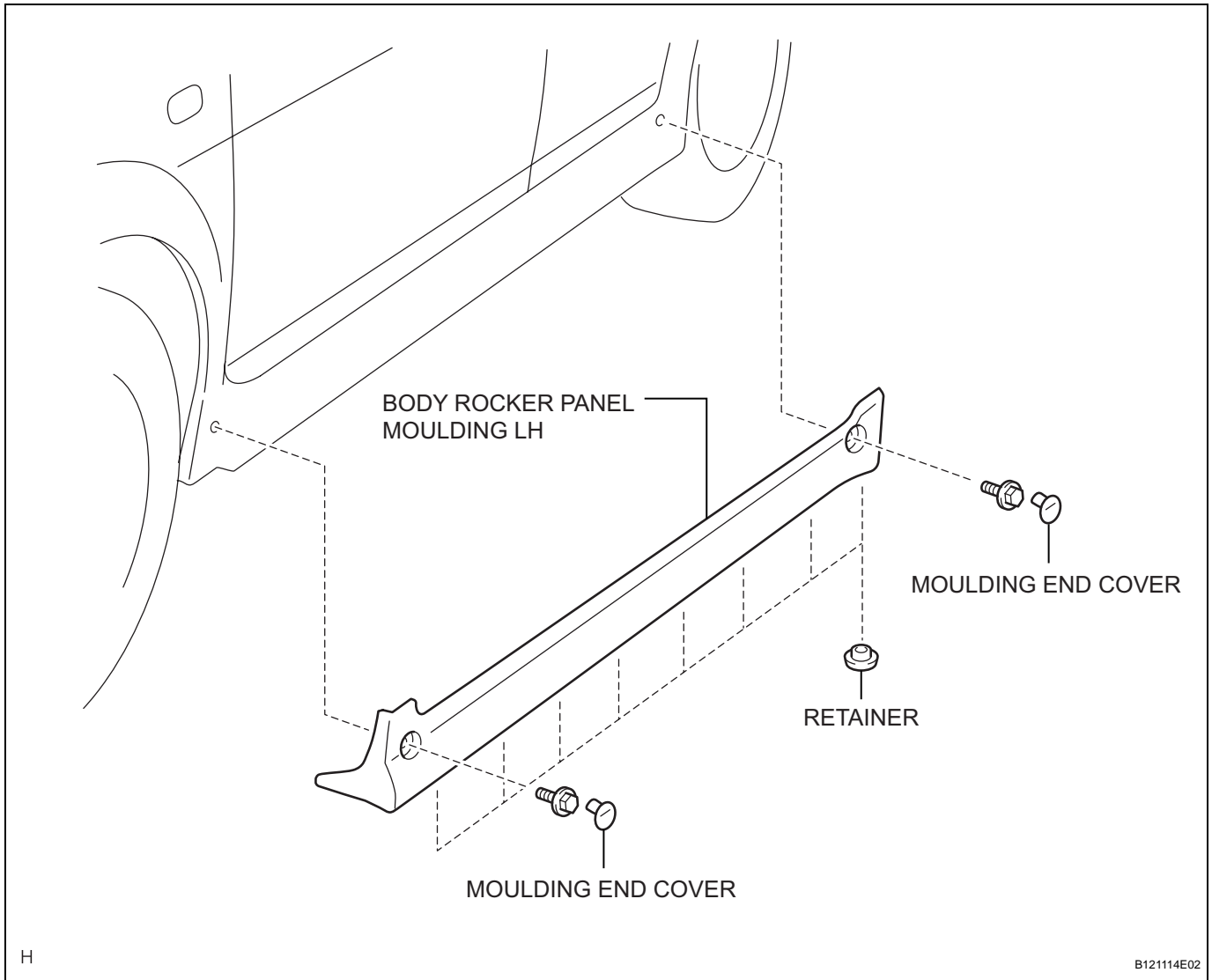


# ROCKER PANEL MOULDING

## COMPONENTS



ET

## REMOVAL

### HINT:

- Use the same procedures for the RH side and LH side.
- The procedures listed below are for the LH side.

### 1. REMOVE BODY ROCKER PANEL MOULDING LH

- (a) Using a clip remover, remove the 8 retainers.
- (b) Remove the 2 moulding end covers and 2 bolts.
- (c) Detach the 6 clips and remove the moulding.

