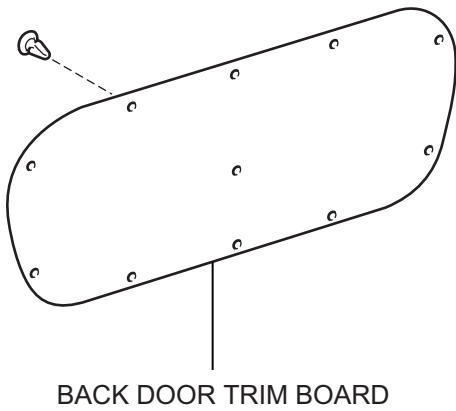
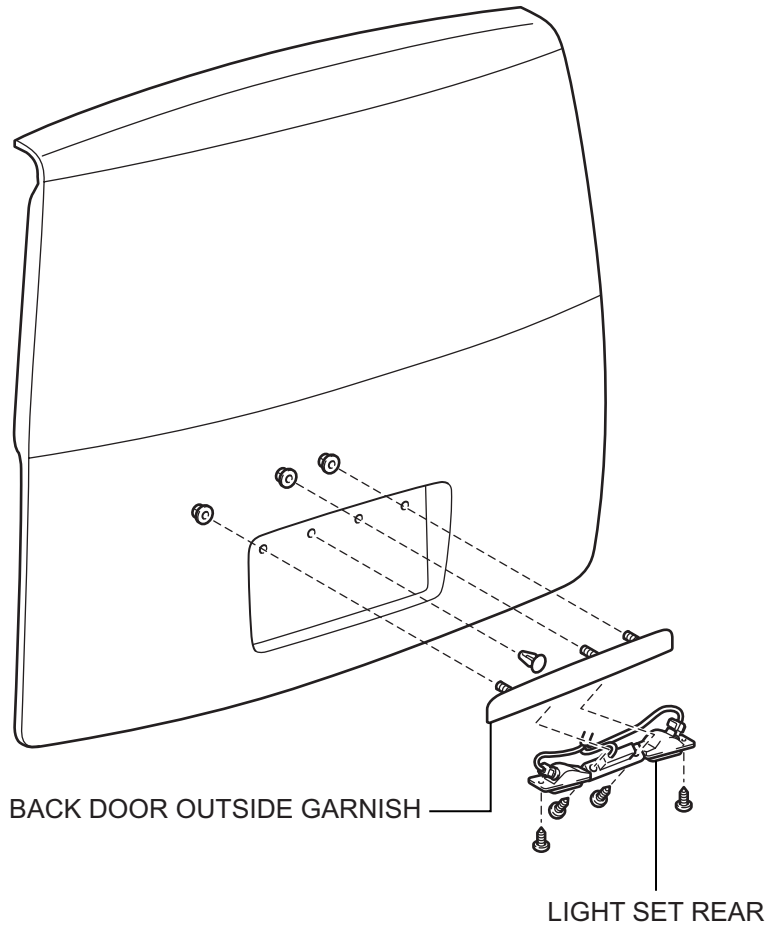


# BACK DOOR OUTSIDE GARNISH

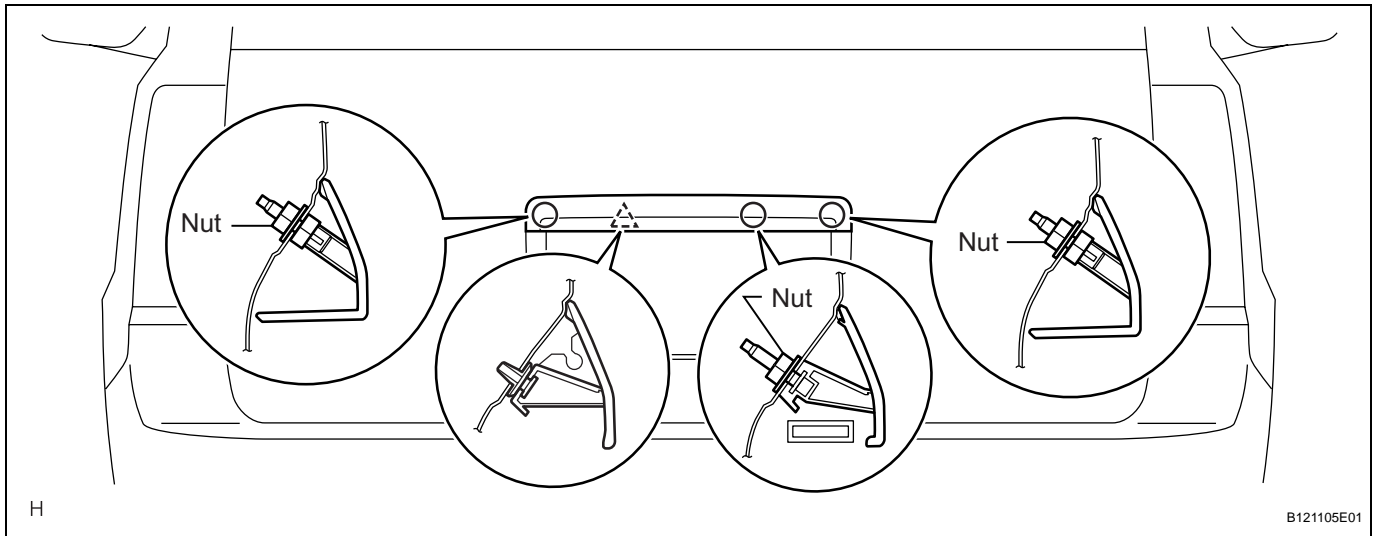
## COMPONENTS



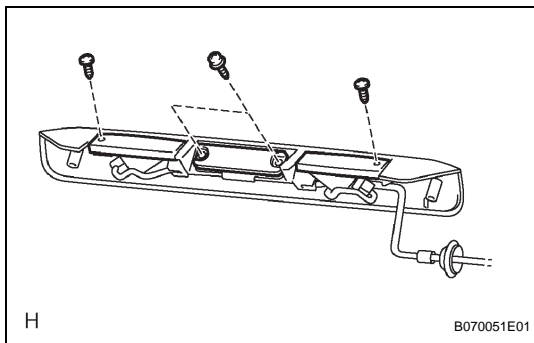
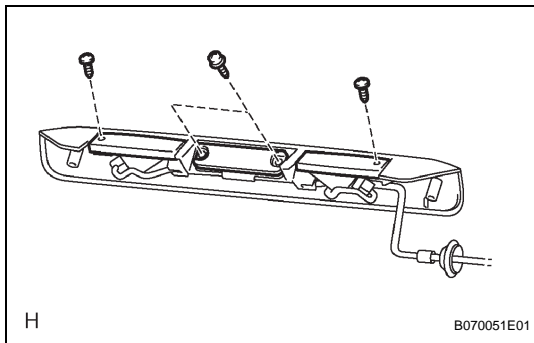
ET

## REMOVAL

1. REMOVE BACK DOOR TRIM BOARD (See page ED-38)
2. REMOVE BACK DOOR OUTSIDE GARNISH
  - (a) Remove the 3 nuts and detach the clip. Then remove the garnish.



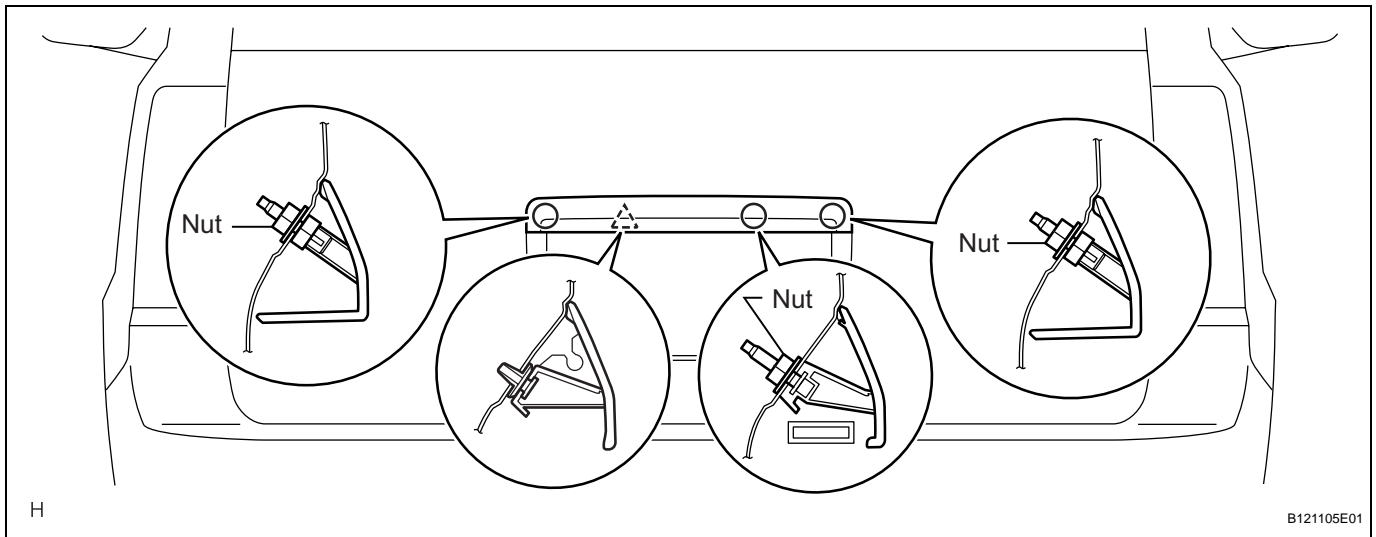
- (b) Remove the 4 screws and light set rear.



## INSTALLATION

1. INSTALL BACK DOOR OUTSIDE GARNISH
  - (a) Install the light set rear with the 4 screws.

- (b) Attach the clip and install the garnish with the 3 nuts.



2. **INSTALL BACK DOOR TRIM BOARD** (See page [ED-41](#))