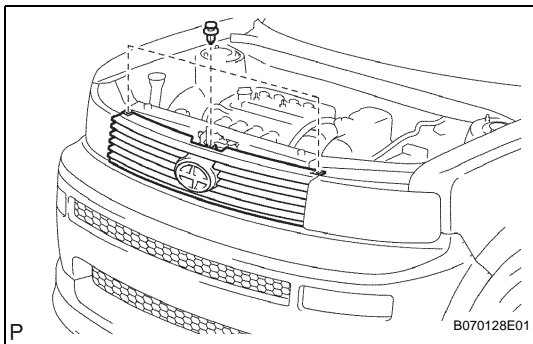
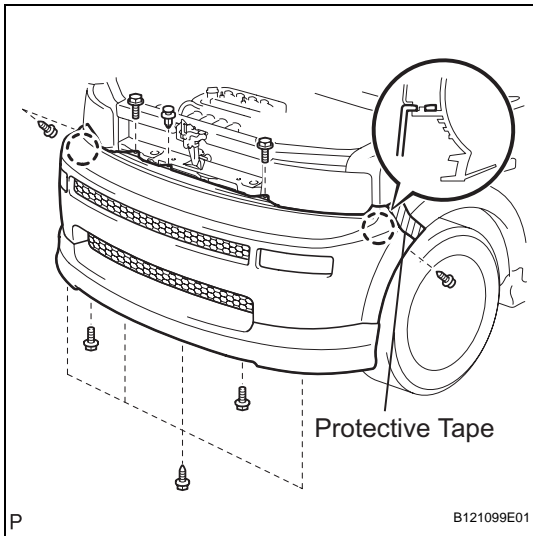


INSTALLATION

HINT:

A bolt without a torque specification is shown in the standard bolt chart (see page [SS-2](#)).

1. **INSTALL FRONT BUMPER REINFORCEMENT**
 - (a) Install the reinforcement with the 4 nuts.
2. **INSTALL FRONT BUMPER COVER**
 - (a) Put protective tape under the front fender.
 - (b) Attach the 2 claws to install the bumper cover.
 - (c) Install the 4 bolts, 6 screws and clip.
3. **INSTALL FRONT FENDER LINER LH**
 - (a) Install the fender liner with the 2 screws.
4. **INSTALL FRONT FENDER LINER RH**
 - (a) Install the fender liner with the 2 screws.



5. **INSTALL RADIATOR GRILLE**
 - (a) Install the radiator grille with the 3 clips.