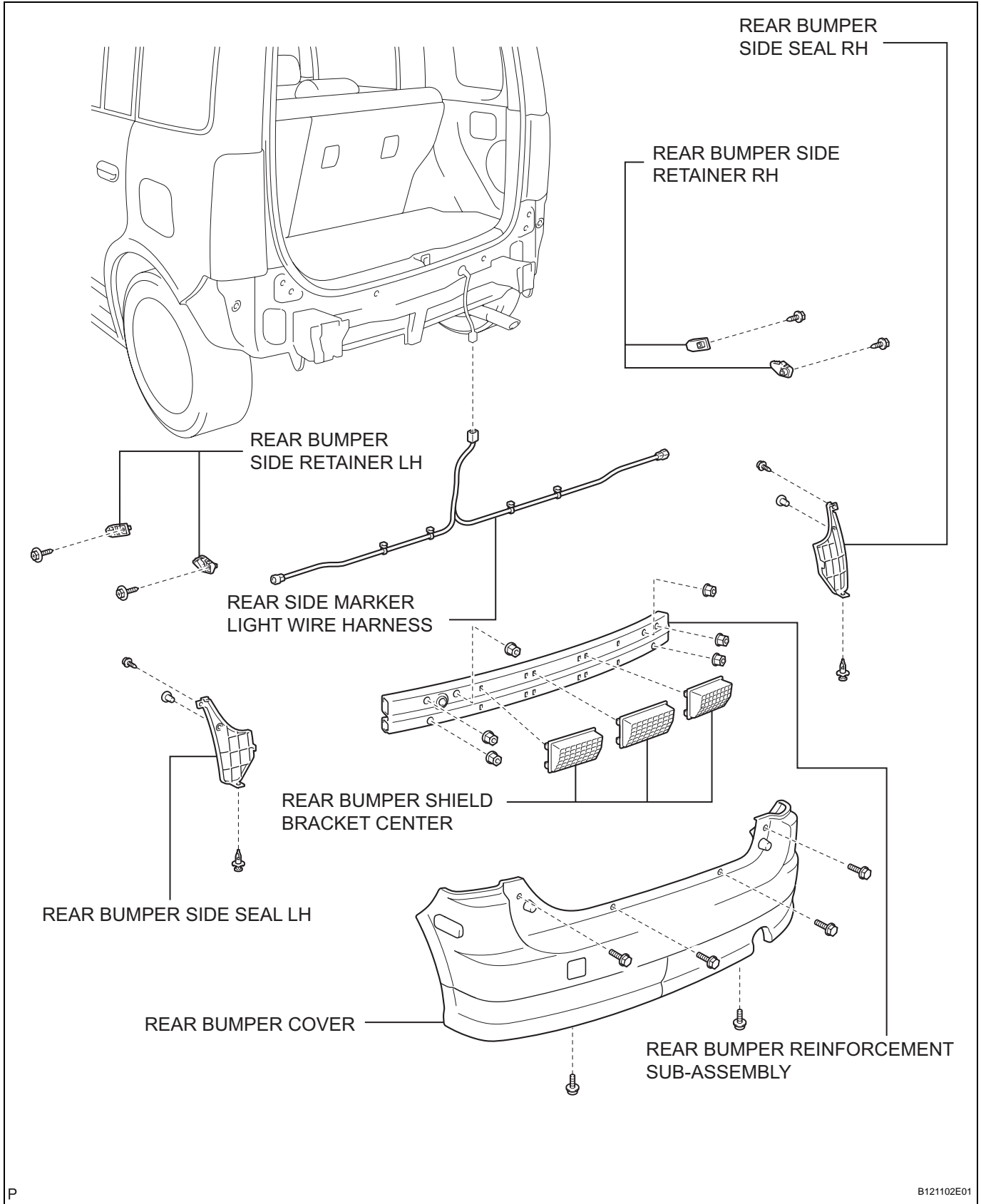
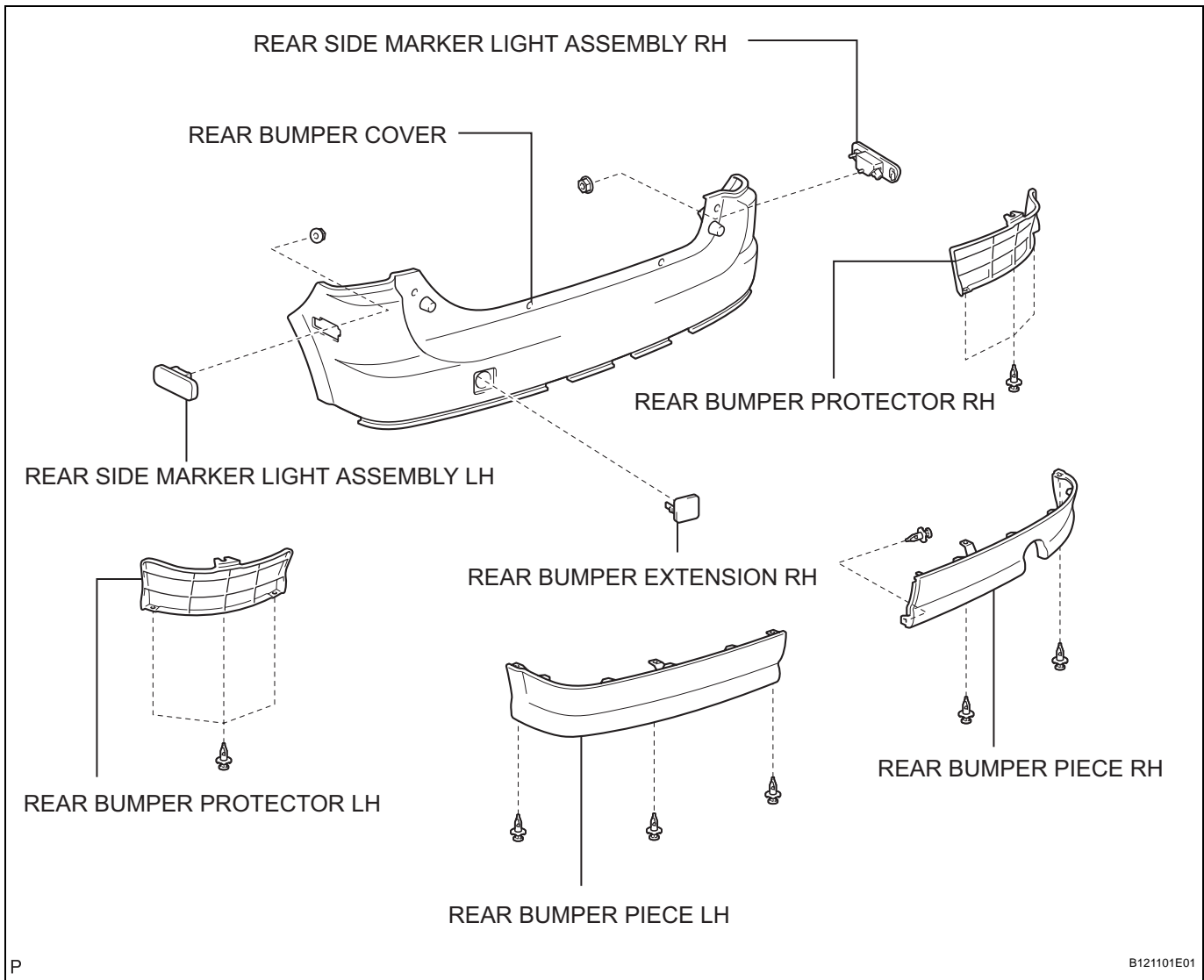


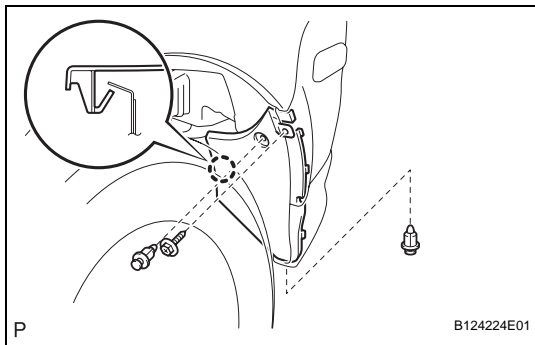
REAR BUMPER COMPONENTS



ET



ET

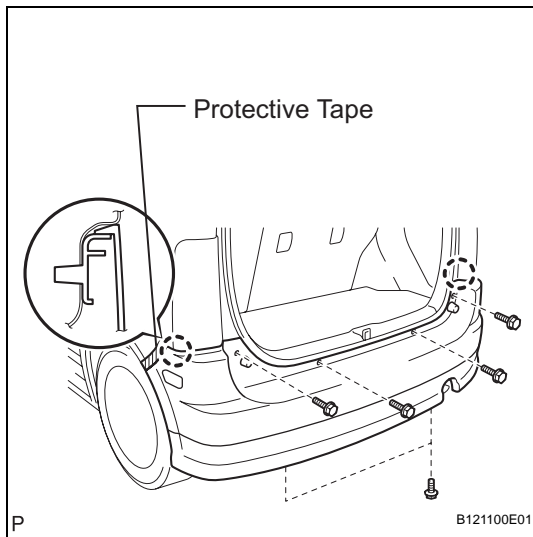


REMOVAL

1. **REMOVE REAR BUMPER SIDE SEAL LH**
 - (a) Using a clip remover, remove the 2 clips and screw.
 - (b) Using a screwdriver, detach the claw and remove the side seal.

HINT:
Tape the screwdriver tip before use.
2. **REMOVE REAR BUMPER SIDE SEAL RH**

HINT:
Use the same procedures described for the LH side.



3. REMOVE REAR BUMPER COVER

- (a) Put protective tape under the quarter panel.
- (b) Using a screwdriver, detach the 2 claws and remove the 6 bolts and bumper cover.

HINT:

Tape the screwdriver tip before use.

- (c) Disconnect the rear side marker light wire harness's connector from the vehicle body.
- (d) Disconnect the wire harness's connectors and detach the clamps. Then, remove the wire harness.

4. REMOVE REAR BUMPER SHIELD BRACKET CENTER

- (a) Using a screwdriver, detach the 8 claws and remove the 3 shield brackets.

HINT:

Tape the screwdriver tip before use.

5. REMOVE REAR BUMPER REINFORCEMENT SUB-ASSEMBLY

- (a) Remove the 6 nuts and reinforcement.

6. REMOVE REAR BUMPER SIDE RETAINER LH

- (a) Remove the 2 screws and 2 side retainers.

7. REMOVE REAR BUMPER SIDE RETAINER RH

- (a) Remove the 2 screws and 2 side retainers.