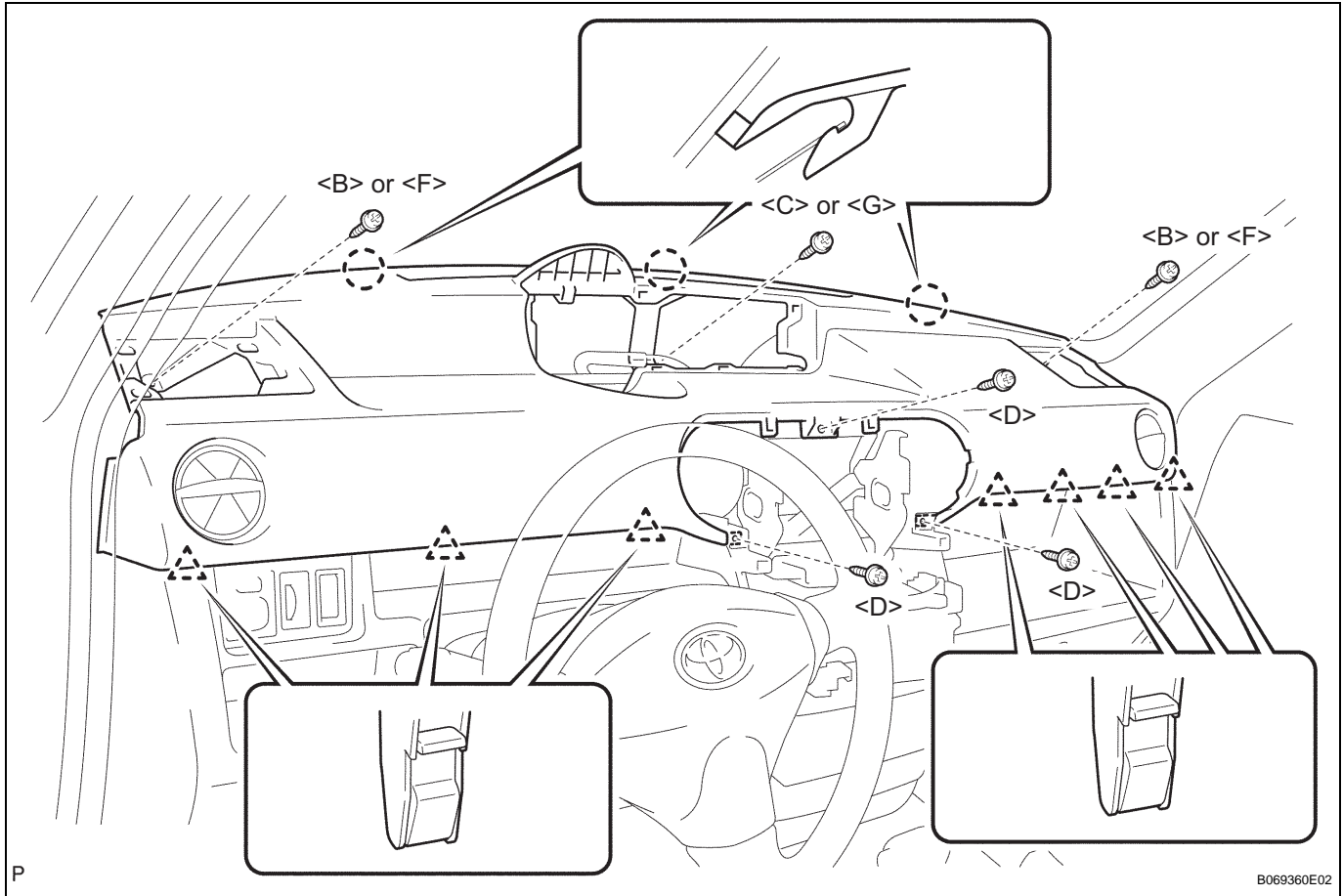


INSTALLATION

1. INSTALL INSTRUMENT PANEL SUB-ASSEMBLY

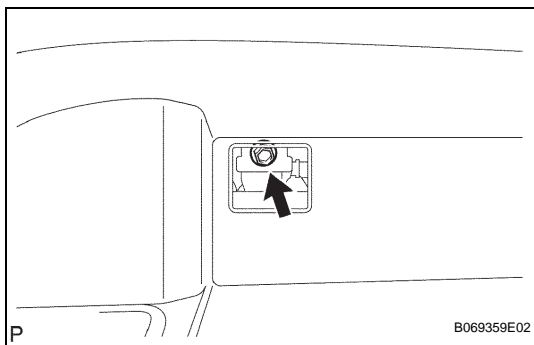
- (a) Install the instrument panel.
- (b) Connect the connectors.
- (c) Attach the 7 clips and 3 claws.
- (d) Install the 6 screws.

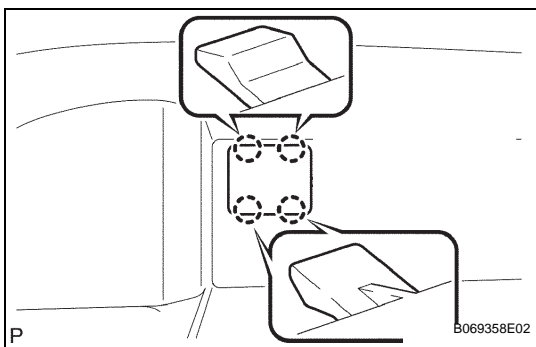


IP

- (e) Install the bolt.

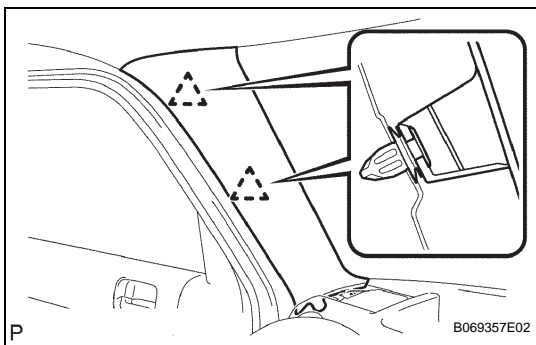
2. CONNECT PASSENGER AIRBAG CONNECTOR





3. INSTALL NO. 3 INSTRUMENT PANEL HOLE COVER

- (a) Attach the 4 claws to install the instrument panel hole cover.

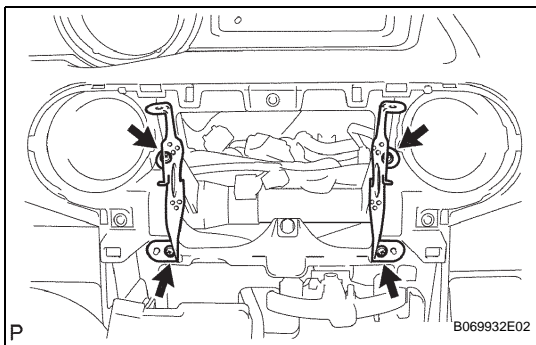


4. INSTALL FRONT PILLAR GARNISH LH

- (a) Attach the 2 clips to install the front pillar garnish.

5. INSTALL FRONT PILLAR GARNISH RH

- HINT:**
Use the same procedures for the RH side and LH side.

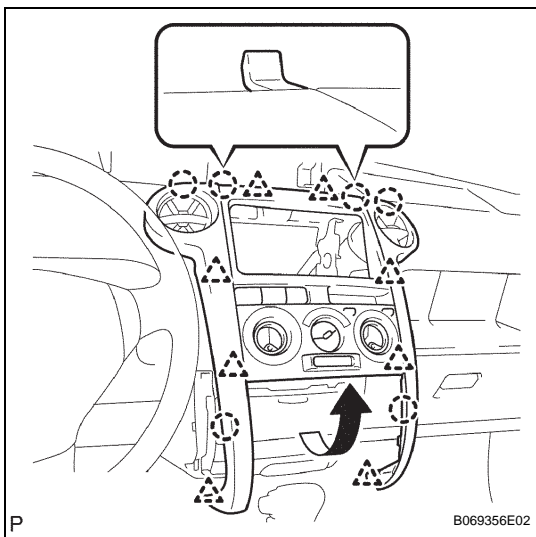


6. INSTALL NO. 1 RADIO BRACKET

- (a) Install the radio bracket with the 2 screws.

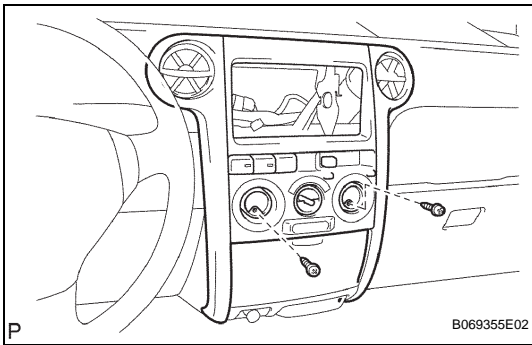
7. INSTALL NO. 2 RADIO BRACKET

- (a) Install the radio bracket with the 2 screws.

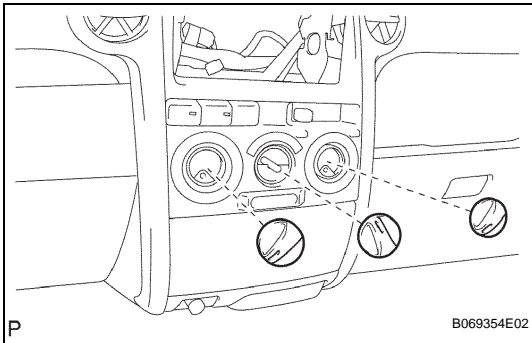


8. INSTALL INSTRUMENT CLUSTER FINISH PANEL CENTER

- (a) Attach the 8 clips and 6 claws to install the instrument cluster finish panel.



(b) Install the 2 screws.



9. INSTALL HEATER CONTROL KNOB

(a) Install the 3 heater control knobs.

10. INSTALL FRONT NO. 2 SPEAKER ASSEMBLY

11. INSTALL NO. 2 INSTRUMENT PANEL SPEAKER PANEL SUB-ASSEMBLY

(a) Attach the 5 claws to install the speaker panel.

12. INSTALL NO. 1 INSTRUMENT PANEL SPEAKER PANEL SUB-ASSEMBLY

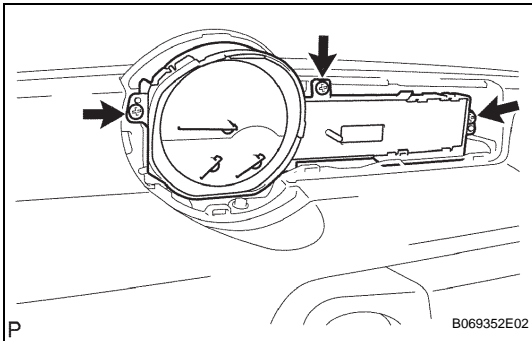
HINT:

Use the same procedures described for the No. 1 instrument panel speaker panel.

13. INSTALL COMBINATION METER ASSEMBLY

(a) Connect the connector.

(b) Install the combination meter with the 3 screws.



14. INSTALL INSTRUMENT CLUSTER FINISH PANEL

(a) Attach the 7 claws and 2 clips to install the instrument cluster finish panel.

(b) Install the clip.

15. CONNECT CABLE TO NEGATIVE BATTERY TERMINAL

16. CHECK SRS WARNING LIGHT

(a) Check the SRS warning light (see page [RS-18](#)).

