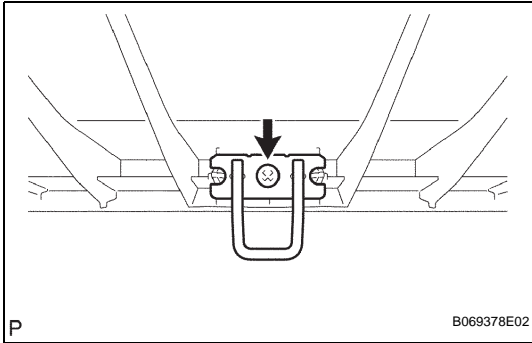


REASSEMBLY

1. **INSTALL INSTRUMENT PANEL HOLE COVER**
2. **INSTALL INSTRUMENT PANEL BRACKET SUB-ASSEMBLY CENTER**

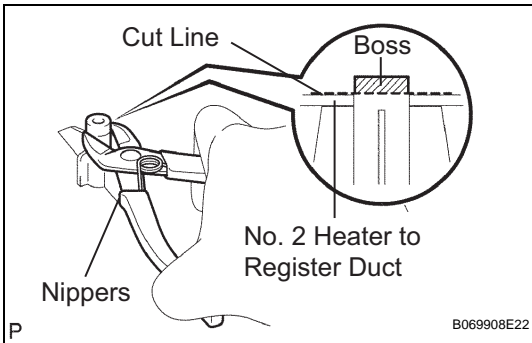
(a) Install the instrument panel bracket center with the screw.



3. **INSTALL NO. 2 HEATER TO REGISTER DUCT**

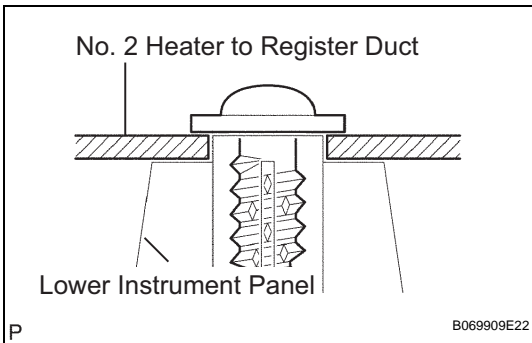
(a) Only when replacing the lower instrument panel with a new one:

Using nippers, cut the boss off, as shown in the illustration.



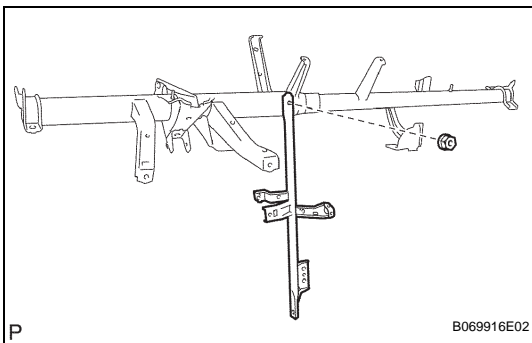
(b) Using a screw, install the No. 2 heater to register duct.

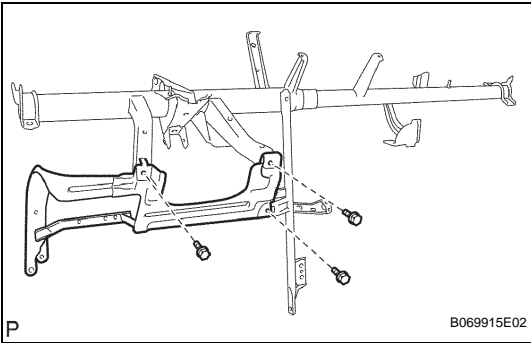
4. **INSTALL FUSE BOX OPENING COVER**



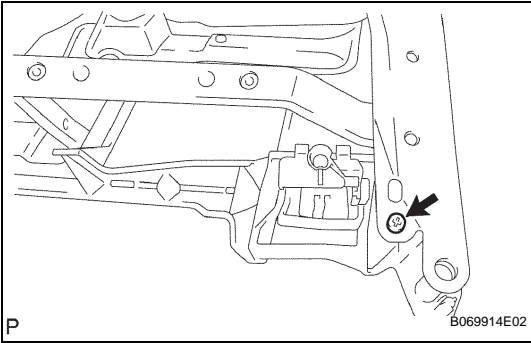
5. **INSTALL INSTRUMENT PANEL REINFORCEMENT**

(a) Install the No. 1 instrument panel with the nut.

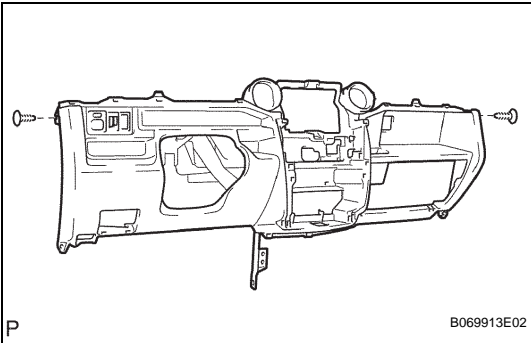




(b) Install the instrument panel lower pad insert LH with the 3 bolts.



(c) Install the screw.



(d) Install the 2 clips.