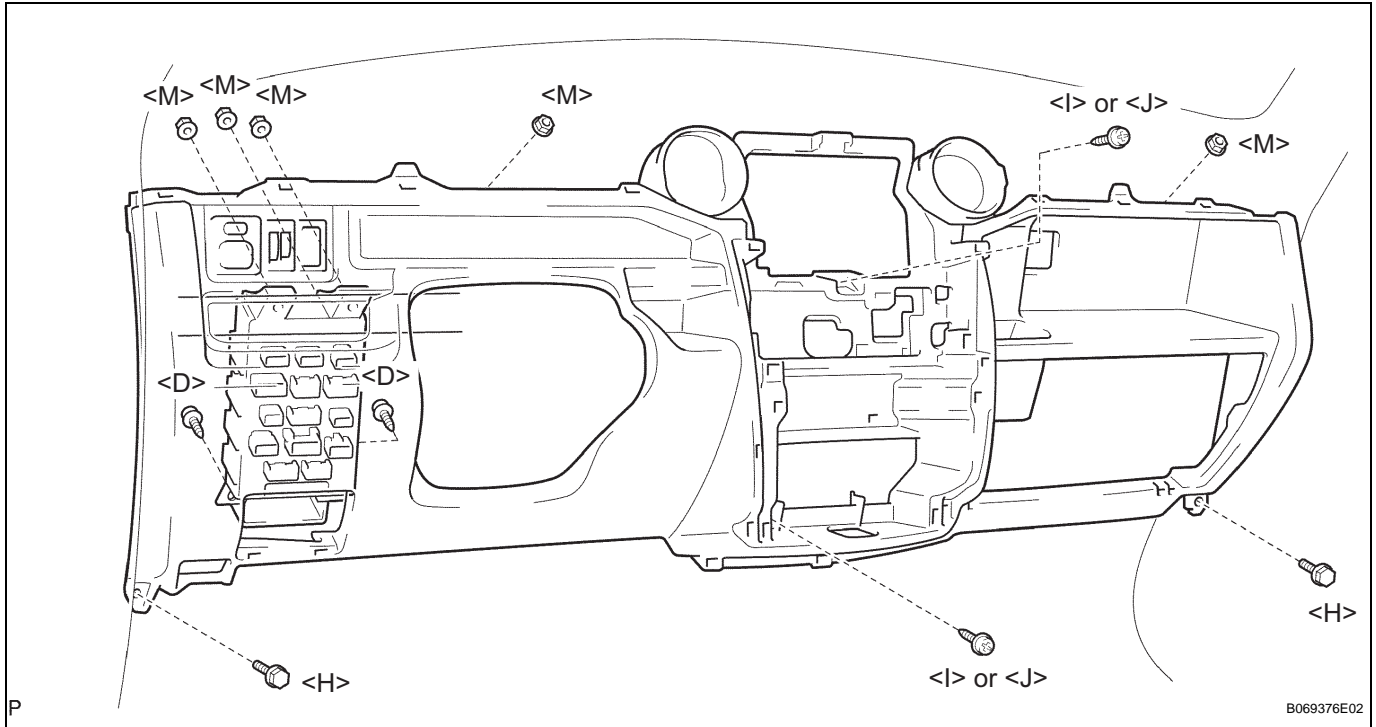
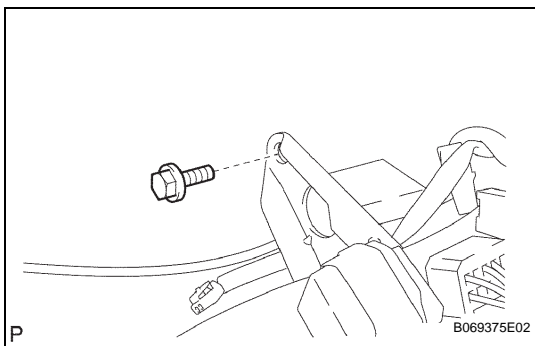


INSTALLATION

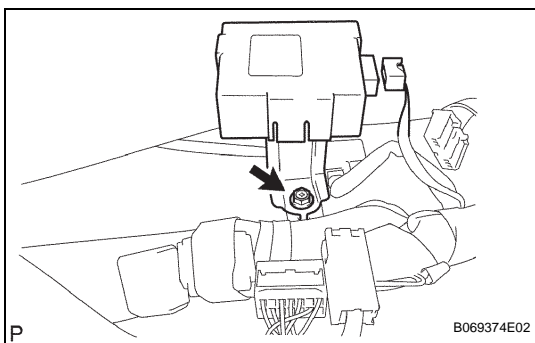
1. **INSTALL LOWER INSTRUMENT PANEL ASSEMBLY**
 - (a) Connect the connectors.
 - (b) Install the instrument panel.
 - (c) Install the instrument panel junction block assembly with the 2 screws and 3 nuts.
 - (d) Install the 2 bolts, 2 nuts and 2 screws.
 - (e) Connect the hood lock control cable.



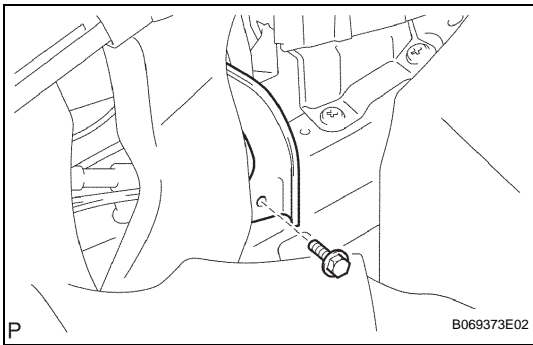
IP



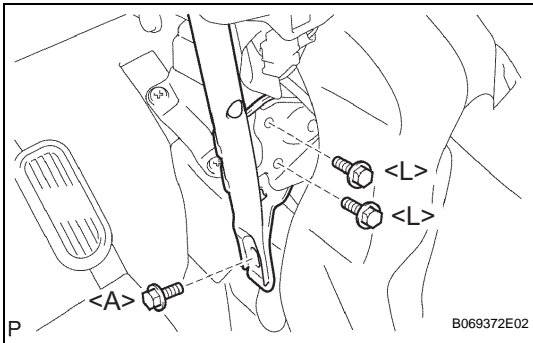
- (f) Install the bolt.



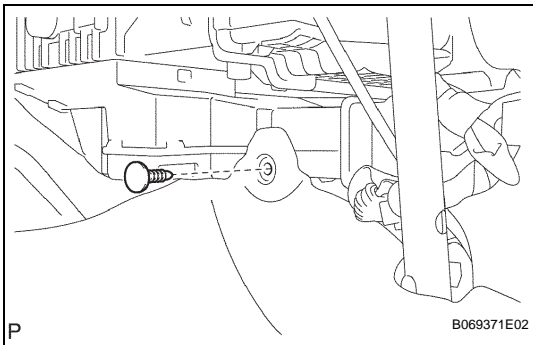
- (g) Connect the connector.
- (h) Install the door control receiver.
- (i) Install the screw.



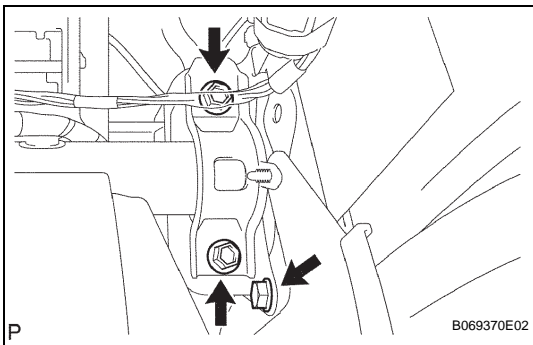
(j) Install the No. 1 instrument panel mounting bracket with the bolt.



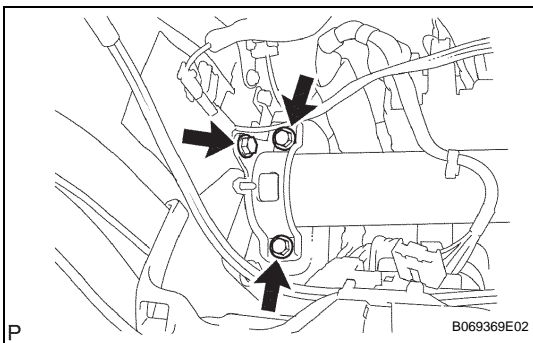
(k) Install the 3 bolts



(l) Install the clip.



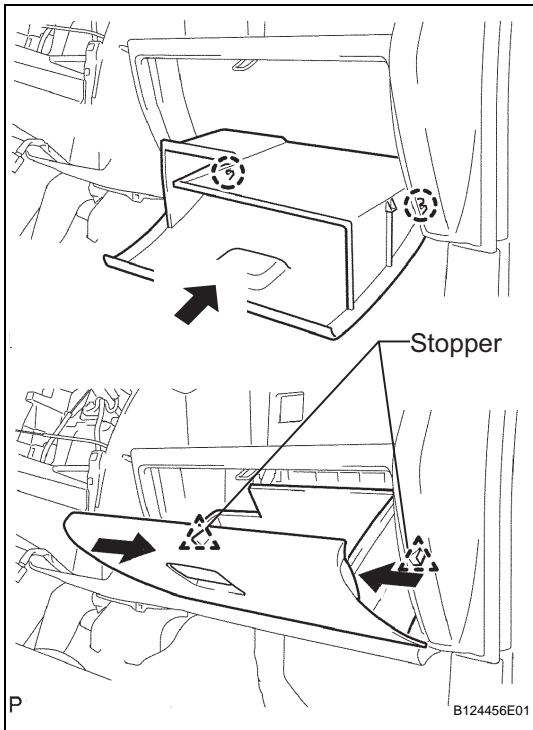
(m) Install the 3 bolts.



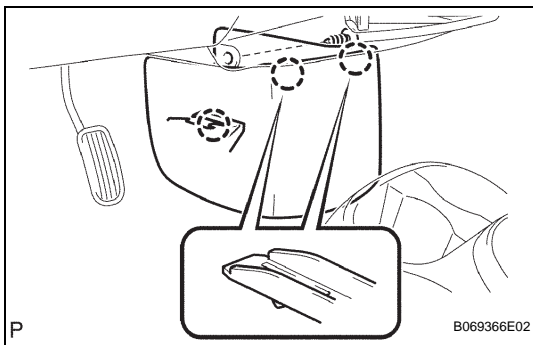
(n) Install the 3 bolts.

2. **INSTALL ANTENNA CORD SUB-ASSEMBLY**
3. **INSTALL STEERING COLUMN ASSEMBLY (See page [SR-12](#))**
4. **INSTALL STEERING INTERMEDIATE SHAFT ASSEMBLY (See page [SR-12](#))**
5. **CONNECT STEERING INTERMEDIATE SHAFT ASSEMBLY (See page [SR-12](#))**

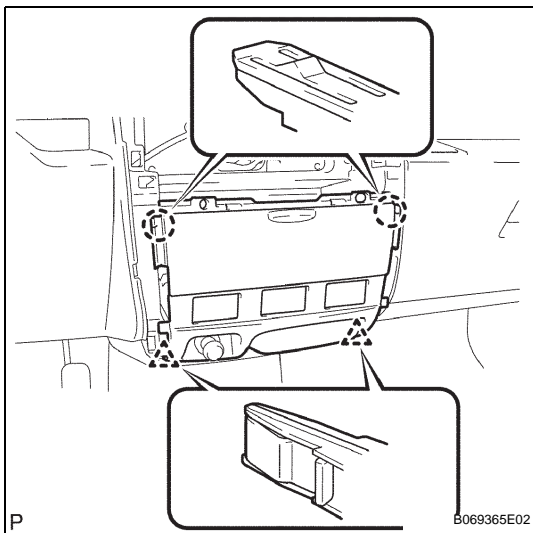
6. **INSTALL STEERING COLUMN HOLE COVER PLATE**
(See page [SR-12](#))
7. **CONNECT FLOOR SHIFT PARKING LOCK CABLE ASSEMBLY** (for Automatic Transaxle)
8. **INSTALL GLOVE COMPARTMENT DOOR ASSEMBLY**
 - (a) Push in the sides of the glove compartment door, as indicated by the arrows in the illustration. Then close the door to engage it to the 2 stoppers.



9. **INSTALL INSTRUMENT PANEL FINISH PANEL LOWER CENTER**
 - (a) Attach the 3 claws to install the instrument panel finish panel.
 - (b) Install the clip.



10. **INSTALL INSTRUMENT CLUSTER FINISH PANEL SUB-ASSEMBLY LOWER CENTER**
 - (a) Connect the connectors.
 - (b) Attach the 2 claws and 2 clips to install the instrument cluster finish panel.



11. **INSTALL HEATER CONTROL AND ACCESSORY ASSEMBLY** (See page [AC-100](#))
12. **INSTALL COWL SIDE TRIM BOARD LH** (See page [IR-12](#))
13. **INSTALL COWL SIDE TRIM BOARD RH** (See page [IR-12](#))
14. **INSTALL FRONT DOOR SCUFF PLATE LH**
15. **INSTALL FRONT DOOR SCUFF PLATE RH**

16. **INSTALL WINDSHIELD WIPER SWITCH ASSEMBLY**
(See page [WW-24](#))
17. **INSTALL HEADLIGHT DIMMER SWITCH ASSEMBLY**
(See page [LI-25](#))
18. **INSTALL STEERING COLUMN COVER** (See page [SR-13](#))
19. **INSTALL STEERING WHEEL ASSEMBLY** (See page [SR-13](#))
20. **INSTALL STEERING PAD ASSEMBLY** (See page [RS-188](#))
21. **INSTALL INSTRUMENT PANEL SUB-ASSEMBLY**
(a) Install the instrument panel (see page [IP-10](#)).
22. **CONNECT CABLE TO NEGATIVE BATTERY TERMINAL**
23. **CHECK SRS WARNING LIGHT**
(a) Check the SRS warning light (see page [RS-18](#)).