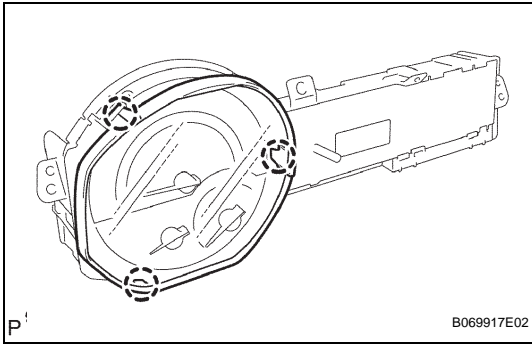


REASSEMBLY

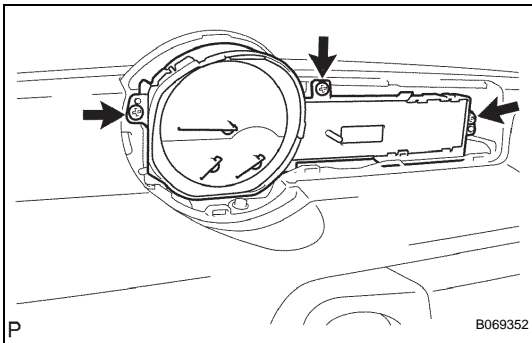
1. INSTALL NO. 1 COMBINATION METER COVER

- (a) Attach the 6 claws to install the combination meter cover.



2. INSTALL COMBINATION METER GLASS

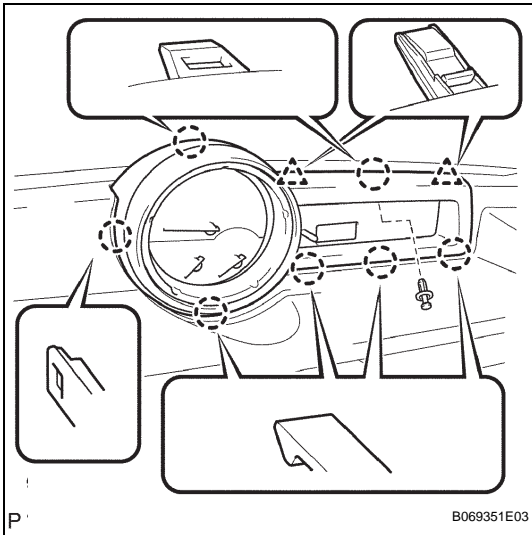
- (a) Attach the 3 claws to install the combination meter glass.



INSTALLATION

1. INSTALL COMBINATION METER ASSEMBLY

- (a) Connect the connector and install the combination meter.
- (b) Install the 3 screws.



2. INSTALL INSTRUMENT CLUSTER FINISH PANEL

- (a) Attach the 7 claws and 2 clips to install the instrument cluster finish panel.
- (b) Install the clip.

3. CONNECT CABLE TO NEGATIVE BATTERY TERMINAL

4. CHECK SRS WARNING LIGHT

- (a) Check the SRS warning light (see page [RS-18](#)).