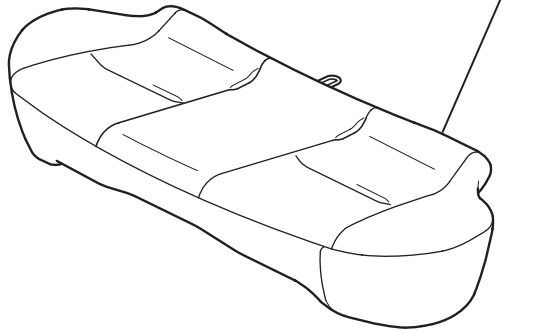


# REAR SEAT INNER BELT ASSEMBLY

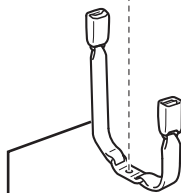
## COMPONENTS

SB

REAR SEAT CUSHION WITH COVER PAD SUB-ASSEMBLY

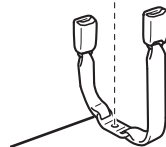


42 (428, 31)



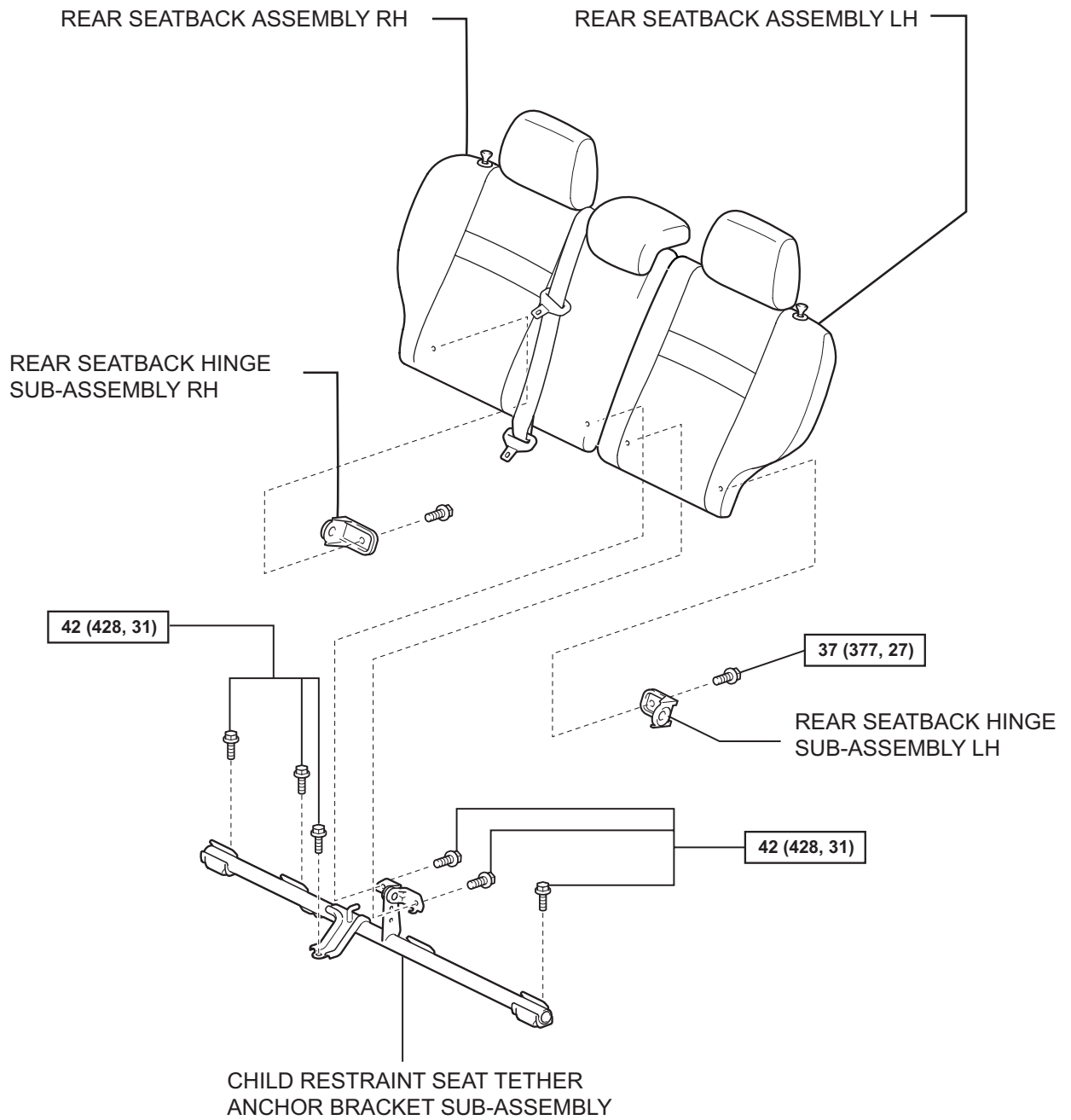
REAR SEAT INNER WITH  
CENTER BELT ASSEMBLY RH

42 (428, 31)



REAR SEAT INNER WITH  
CENTER BELT ASSEMBLY LH

**N\*m (kgf\*cm, ft.\*lbf)** : Specified torque



N\*m (kgf\*cm, ft.\*lbf) : Specified torque