

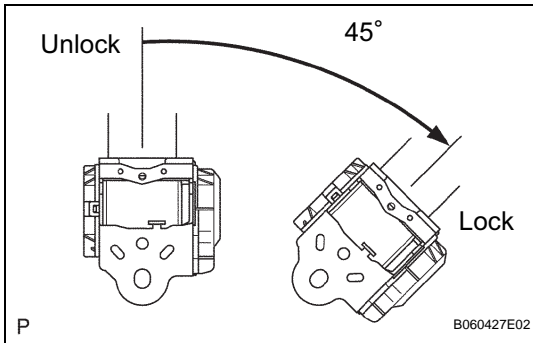
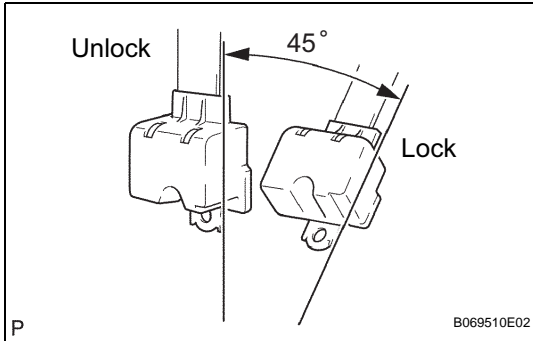
INSPECTION

1. INSPECT REAR SEAT OUTER BELT ASSEMBLY CENTER

NOTICE:

Do not disassemble the retractor.

- (a) When the inclination of the retractor is 15° or less, check that the belt can be pulled from the retractor. When the inclination of the retractor is over 45°, check that the belt locks. If the operation is not as specified, replace the belt.



2. INSPECT REAR SEAT 3 POINT TYPE BELT ASSEMBLY

NOTICE:

Do not disassemble the retractor.

- (a) When the inclination of the retractor is 15° or less, check that the belt can be pulled from the retractor. When the inclination of the retractor is over 45°, check that the belt locks. If the operation is not as specified, replace the belt.

INSTALLATION

HINT:

- Use the same procedures for the RH side and LH side.
- The procedures listed below are for the LH side.

1. INSTALL REAR SEAT OUTER BELT ASSEMBLY CENTER

- (a) Install the belt with the nut.
Torque: 42 N*m (428 kgf*cm, 31 ft.*lbf)
- (b) Install the rear seatback cover (with pad) RH (see page SE-15).
- (c) Install the rear seatback stop button grommet (see page SE-15).
- (d) Install the 4 rear seat headrest supports (see page SE-15).
- (e) Install the 2 tether anchor covers (see page SE-16).
- (f) Install the rear seatback lock release button (see page SE-16).
- (g) Install the rear seat headrest assembly (see page SE-16).
- (h) With the belt installed, check that the belt locks when it is pulled out quickly.

NOTICE:

The check should be performed with the outer belt installed.

HINT:

The seat belt does not lock when it is pulled out to a length of 955 mm (37.60 in.) or less.

If the operation is not as specified, replace the belt.

- (i) Check the fastening function of the child restraint system.

NOTICE:

The check should be performed with the outer belt installed.

- (1) When the belt is pulled out fully, the belt should automatically try to retract.
- (2) After the belt has fully retracted, the belt should be able to be pulled out and retracted again.
If the operation is not as specified, replace the belt.

2. INSTALL REAR SEAT 3 POINT TYPE BELT ASSEMBLY RH

- (a) Install the belt with the bolt on the retractor side.

Torque: 42 N*m (428 kgf*cm, 31 ft.*lbf)

NOTICE:

Make sure that the anchor part does not run onto the protruding part of the side panel.

- (b) Install the belt with the bolt on the shoulder anchor side.

Torque: 42 N*m (428 kgf*cm, 31 ft.*lbf)

- (c) With the belt installed, check that the belt locks when it is pulled out quickly.

NOTICE:

The check should be performed with the outer belt assembly installed.

If the operation is not as specified, replace the belt.

- (d) Check the fastening function of the child restraint system.

NOTICE:

The check should be performed with the outer belt assembly installed.

- (1) When the belt is pulled out fully, the belt should automatically try to retract.
- (2) After the belt has fully retracted, the belt should be able to be pulled out and retracted again. If the operation is not as specified, replace the belt.

3. **INSTALL ROOF SIDE GARNISH INNER RH (See page [IR-10](#))**
4. **INSTALL DECK TRIM SIDE PANEL ASSEMBLY RH**
- (a) Install the deck trim side panel assembly RH (see page [IR-10](#)).
- (b) Install the rear seat 3 point type belt assembly RH with the bolt on the floor anchor side.
- Torque: 42 N*m (428 kgf*cm, 31 ft.*lbf)**
5. **INSTALL REAR DECK TRIM COVER (See page [IR-11](#))**
6. **INSTALL REAR SEATBACK ASSEMBLY RH (See page [SE-17](#))**
7. **INSTALL REAR SEATBACK ASSEMBLY LH (See page [SE-17](#))**
8. **INSTALL REAR SEAT CUSHION WITH COVER PAD SUB-ASSEMBLY (See page [SE-17](#))**
9. **INSTALL DECK FLOOR BOX RH**
10. **REMOVE DECK FLOOR BOX LH**
11. **INSTALL NO. 1 DECK BOARD**
12. **INSTALL NO. 2 DECK BOARD**
13. **INSTALL REAR DOOR OPENING TRIM WEATHERSTRIP RH**
14. **INSTALL REAR DOOR SCUFF PLATE RH (See page [IR-12](#))**
15. **CONNECT CABLE TO NEGATIVE BATTERY TERMINAL**