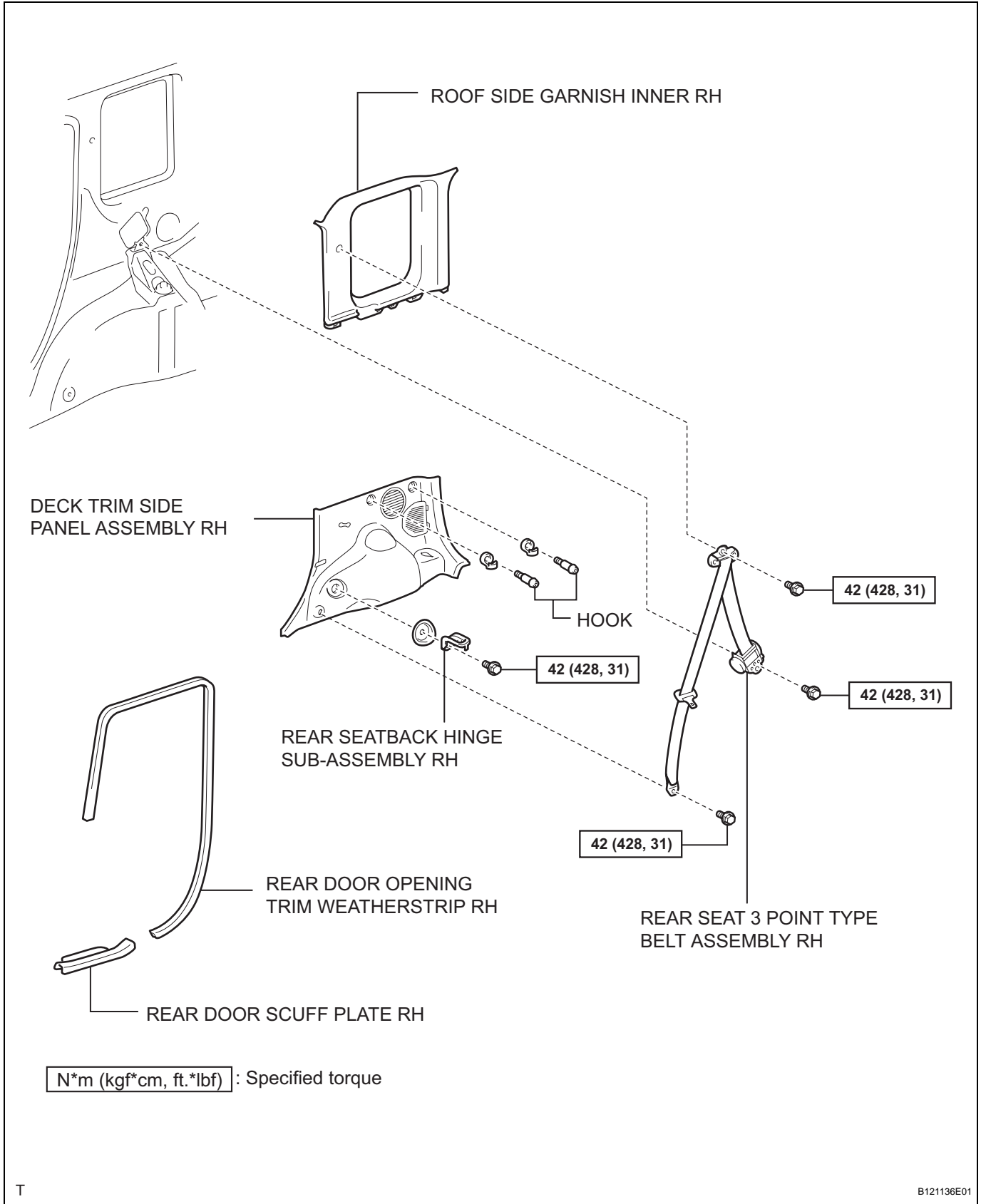


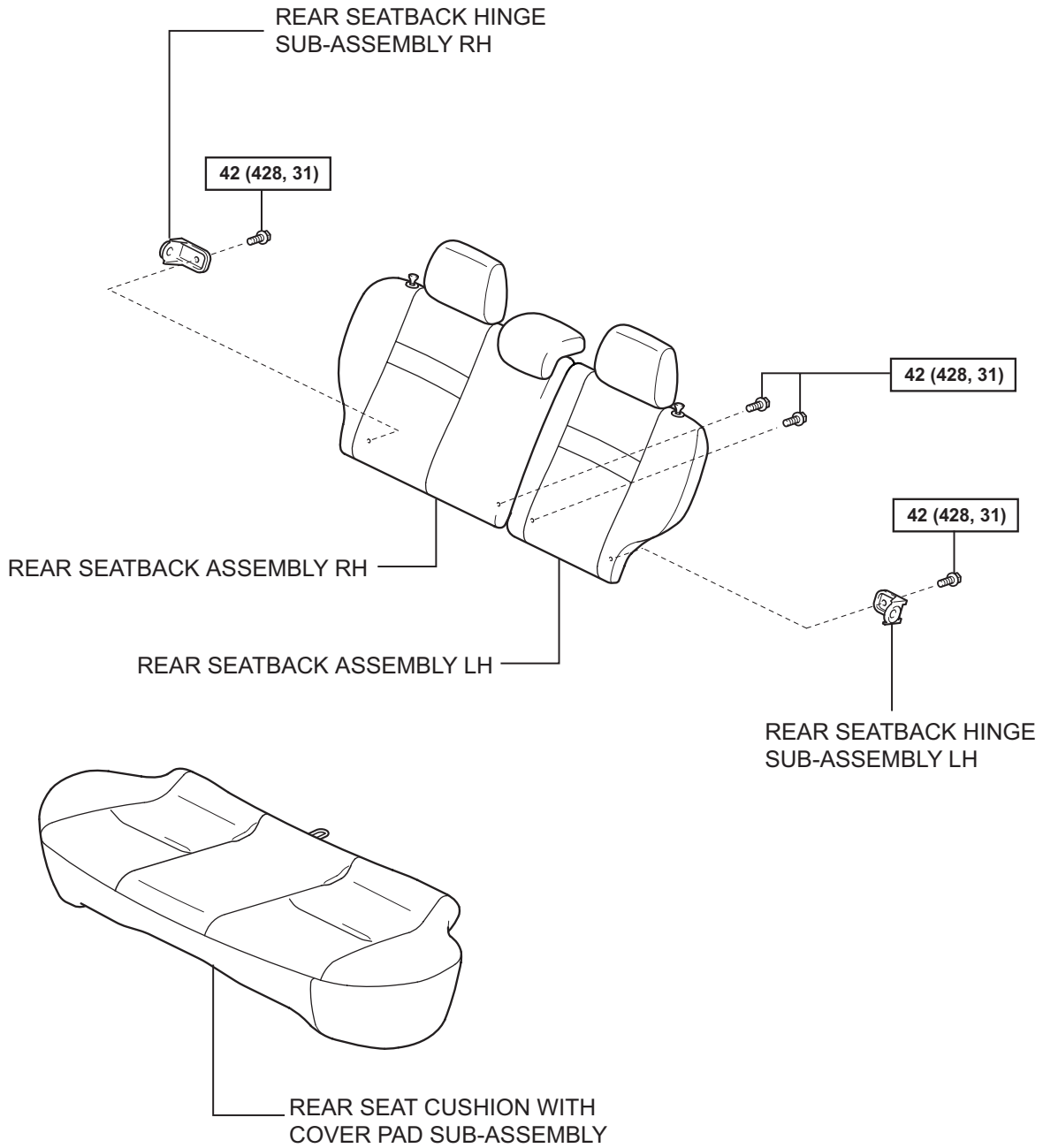
# REAR SEAT OUTER BELT ASSEMBLY

## COMPONENTS

SB



SB



N\*m (kgf\*cm, ft.\*lbf) : Specified torque

REAR SEAT BELT ASSEMBLY OUTER CENTER

REAR SEAT SHOULDER BELT COVER

42 (428, 31)

REAR SEAT HEADREST ASSEMBLY

REAR SEAT HEADREST SUPPORT

REAR SEATBACK LOCK RELEASE BUTTON

REAR SEATBACK STOP BUTTON GROMMET

TETHER ANCHOR COVER

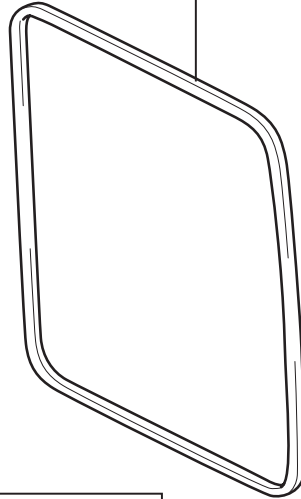
REAR SEATBACK FRAME RH

REAR SEATBACK COVER WITH PAD RH

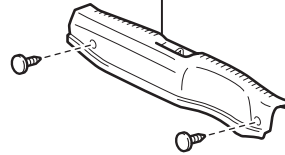
$N \cdot m$  (kgf $\cdot$ cm, ft. $\cdot$ lbf) : Specified torque

SB

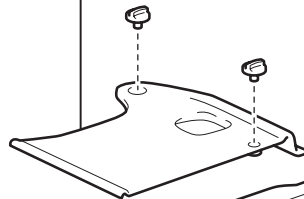
REAR DOOR OPENING TRIM WEATHERSTRIP RH



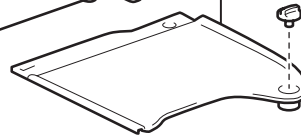
REAR DECK TRIM COVER



NO. 2 DECK BOARD



NO. 1 DECK BOARD



DECK FLOOR BOX RH



DECK FLOOR BOX LH

