

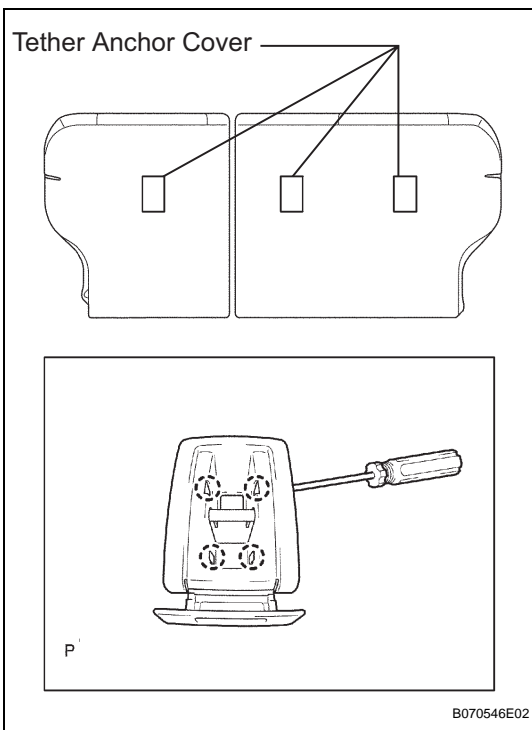
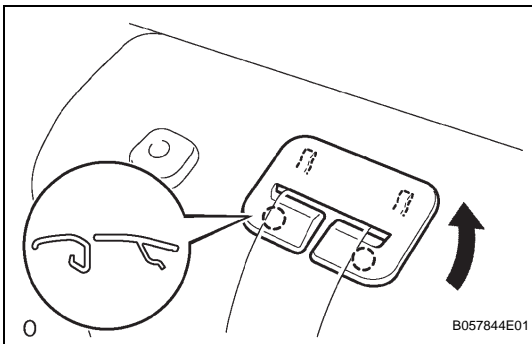
## DISASSEMBLY

### CAUTION:

Wear protective gloves. Sharp areas on the seatback frame may injure your hands.

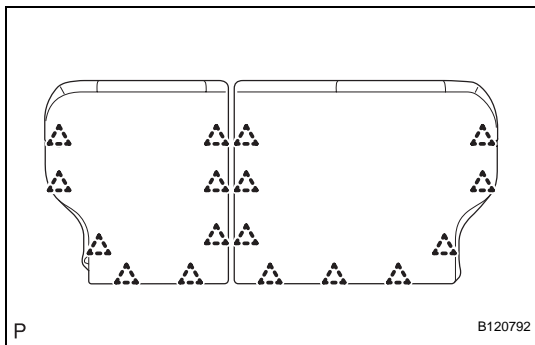
1. **REMOVE REAR SEAT HEADREST ASSEMBLY**
  - (a) Remove the 3 headrests.
2. **REMOVE REAR SEATBACK HINGE SUB-ASSEMBLY LH**
  - (a) Remove the bolt and seatback hinge.
3. **REMOVE REAR SEATBACK HINGE SUB-ASSEMBLY RH**
  - (a) Remove the bolt and seatback hinge.
4. **REMOVE REAR SEATBACK LOCK RELEASE BUTTON**
  - (a) Remove the 2 buttons.
5. **REMOVE REAR SEAT SHOULDER BELT COVER (for RH Side)**
  - (a) Using a screwdriver, pry out the shoulder belt cover.
 

HINT:  
Tape the screwdriver tip before use.



6. **REMOVE TETHER ANCHOR COVER**
  - (a) Using a screwdriver, pry out the 3 tether anchor covers.
 

HINT:  
Tape the screwdriver tip before use.



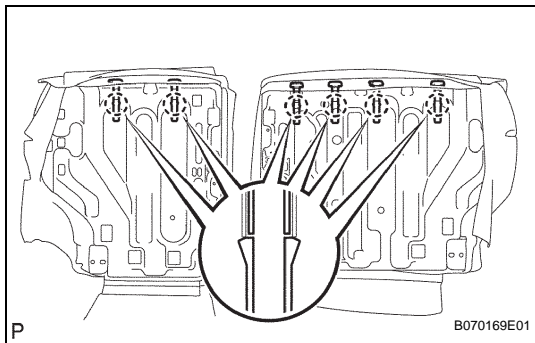
## 7. REMOVE REAR SEAT HEADREST SUPPORT

- (a) Using a clip remover, remove the 17 clips.

### NOTICE:

If clips are damaged during removal, replace them.

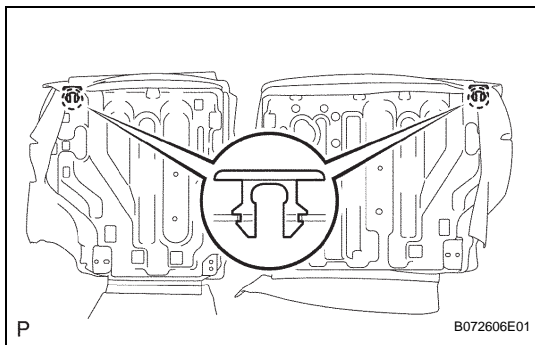
- (b) Remove the hog rings.



- (c) Detach the claws and remove the 6 headrest supports.

### HINT:

In order to detach the claw of the headrest support, insert your hand between the seatback frame and the seatback cover (with pad).



## 8. REMOVE REAR SEATBACK STOP BUTTON GROMMET

- (a) Detach the claws and remove the 2 grommets.

### HINT:

In order to detach the claw of the headrest support, insert your hand between the seatback frame and the seatback cover (with pad).

## 9. REMOVE REAR SEATBACK COVER WITH PAD LH

- (a) Remove the seatback cover (with pad) from the seatback frame.

## 10. REMOVE REAR SEATBACK COVER WITH PAD RH

- (a) Remove the seatback cover (with pad) from the seatback frame.

## 11. REMOVE REAR SEATBACK LOCK ASSEMBLY LH

- (a) Remove the 2 bolts and lock.

## 12. REMOVE REAR SEATBACK LOCK ASSEMBLY RH

- (a) Remove the 2 bolts and lock.

## 13. REMOVE REAR SEAT BELT ASSEMBLY OUTER CENTER

- (a) Remove the nut and belt.

