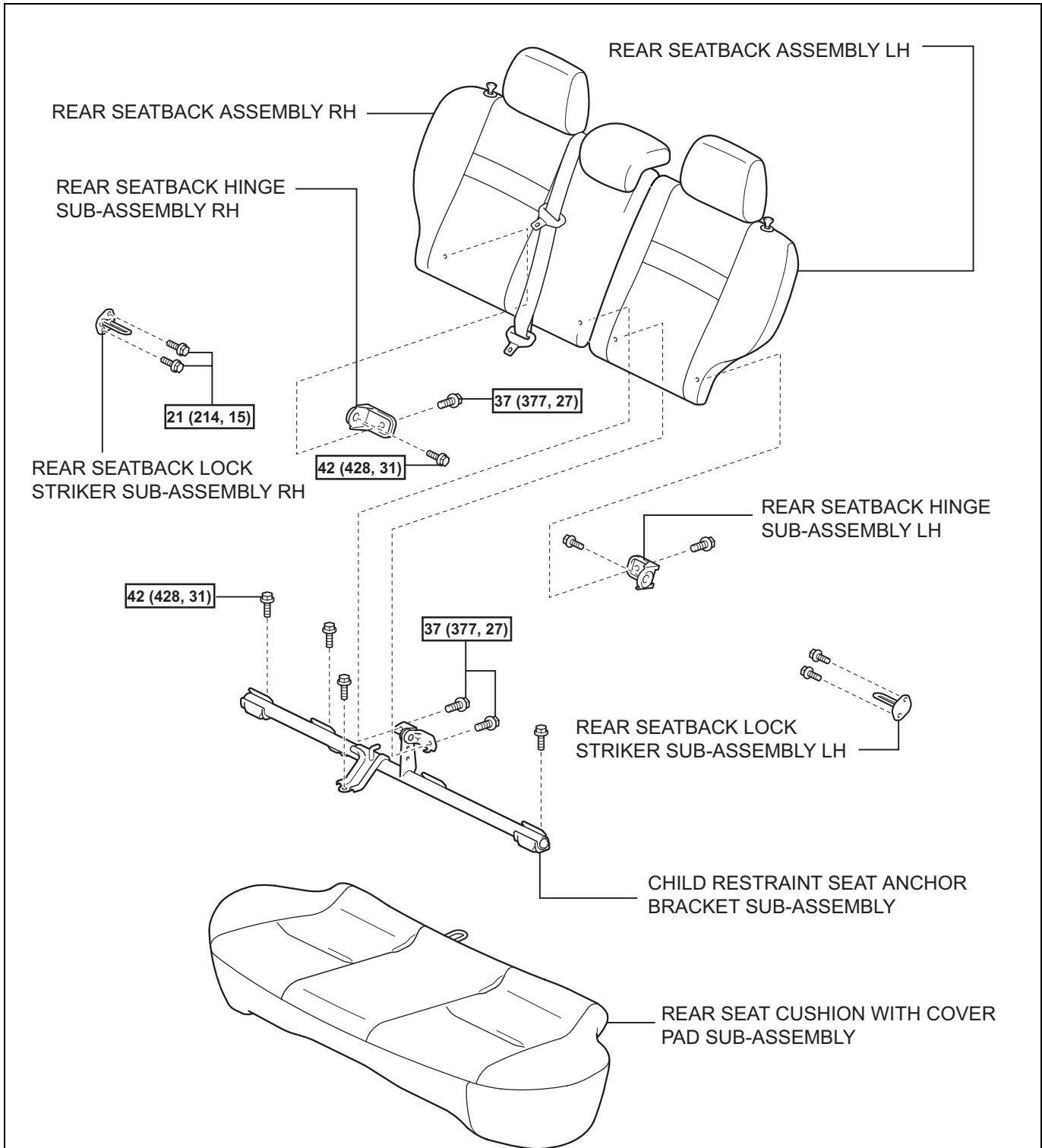


# REAR SEAT ASSEMBLY

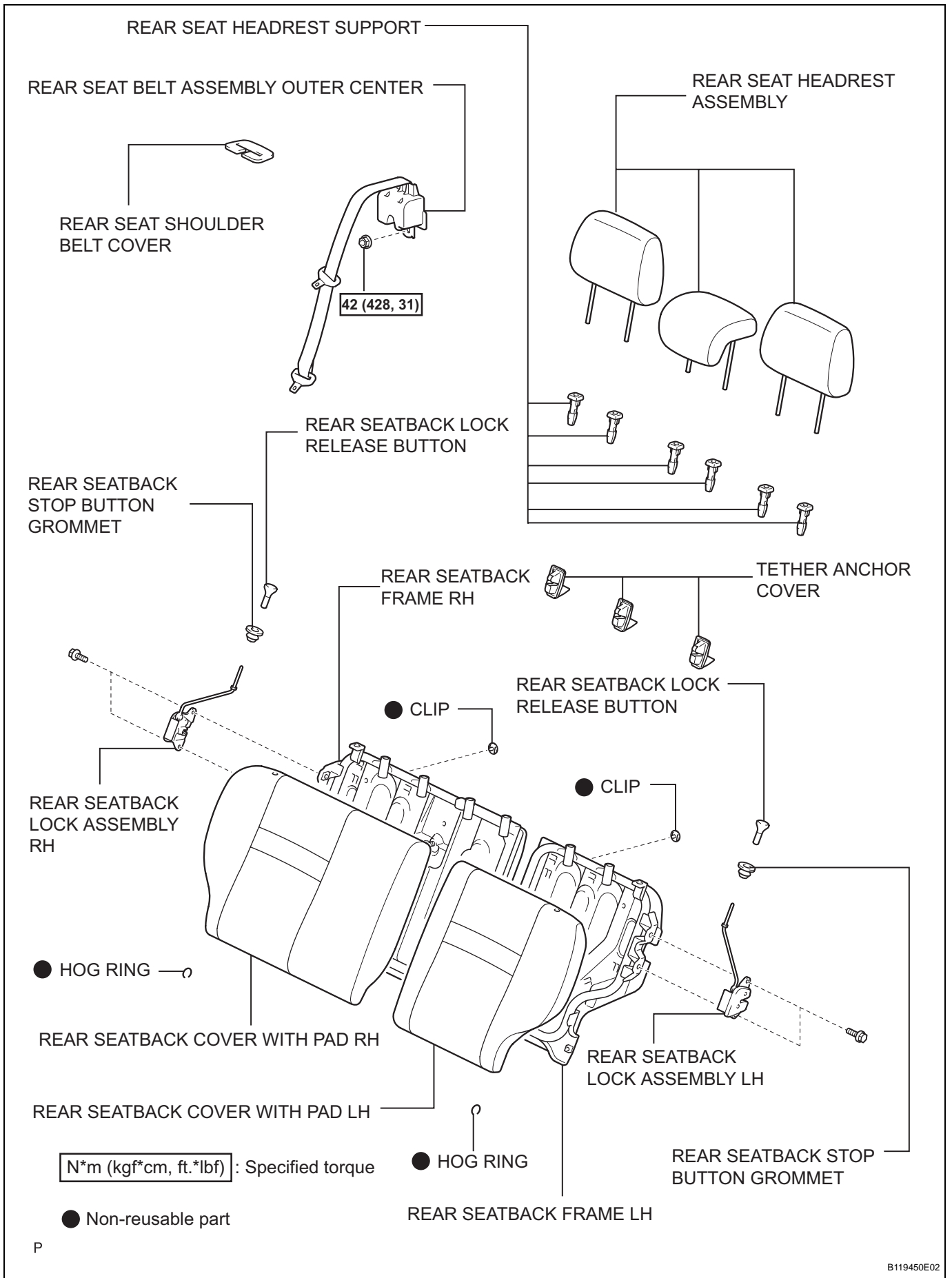
## COMPONENTS



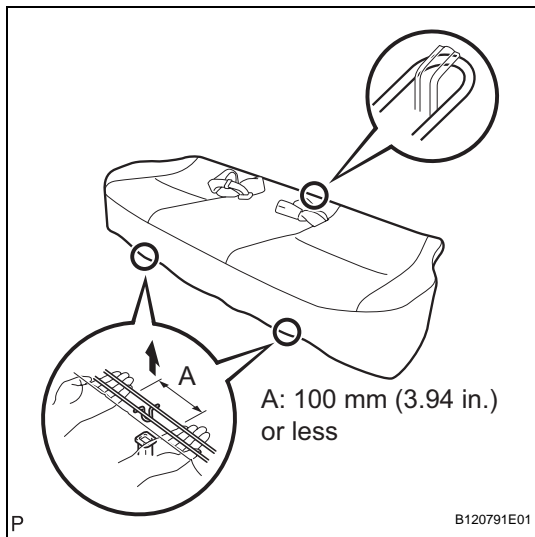
SE

**N\*m (kgf\*cm, ft.\*lbf)** : Specified torque

P



SE



## REMOVAL

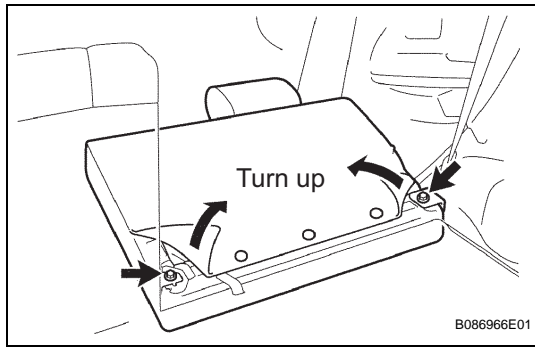
### 1. REMOVE REAR SEAT CUSHION WITH COVER PAD SUB-ASSEMBLY

- (a) Detach the seat cushion's 2 front hooks from the vehicle body.

**NOTICE:**

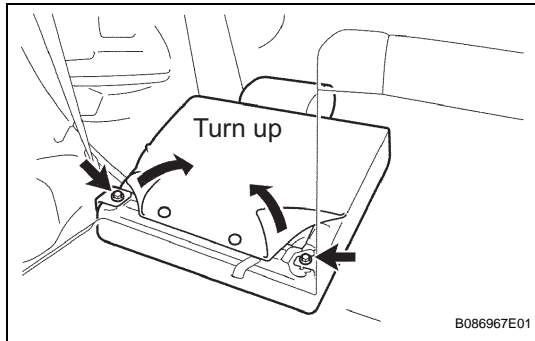
**Follow the instructions below carefully as the cushion frame deforms easily.**

- (1) Choose a hook to detach first. Place your hands near the hook as shown in the illustration. Then lift the seat cushion to detach the hook.
- (2) Repeat for the other hook.
- (b) Detach the seat cushion's rear hook.
- (c) Remove the seat cushion.



### 2. REMOVE REAR SEATBACK ASSEMBLY LH

- (a) Tilt the seatback down toward the front of the vehicle.
- (b) Turn up the seatback cover as shown in the illustration.
- (c) Remove the 2 bolts and seatback.



### 3. REMOVE REAR SEATBACK ASSEMBLY RH

**HINT:**

Use the same procedures described for the LH side.

### 4. REMOVE REAR SEATBACK LOCK STRIKER SUB-ASSEMBLY LH

- (a) Remove the 2 bolts and seatback lock striker.

### 5. REMOVE REAR SEATBACK LOCK STRIKER SUB-ASSEMBLY RH

- (a) Remove the 2 bolts and seatback lock striker.

### 6. REMOVE CHILD RESTRAINT SEAT ANCHOR BRACKET SUB-ASSEMBLY

- (a) Remove the 4 bolts and anchor bracket.