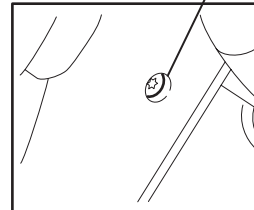
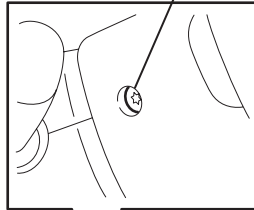


STEERING COLUMN ASSEMBLY

COMPONENTS

8.8 (90, 78 in.*lbf)
"TORX" SCREW

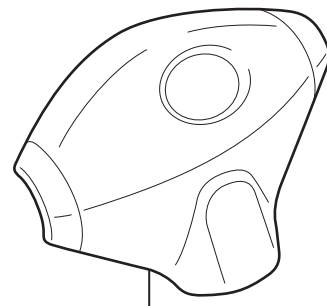
8.8 (90, 78 in.*lbf)
"TORX" SCREW



50 (510, 37)



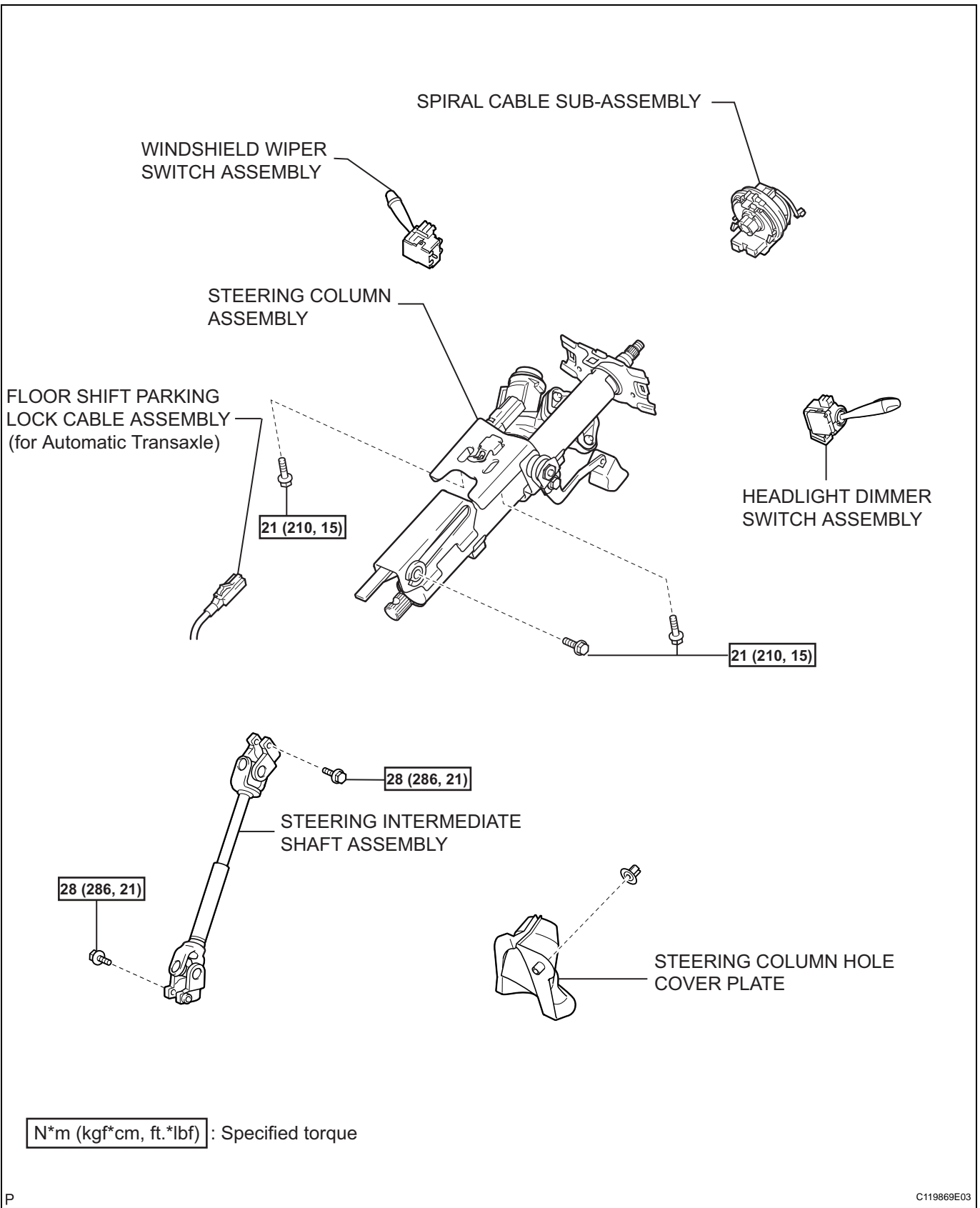
STEERING WHEEL ASSEMBLY



STEERING PAD ASSEMBLY

N*m (kgf*cm, ft.*lbf) : Specified torque

SR



STEERING COLUMN UPPER WITH SWITCH BRACKET ASSEMBLY

IGNITION SWITCH LOCK CYLINDER ASSEMBLY

CLAMP

● STEERING LOCK SET BOLT

UNLOCK WARNING SWITCH ASSEMBLY

IGNITION SWITCH ASSEMBLY

STEERING COLUMN CLAMP UPPER

STEERING TUBE ASSEMBLY

● SNAP RING

● STEERING MAIN SHAFT BUSH

STEERING MAIN SHAFT ASSEMBLY

● SNAP RING

● Non-reusable part

SR

