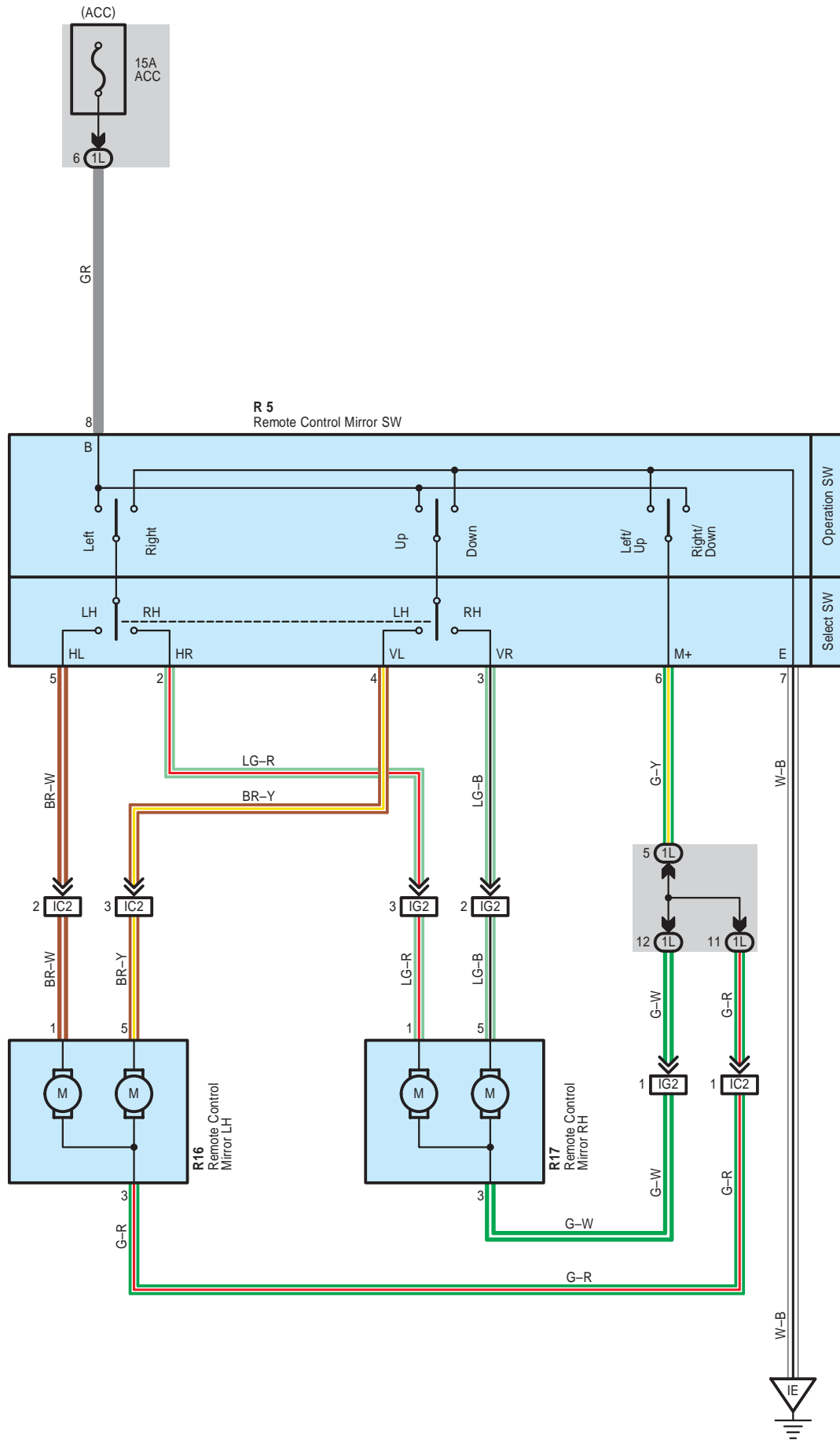


Remote Control Mirror



 : **Parts Location**

Code	See Page	Code	See Page	Code	See Page
R5	31	R16	33	R17	33

 : **Junction Block and Wire Harness Connector**

Code	See Page	Junction Block and Wire Harness (Connector Location)
1L	25	Instrument Panel Wire and Instrument Panel J/B (Lower Finish Panel)

 : **Connector Joining Wire Harness and Wire Harness**

Code	See Page	Joining Wire Harness and Wire Harness (Connector Location)
IC2	35	Front Door LH Wire and Instrument Panel Wire (Left Kick Panel)
IG2	35	Front Door RH Wire and Instrument Panel Wire (Right Kick Panel)

 : **Ground Points**

Code	See Page	Ground Points Location
IE	35	Left Kick Panel