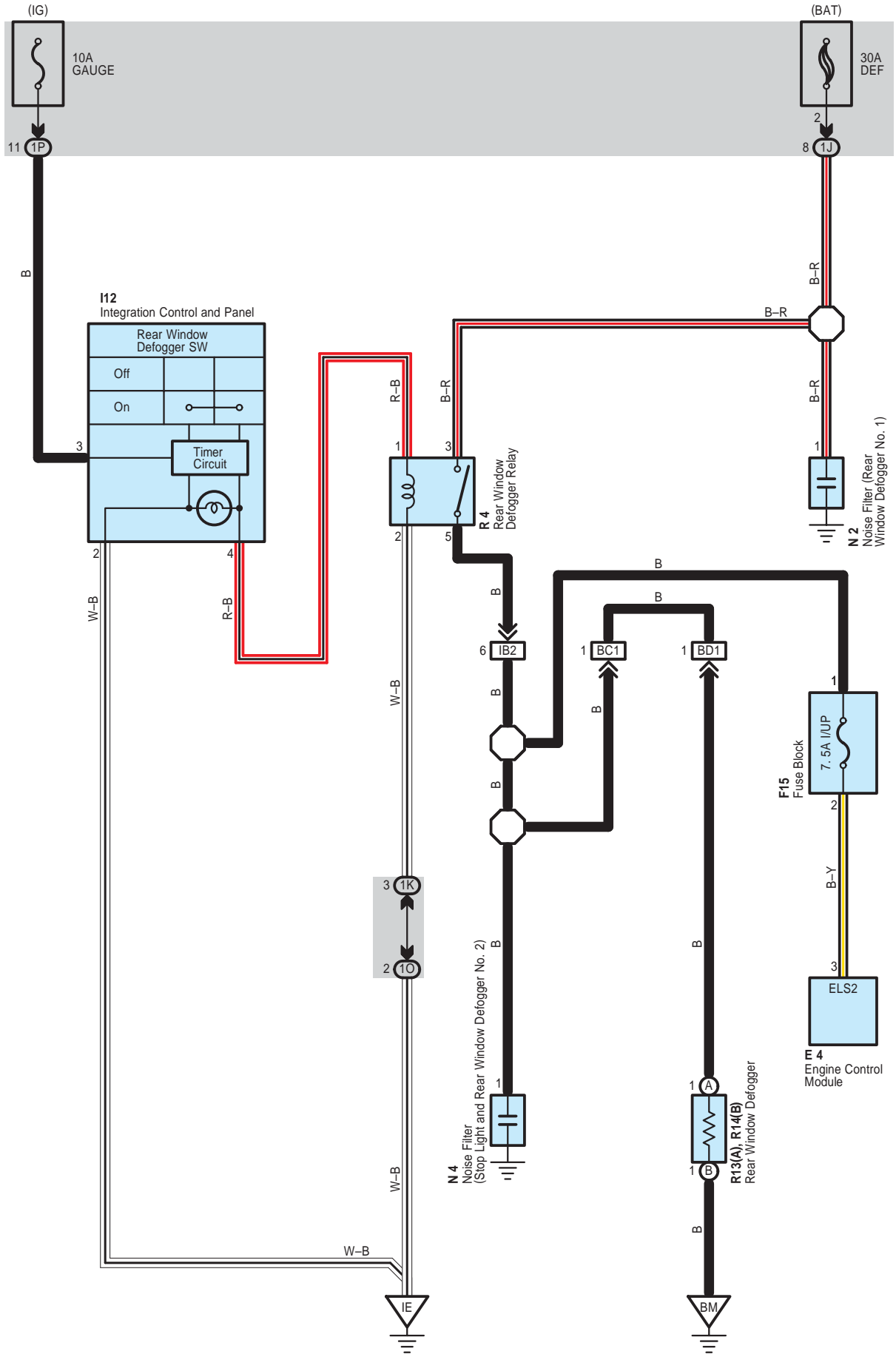


Rear Window Defogger



 : **Parts Location**

Code	See Page	Code	See Page	Code	See Page
E4	30	N2	31	R13	A 33
F15	30	N4	33	R14	B 33
I12	30	R4	31		

 : **Junction Block and Wire Harness Connector**

Code	See Page	Junction Block and Wire Harness (Connector Location)
1J	25	Instrument Panel Wire and Instrument Panel J/B (Lower Finish Panel)
1K		
1O		
1P		

 : **Connector Joining Wire Harness and Wire Harness**

Code	See Page	Joining Wire Harness and Wire Harness (Connector Location)
IB2	35	Floor Wire and Instrument Panel Wire (Behind the Reinforcement LH)
BC1	36	Back Door No.1 Wire and Floor Wire (Right Rear Side Quarter Pillar)
BD1	36	Back Door No.1 Wire and Rear Window No.1 Wire (Right Side of Back Door)

 : **Ground Points**

Code	See Page	Ground Points Location
IE	35	Left Kick Panel
BM	36	Back Door LH