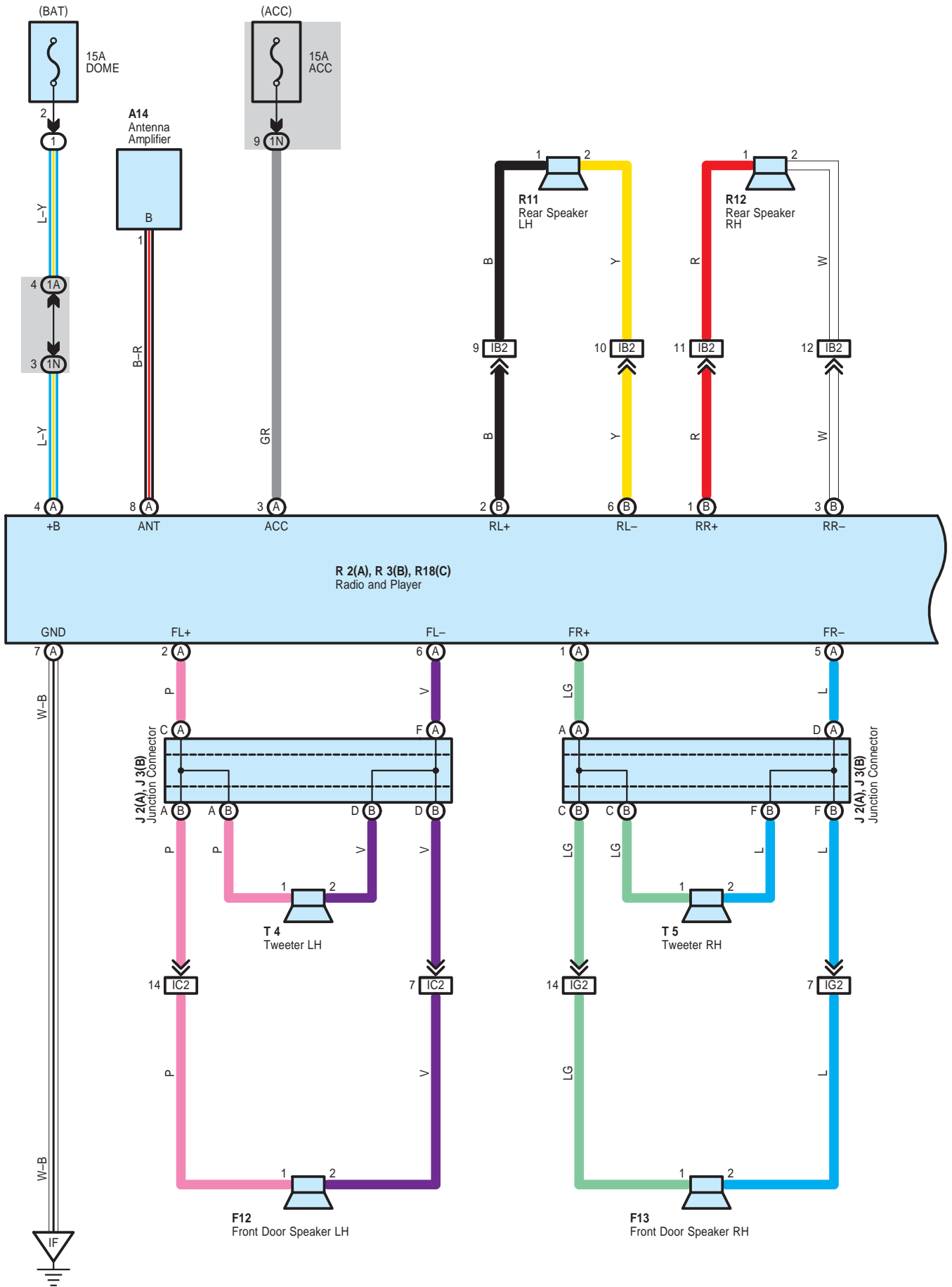
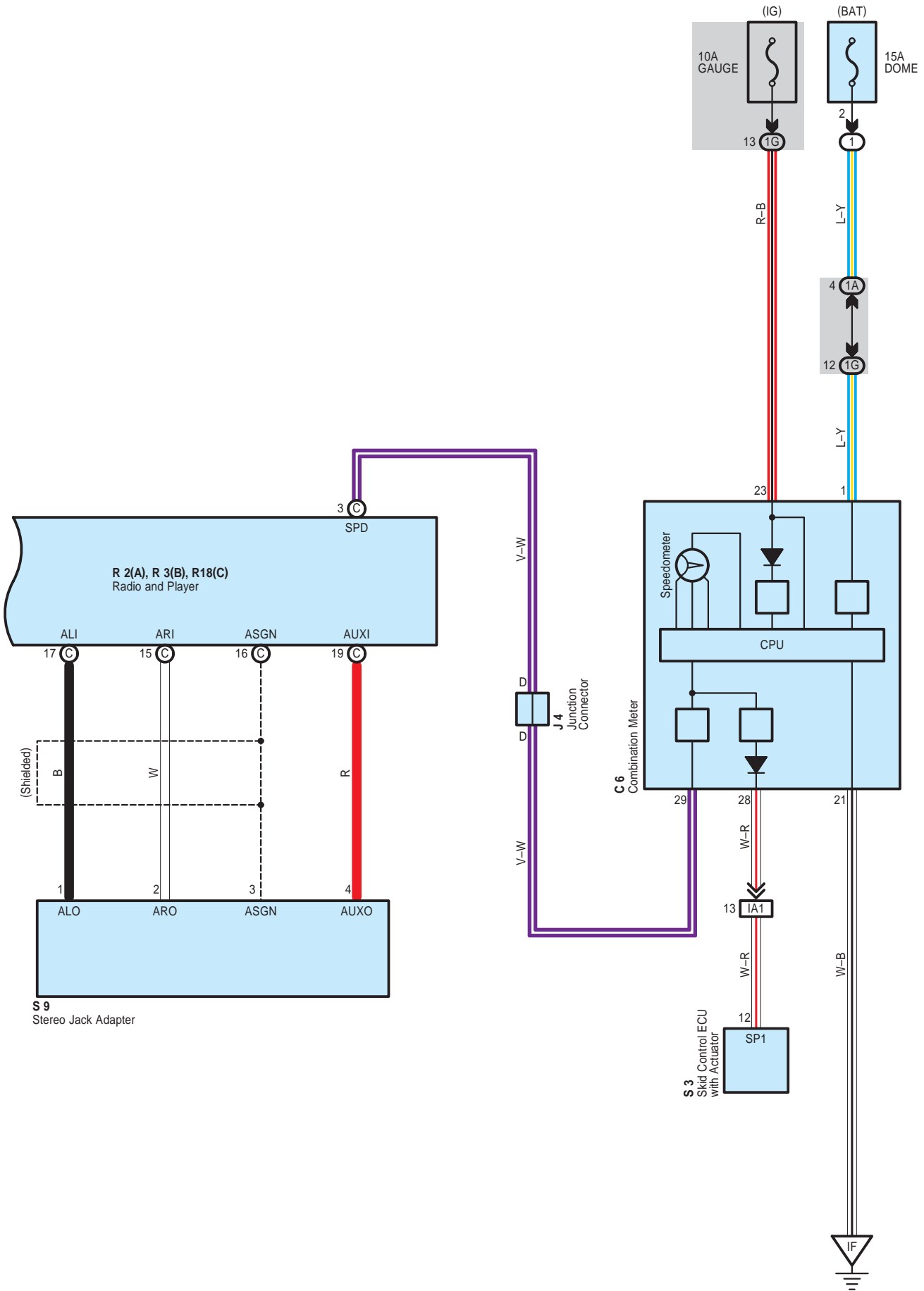


Audio System





Audio System

○ : Parts Location

Code	See Page	Code	See Page	Code	See Page
A14	30	J4	31	S3	29
C6	30	R2	A 31	S9	31
F12	32	R3	B 31	T4	31
F13	32	R11	33	T5	31
J2	A 31	R12	33		
J3	B 31	R18	C 31		

○ : Relay Blocks

Code	See Page	Relay Blocks (Relay Block Location)
1	22	Engine Room R/B (Engine Compartment Left)

○ : Junction Block and Wire Harness Connector

Code	See Page	Junction Block and Wire Harness (Connector Location)
1A	24	Engine Room Main Wire and Instrument Panel J/B (Lower Finish Panel)
1G	25	Instrument Panel Wire and Instrument Panel J/B (Lower Finish Panel)
1N		

□ : Connector Joining Wire Harness and Wire Harness

Code	See Page	Joining Wire Harness and Wire Harness (Connector Location)
IA1	35	Engine Room Main Wire and Instrument Panel Wire (Behind the Reinforcement LH)
IB2	35	Floor Wire and Instrument Panel Wire (Behind the Reinforcement LH)
IC2	35	Front Door LH Wire and Instrument Panel Wire (Left Kick Panel)
IG2	35	Front Door RH Wire and Instrument Panel Wire (Right Kick Panel)

▽ : Ground Points

Code	See Page	Ground Points Location
IF	35	Instrument Panel Brace LH

