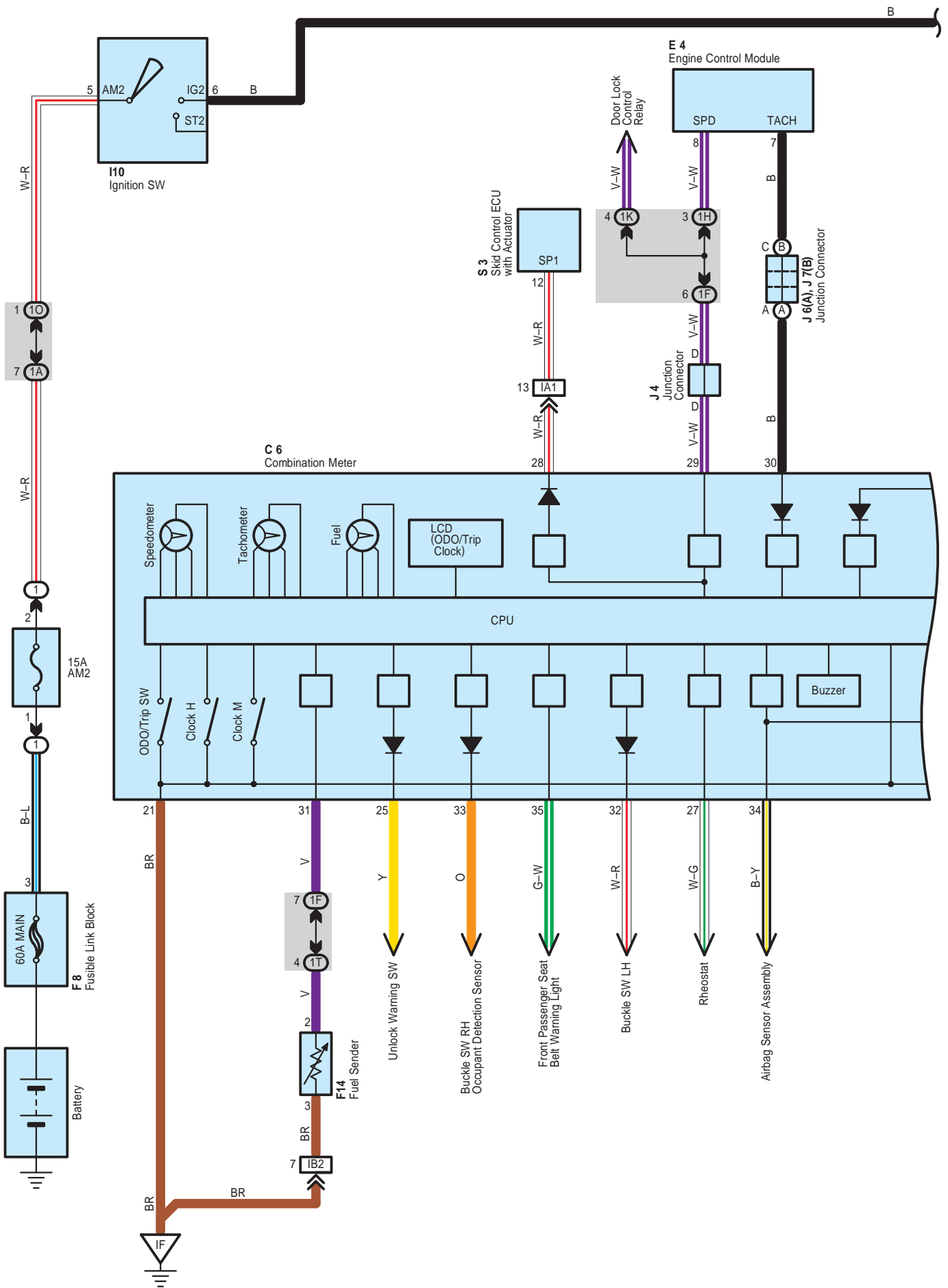
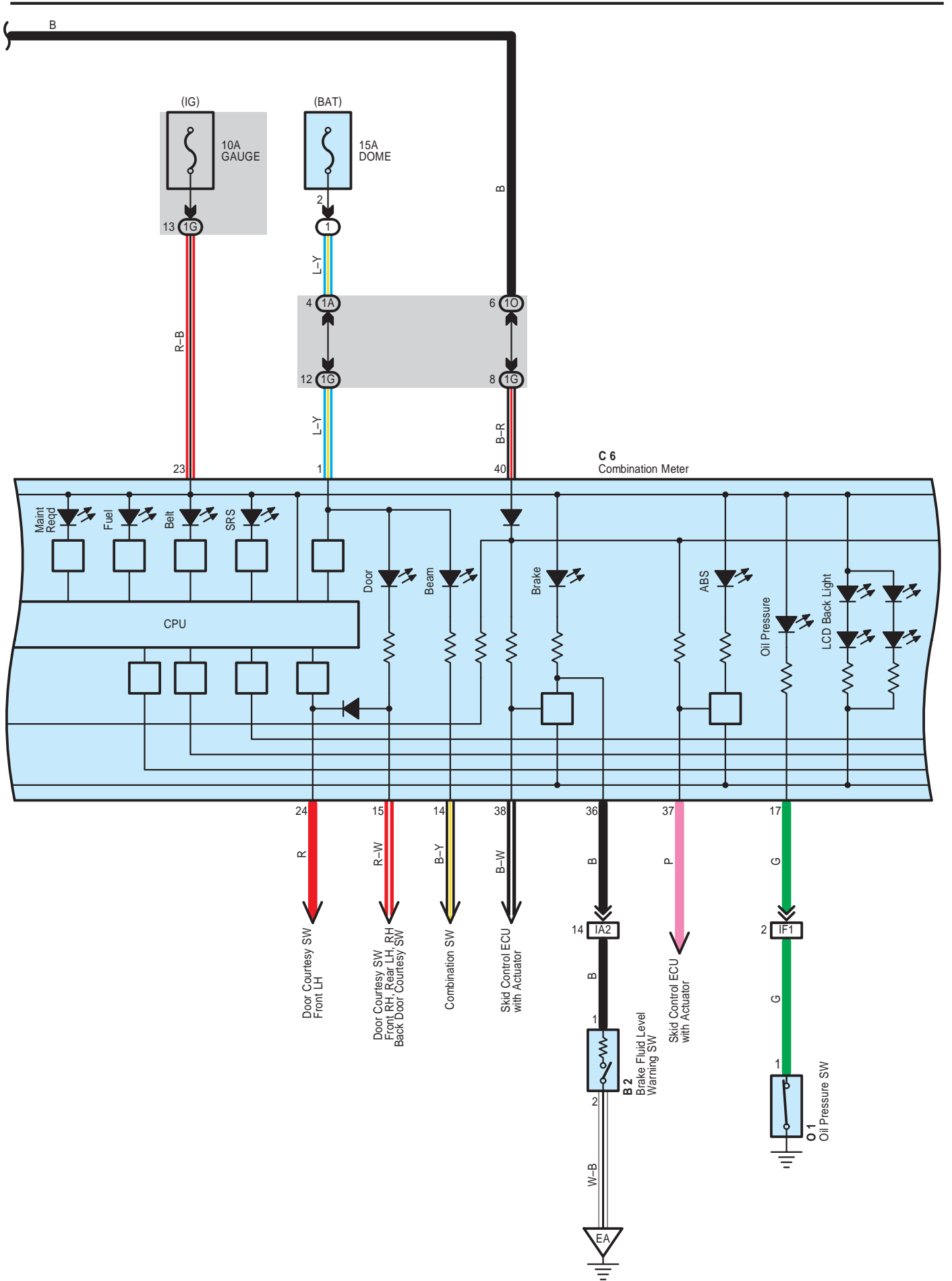
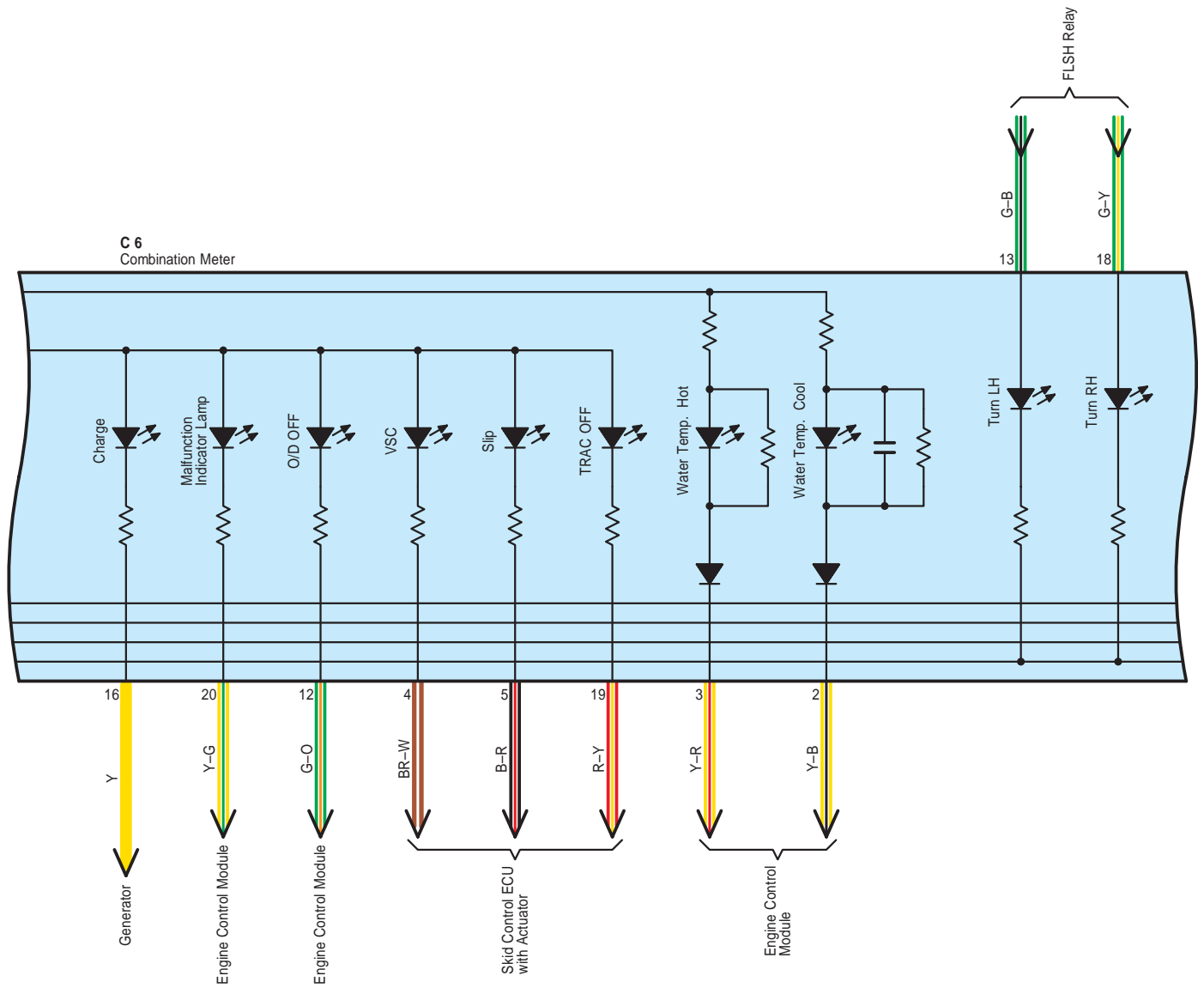


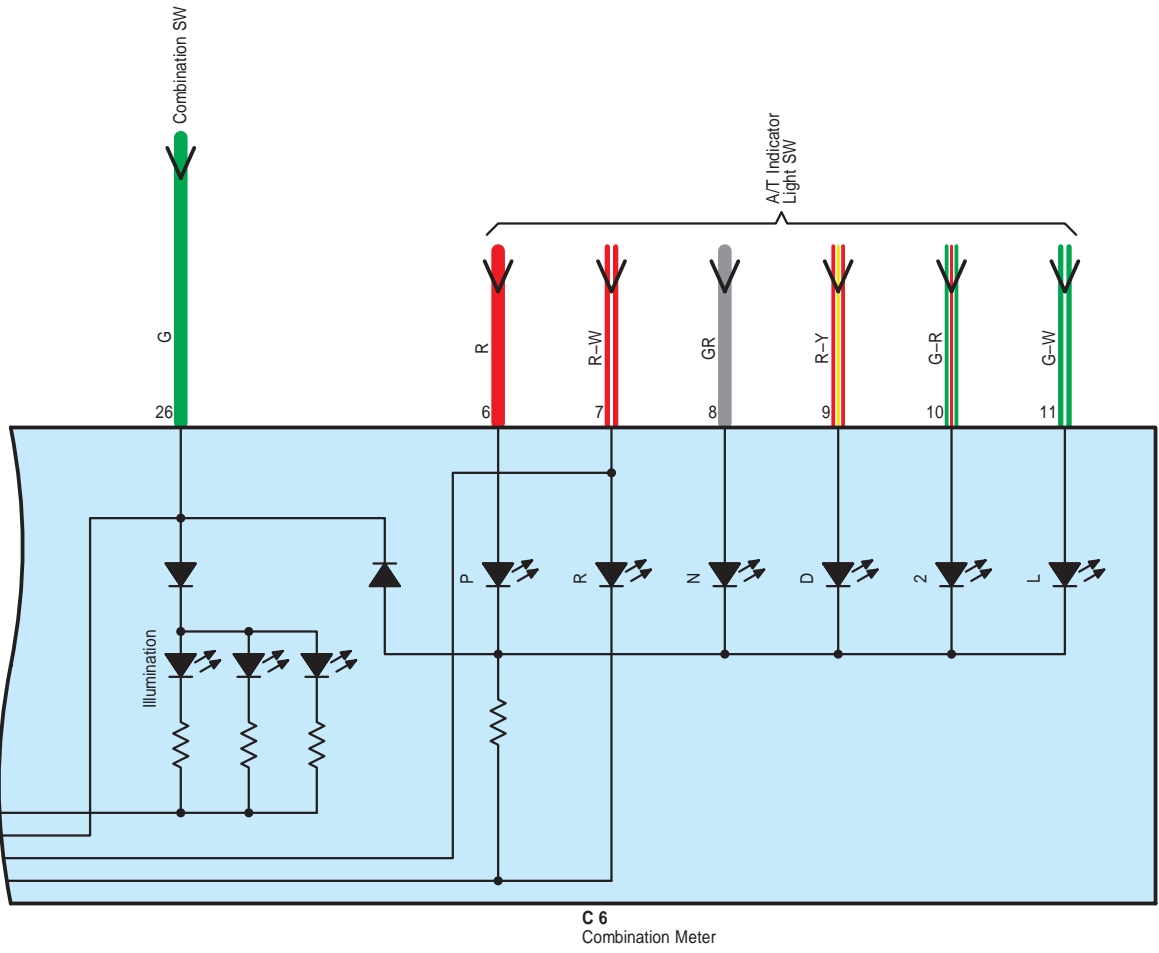
# Combination Meter





# Combination Meter





# Combination Meter

## : Parts Location

Code	See Page	Code	See Page	Code	See Page
B2	28	F14	32	J7   B	31
C6	30	I10	30	O1	29
E4	30	J4	31	S3	29
F8	28	J6   A	31		

## : Relay Blocks

Code	See Page	Relay Blocks (Relay Block Location)
1	22	Engine Room R/B (Engine Compartment Left)

## : Junction Block and Wire Harness Connector

Code	See Page	Junction Block and Wire Harness (Connector Location)
1A	24	Engine Room Main Wire and Instrument Panel J/B (Lower Finish Panel)
1F	25	Instrument Panel Wire and Instrument Panel J/B (Lower Finish Panel)
1G		
1H		
1K		
1O		
1T	24	Floor Wire and Instrument Panel J/B (Lower Finish Panel)

## : Connector Joining Wire Harness and Wire Harness

Code	See Page	Joining Wire Harness and Wire Harness (Connector Location)
IA1	35	Engine Room Main Wire and Instrument Panel Wire (Behind the Reinforcement LH)
IA2		
IB2	35	Floor Wire and Instrument Panel Wire (Behind the Reinforcement LH)
IF1	35	Engine Wire and Instrument Panel Wire (Behind the Glove Box)

## : Ground Points

Code	See Page	Ground Points Location
EA	34	Front Right Fender Apron
IF	35	Instrument Panel Brace LH

