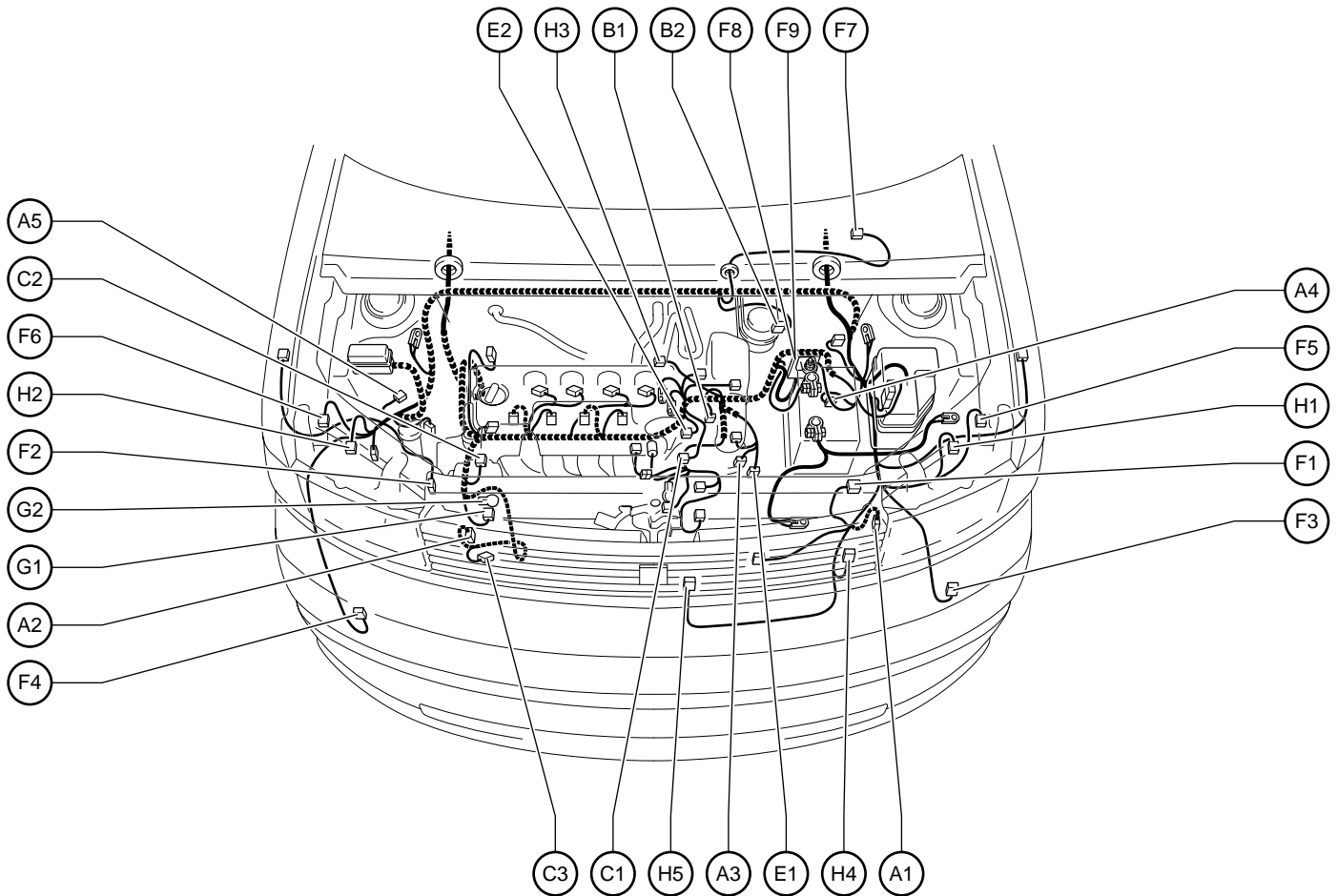


# G ELECTRICAL WIRING ROUTING

## Position of Parts in Engine Compartment



- A 1 A/C Condenser Fan Resistor
- A 2 A/C Magnetic Valve
- A 3 A/T Indicator Light SW  
Back-Up Light SW  
Park/Neutral Position SW
- A 4 ABS Speed Sensor Front LH
- A 5 ABS Speed Sensor Front RH

- B 1 Back-Up Light SW
- B 2 Brake Fluid Level Warning SW

- C 1 Camshaft Position Sensor
- C 2 Camshaft Timing Oil Control Valve
- C 3 Crankshaft Position Sensor

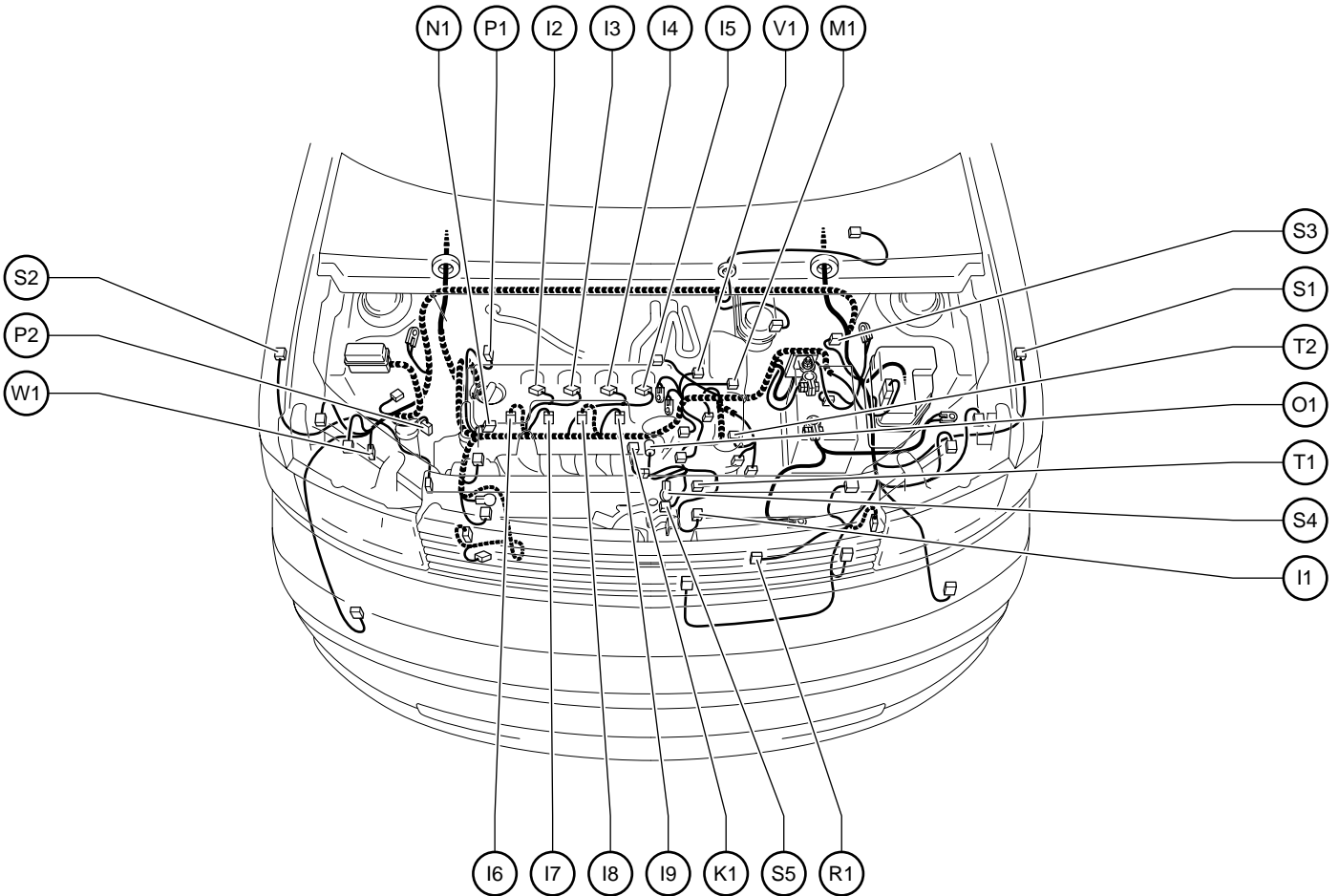
- E 1 Electronically Controlled Transmission Solenoid
- E 2 Engine Coolant Temp. Sensor

- F 1 Front Airbag Sensor LH
- F 2 Front Airbag Sensor RH
- F 3 Front Fog Light LH
- F 4 Front Fog Light RH
- F 5 Front Parking Light LH  
Front Turn Signal Light LH
- F 6 Front Parking Light RH  
Front Turn Signal Light RH
- F 7 Front Wiper Motor
- F 8 Fusible Link Block
- F 9 Fusible Link Block

- G 1 Generator
- G 2 Generator

- H 1 Headlight LH
- H 2 Headlight RH
- H 3 Heated Oxygen Sensor (Bank 1 Sensor 1)
- H 4 Horn (High)
- H 5 Horn (Low)

## Position of Parts in Engine Compartment



I 1 Idle Air Control Valve  
 I 2 Ignition Coil and Igniter No.1  
 I 3 Ignition Coil and Igniter No.2  
 I 4 Ignition Coil and Igniter No.3  
 I 5 Ignition Coil and Igniter No.4  
 I 6 Injector No.1  
 I 7 Injector No.2  
 I 8 Injector No.3  
 I 9 Injector No.4

K 1 Knock Sensor (Bank 1)

M 1 Mass Air Flow Meter

N 1 Noise Filter (Ignition)

O 1 Oil Pressure SW

P 1 Power Steering Oil Pressure Sensor  
 P 2 Pressure Sensor

R 1 Radiator Fan Motor

S 1 Side Turn Signal Light LH

S 2 Side Turn Signal Light RH

S 3 Skid Control ECU with Actuator

S 4 Starter

S 5 Starter

T 1 Throttle Position Sensor

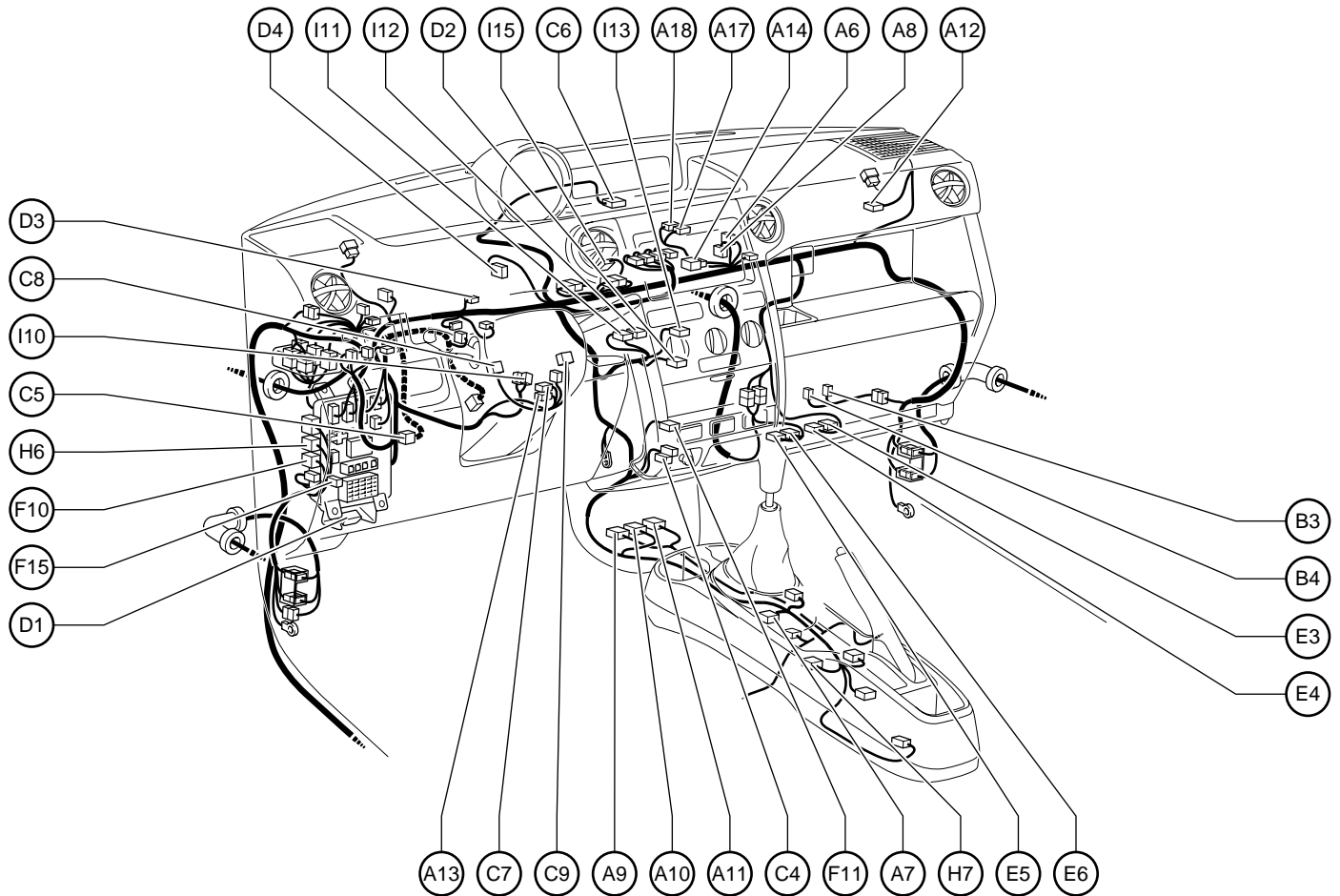
T 2 Turbine Speed Sensor

V 1 VSV (Purge)

W 1 Washer Motor

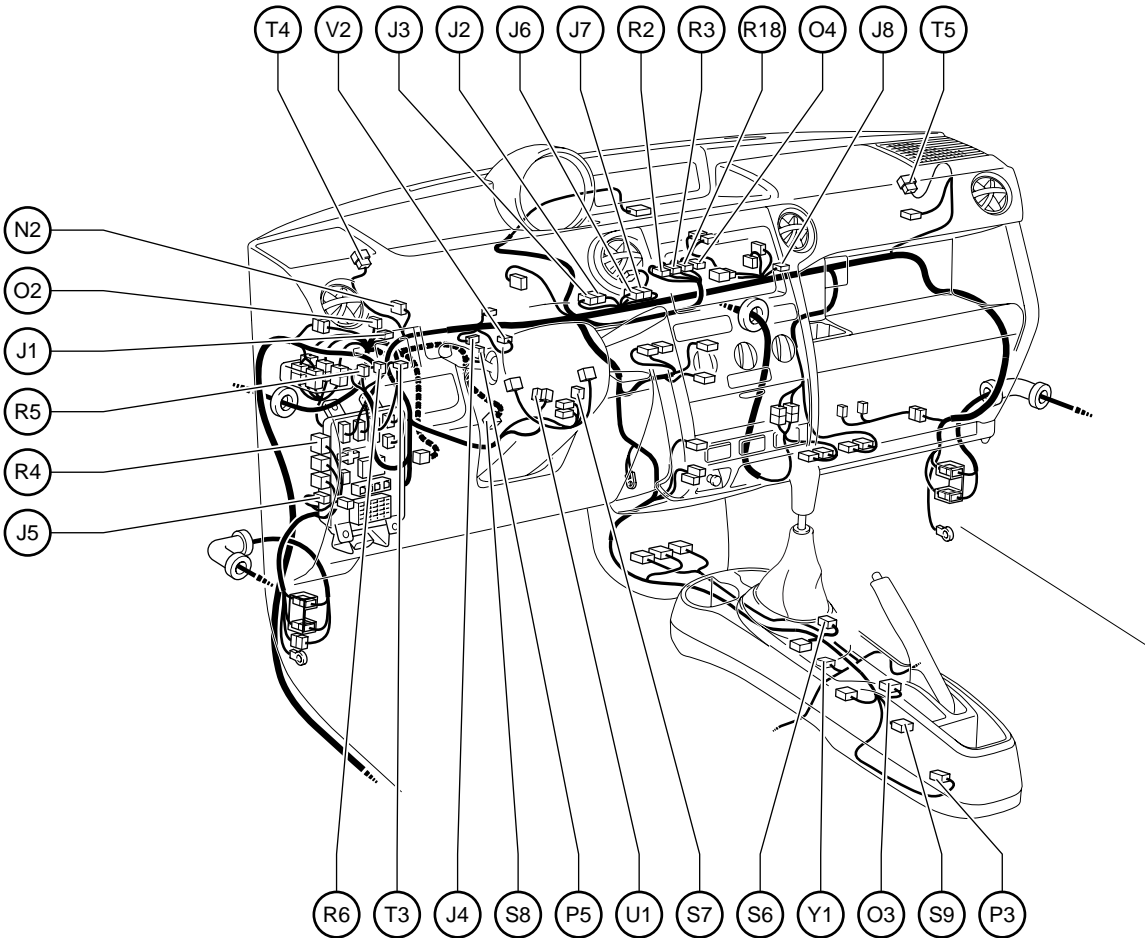
# G ELECTRICAL WIRING ROUTING

## Position of Parts in Instrument Panel



- |   |  |
|---|--|
| A 6 A/C Thermistor                                    | D 1 Data Link Connector 3  |
| A 7 A/T Shift Lever Illumination<br>O/D Main SW       | D 2 Defroster Mode Detection SW<br>Inlet Air Position Detection SW |
| A 8 Air Inlet Servo Motor                             | D 3 Door Control Receiver  |
| A 9 Airbag Sensor Assembly                            | D 4 Door Lock Control Relay  |
| A 10 Airbag Sensor Assembly                           | E 3 Engine Control Module  |
| A 11 Airbag Sensor Assembly                           | E 4 Engine Control Module  |
| A 12 Airbag Squib (Front Passenger's Airbag Assembly) | E 5 Engine Control Module  |
| A 13 Airbag Squib (Steering Wheel Pad)                | E 6 Engine Control Module  |
| A 14 Antenna Amplifier                                | F 10 Front Fog Light Relay   |
| A 17 A/C Amplifier                                    | F 11 Front Fog Light SW  |
| A 18 A/C Amplifier                                    | F 15 Fuse Block  |
| B 3 Blower Motor                                      | H 6 Headlight Relay  |
| B 4 Blower Resistor                                   | H 7 Heated Oxygen Sensor (Bank 1 Sensor 2)                         |
| C 4 Cigarette Lighter                                 | I 10 Ignition SW   |
| C 5 Clutch Start SW                                   | I 11 Integration Control and Panel                                 |
| C 6 Combination Meter                                 | I 12 Integration Control and Panel                                 |
| C 7 Combination SW                                    | I 13 Integration Control and Panel                                 |
| C 8 Combination SW                                    | I 15 Integration Control and Panel                                 |
| C 9 Combination SW                                    |  |

## Position of Parts in Instrument Panel



J 1 Junction Connector  
 J 2 Junction Connector  
 J 3 Junction Connector  
 J 4 Junction Connector  
 J 5 Junction Connector  
 J 6 Junction Connector  
 J 7 Junction Connector  
 J 8 Junction Connector

N 2 Noise Filter (Rear Window Defogger No.1)

O 2 Option Connector (TVIP)  
 O 3 Option Connector (IPOD Unit)  
 O 4 Option Connector (Radio and Player)

P 3 Parking Brake SW  
 P 5 PTC Heater

R 2 Radio and Player  
 R 3 Radio and Player  
 R 4 Rear Window Defogger Relay  
 R 5 Remote Control Mirror SW  
 R 6 Rheostat  
 R18 Radio and Player  
 R19 Radio and Player

S 6 Shift Lock Control SW  
 S 7 Steering Sensor  
 S 8 Stop Light SW  
 S 9 Stereo Jack Adapter

T 3 TRAC OFF SW  
 T 4 Tweeter LH  
 T 5 Tweeter RH

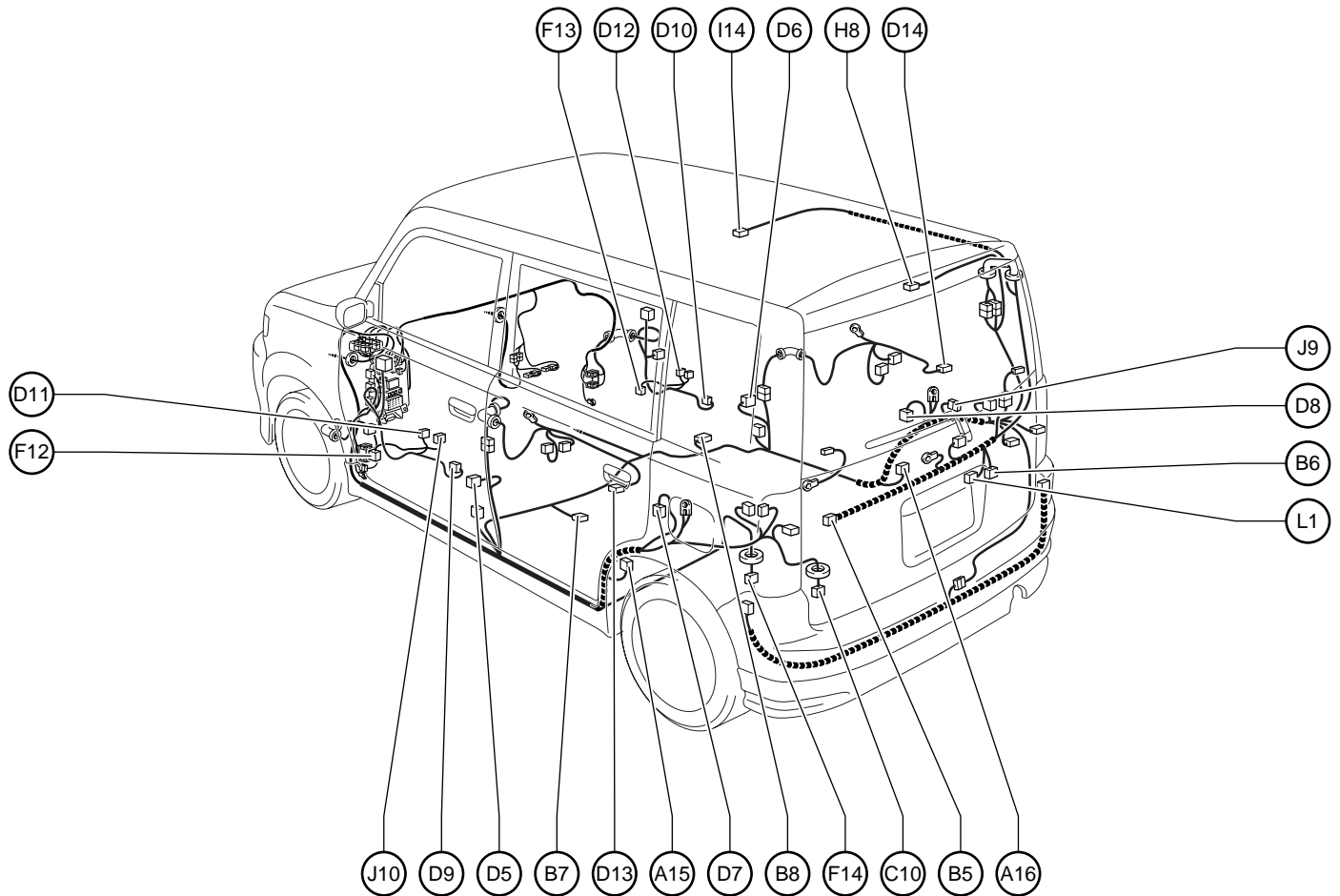
U 1 Unlock Warning SW

V 2 VSC Buzzer

Y 1 Yaw Rate Sensor

# G ELECTRICAL WIRING ROUTING

## Position of Parts in Body



A 15 ABS Speed Sensor Rear LH  
 A 16 ABS Speed Sensor Rear RH

B 5 Back Door Courtesy SW  
 Back Door Lock Motor  
 B 6 Back Door Opener SW  
 B 7 Buckle SW LH  
 Seat Position Sensor  
 B 8 Buckle SW RH  
 Occupant Detection Sensor

C 10 Canister Pump Module

D 5 Door Courtesy SW Front LH  
 D 6 Door Courtesy SW Front RH  
 D 7 Door Courtesy SW Rear LH  
 D 8 Door Courtesy SW Rear RH  
 D 9 Door Key Lock and Unlock SW Front LH  
 Door Lock Motor Front LH  
 Door Unlock Detection SW Front LH  
 D 10 Door Key Lock and Unlock SW Front RH  
 Door Lock Motor Front RH  
 D 11 Door Lock Control SW Front LH  
 Power Window Master SW  
 D 12 Door Lock Control SW Front RH  
 D 13 Door Lock Motor Rear LH  
 D 14 Door Lock Motor Rear RH

F 12 Front Door Speaker LH  
 F 13 Front Door Speaker RH  
 F 14 Fuel Pump  
 Fuel Sender

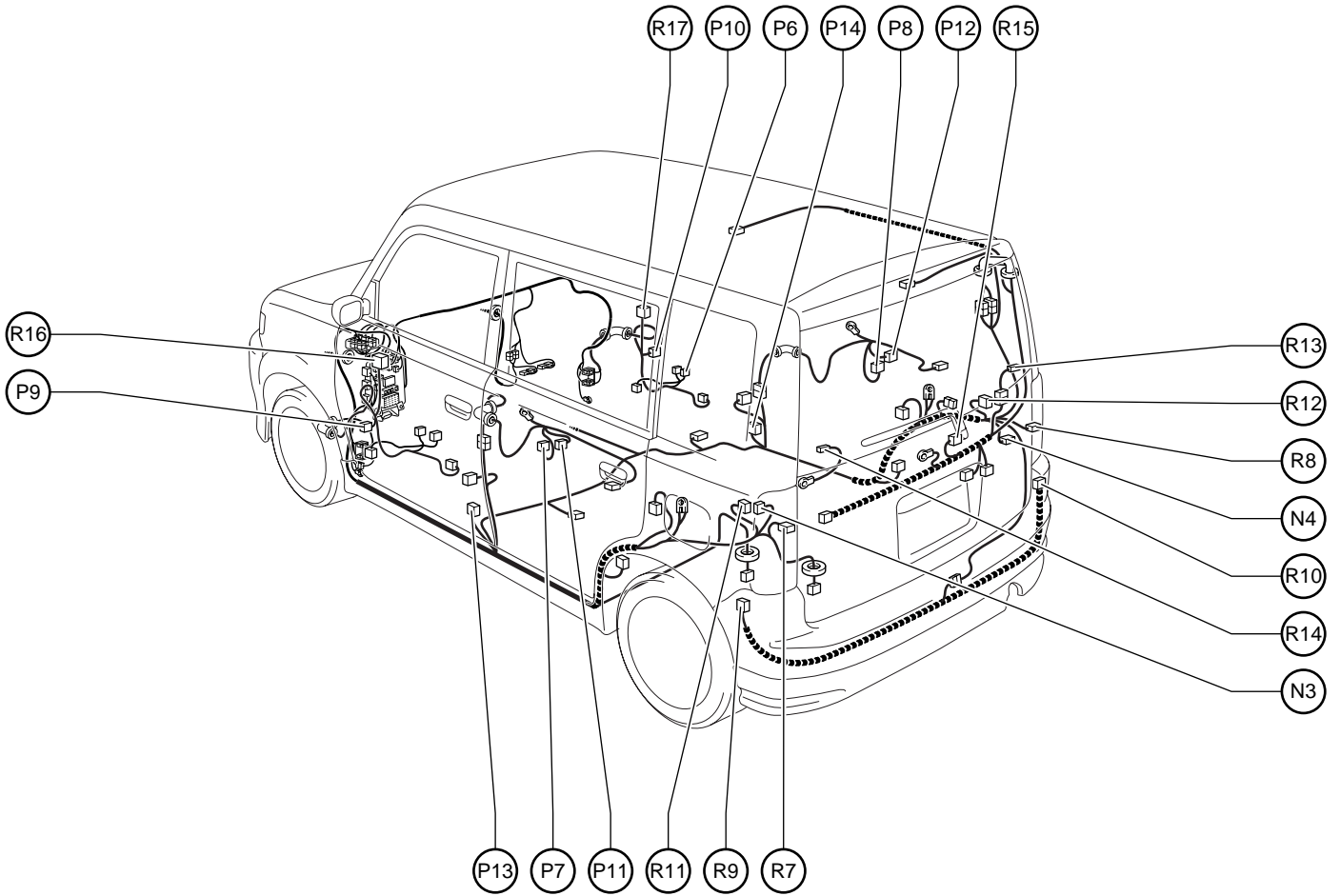
H 8 High Mounted Stop Light

I 14 Interior Light

J 9 Junction Connector  
 J 10 Junction Connector

L 1 License Plate Light

## Position of Parts in Body



N 3 Noise Filter (Fuel Pump)

N 4 Noise Filter  
(Stop Light and Rear Window Defogger No.2)

P 6 Power Window Control SW Front RH

P 7 Power Window Control SW Rear LH

P 8 Power Window Control SW Rear RH

P 9 Power Window Motor Front LH

P10 Power Window Motor Front RH

P11 Power Window Motor Rear LH

P12 Power Window Motor Rear RH

P13 Pretensioner LH

P14 Pretensioner RH

R 7 Rear Combination Light LH

R 8 Rear Combination Light RH

R 9 Rear Side Marker Light LH

R10 Rear Side Marker Light RH

R11 Rear Speaker LH

R12 Rear Speaker RH

R13 Rear Window Defogger

R14 Rear Window Defogger

R15 Rear Wiper Motor

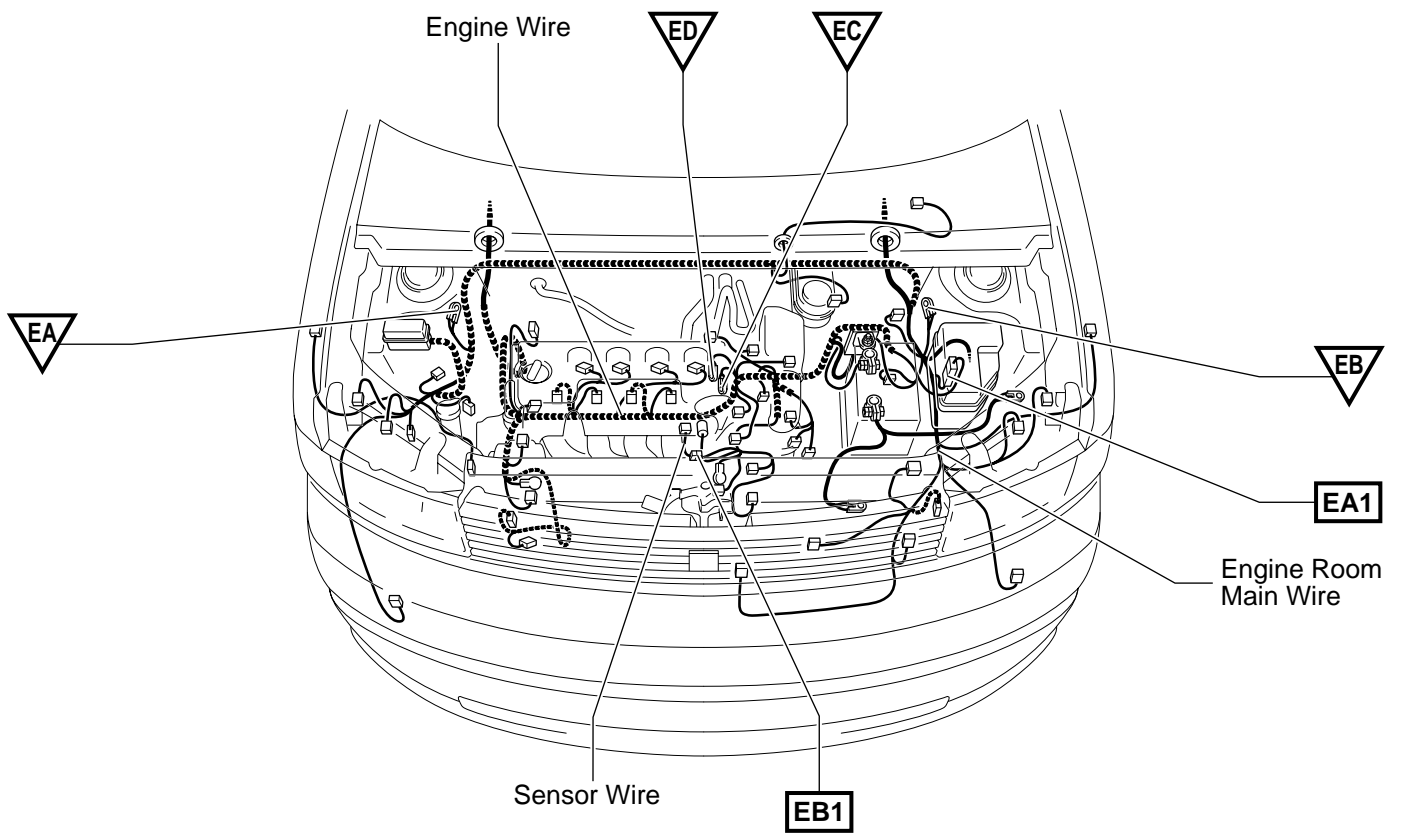
R16 Remote Control Mirror LH

R17 Remote Control Mirror RH

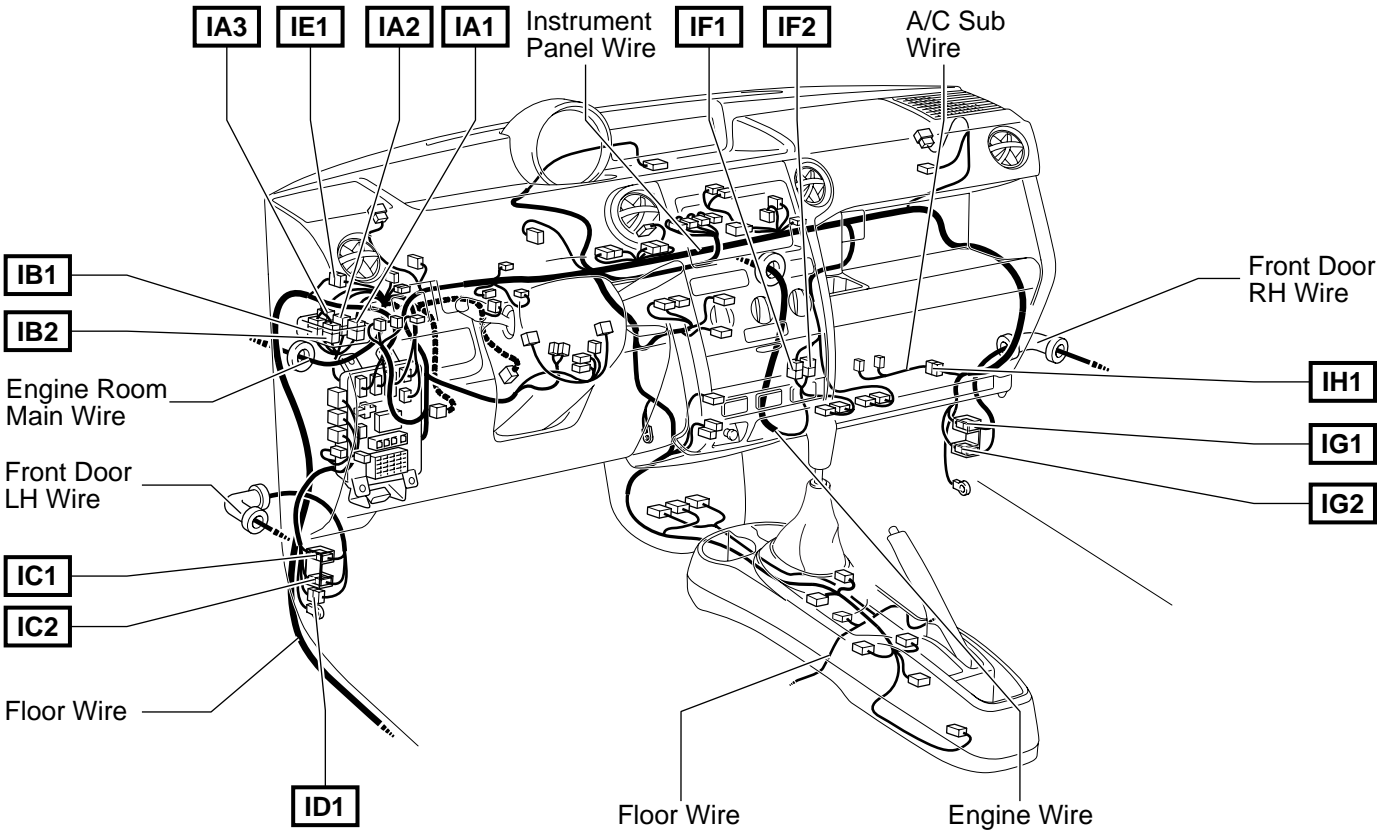
## G ELECTRICAL WIRING ROUTING

□ : Location of Connector Joining Wire Harness and Wire Harness

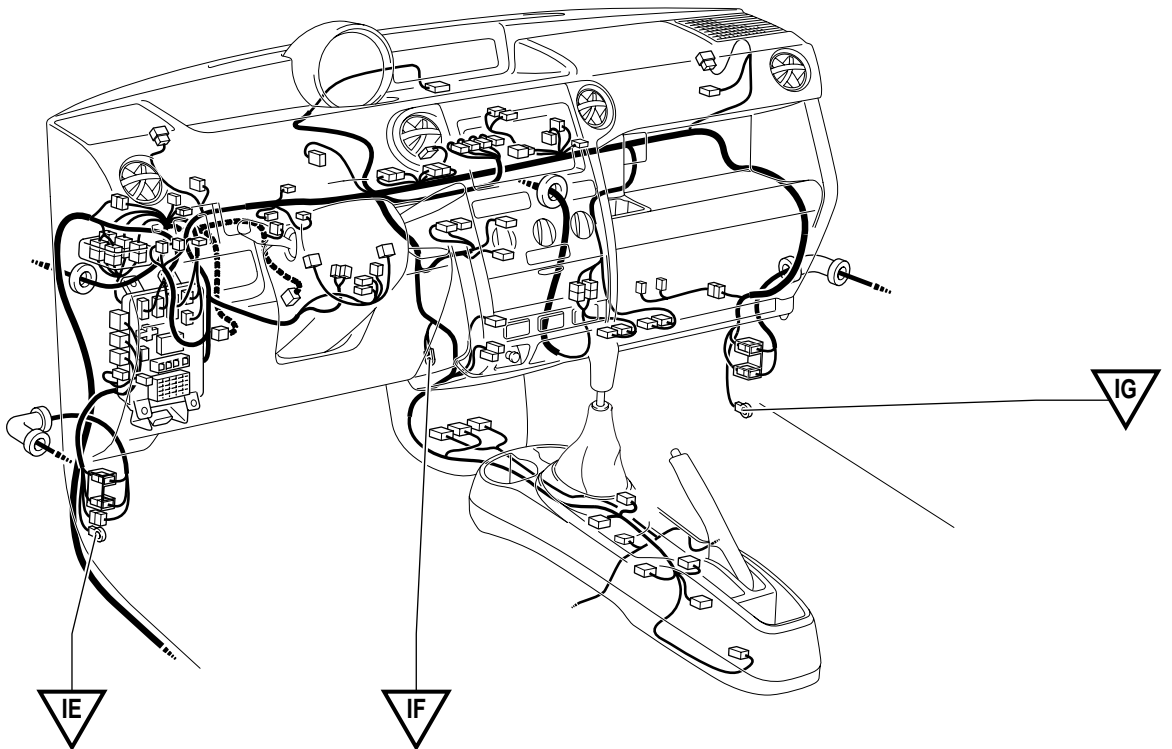
▽ : Location of Ground Points



**□ : Location of Connector Joining Wire Harness and Wire Harness**



**▽ : Location of Ground Points**





# G ELECTRICAL WIRING ROUTING

□ : Location of Connector Joining Wire Harness and Wire Harness

▽ : Location of Ground Points

