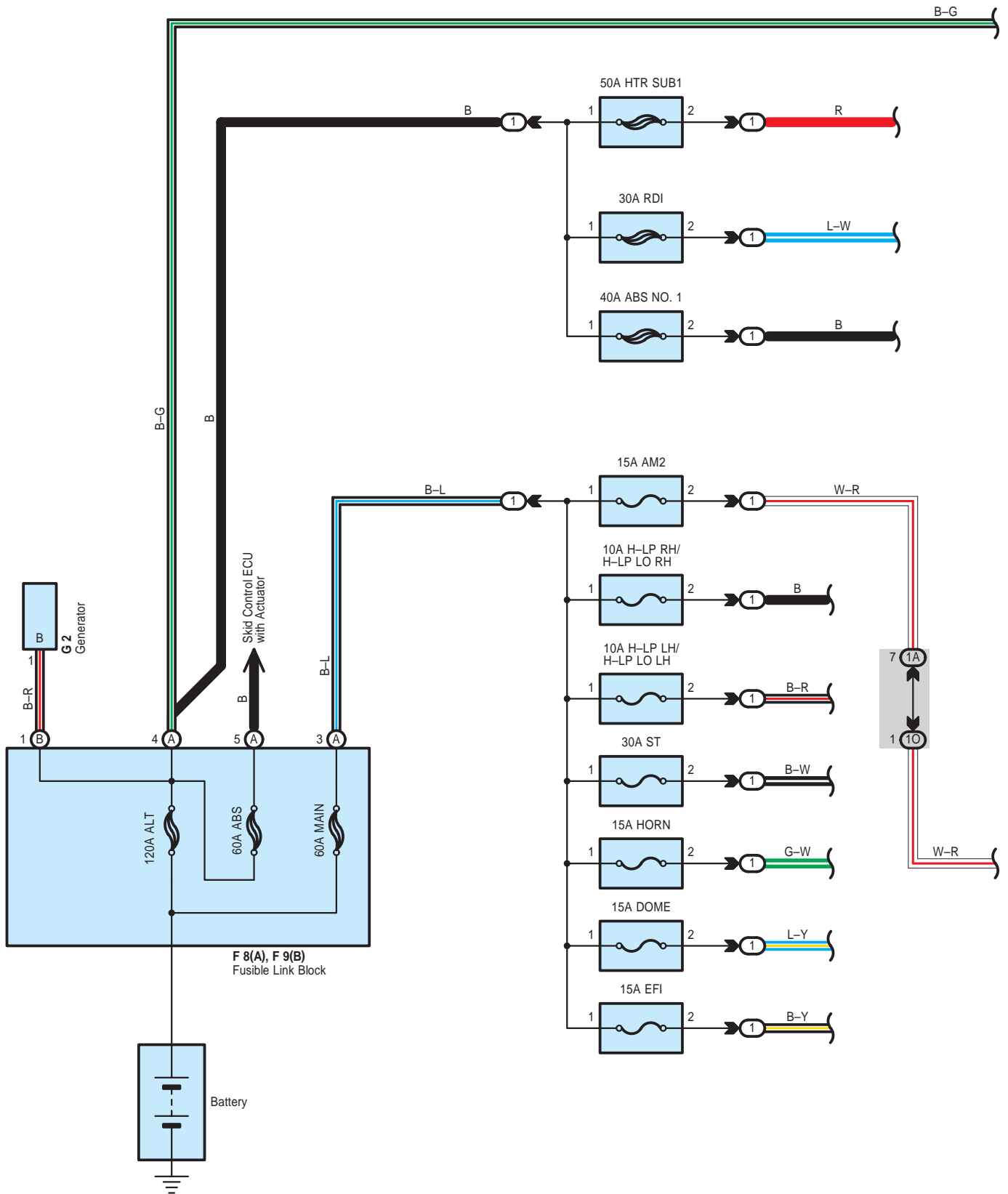
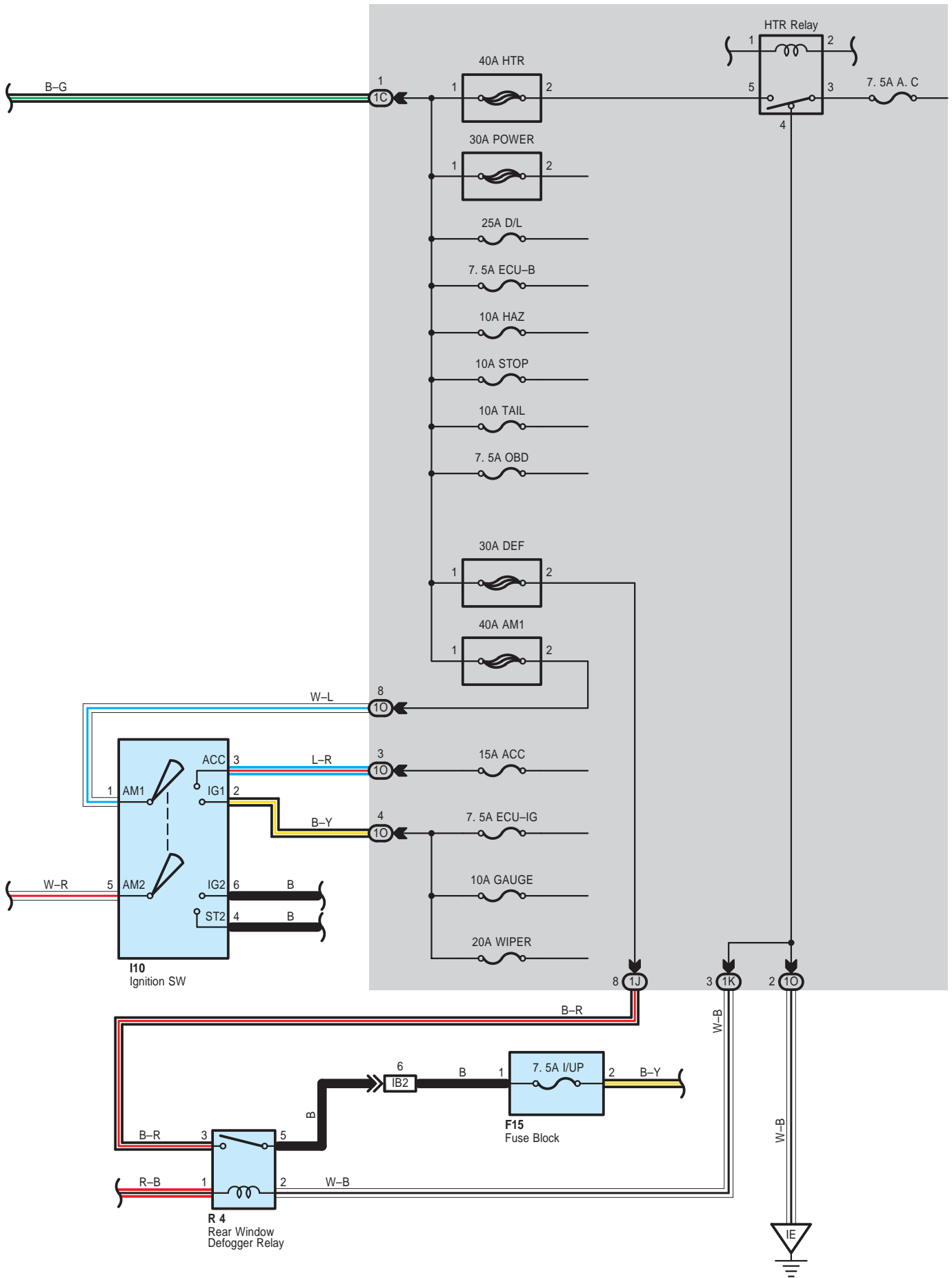


Power Source





Power Source

: Parts Location

Code		See Page	Code		See Page	Code		See Page
F8	A	28	F15	30	I10	30		
F9	B	28	G2	28	R4	31		

: Relay Blocks

Code	See Page	Relay Blocks (Relay Block Location)
1	22	Engine Room R/B (Engine Compartment Left)

: Junction Block and Wire Harness Connector

Code	See Page	Junction Block and Wire Harness (Connector Location)
1A	24	Engine Room Main Wire and Instrument Panel J/B (Lower Finish Panel)
1C		
1J	25	Instrument Panel Wire and Instrument Panel J/B (Lower Finish Panel)
1K		
1O		

: Connector Joining Wire Harness and Wire Harness

Code	See Page	Joining Wire Harness and Wire Harness (Connector Location)
IB2	35	Floor Wire and Instrument Panel Wire (Behind the Reinforcement LH)

: Ground Points

Code	See Page	Ground Points Location
IE	35	Left Kick Panel

