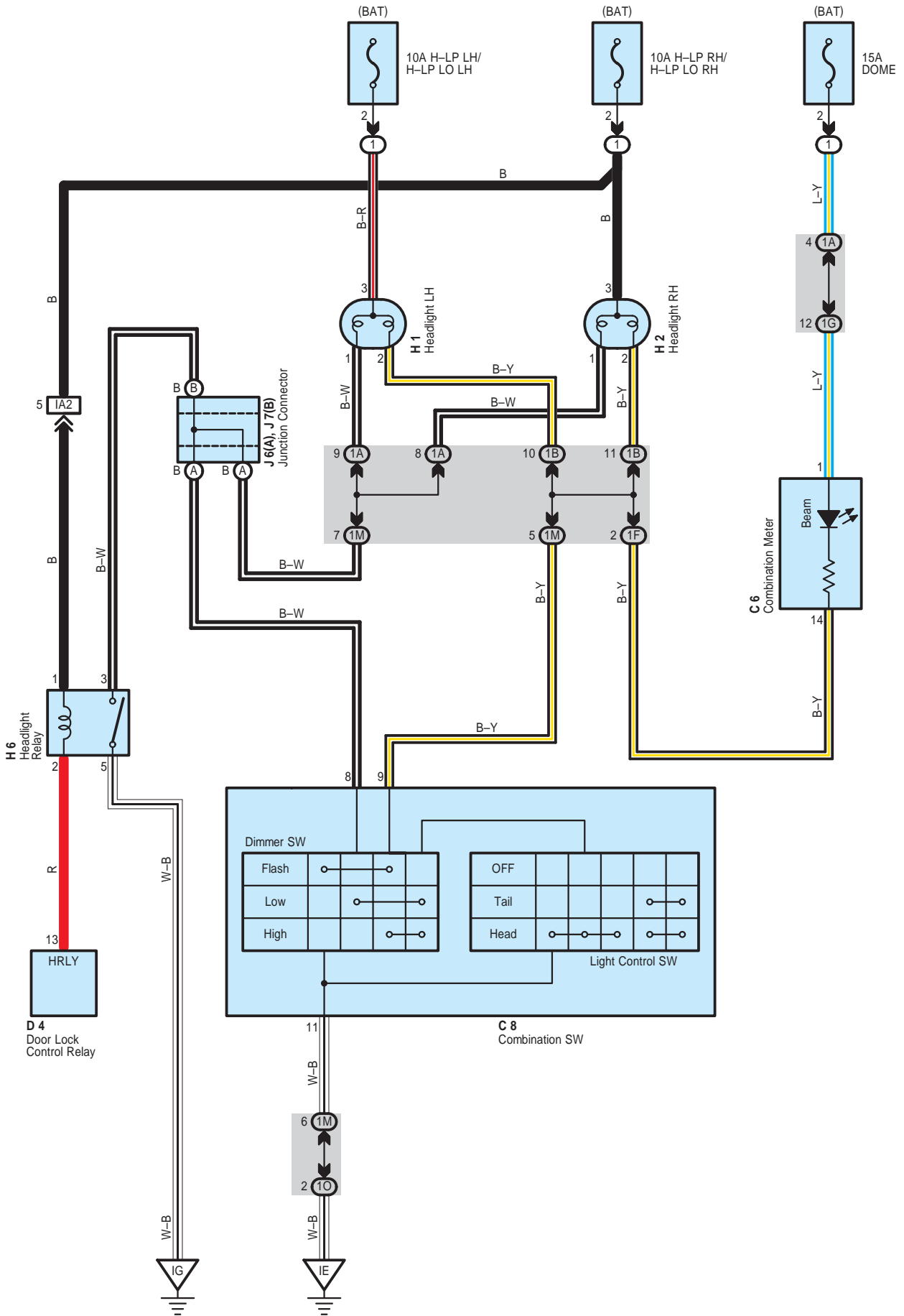


Headlight



 : **Parts Location**

Code	See Page	Code	See Page	Code	See Page
C6	30	H1	28	J6	A 31
C8	30	H2	28	J7	B 31
D4	30	H6	30		

 : **Relay Blocks**

Code	See Page	Relay Blocks (Relay Block Location)
1	22	Engine Room R/B (Engine Compartment Left)

 : **Junction Block and Wire Harness Connector**

Code	See Page	Junction Block and Wire Harness (Connector Location)
1A	24	Engine Room Main Wire and Instrument Panel J/B (Lower Finish Panel)
1B		
1F	25	Instrument Panel Wire and Instrument Panel J/B (Lower Finish Panel)
1G		
1M		
1O		

 : **Connector Joining Wire Harness and Wire Harness**

Code	See Page	Joining Wire Harness and Wire Harness (Connector Location)
IA2	35	Engine Room Main Wire and Instrument Panel Wire (Behind the Reinforcement LH)

 : **Ground Points**

Code	See Page	Ground Points Location
IE	35	Left Kick Panel
IG	35	Right Kick Panel