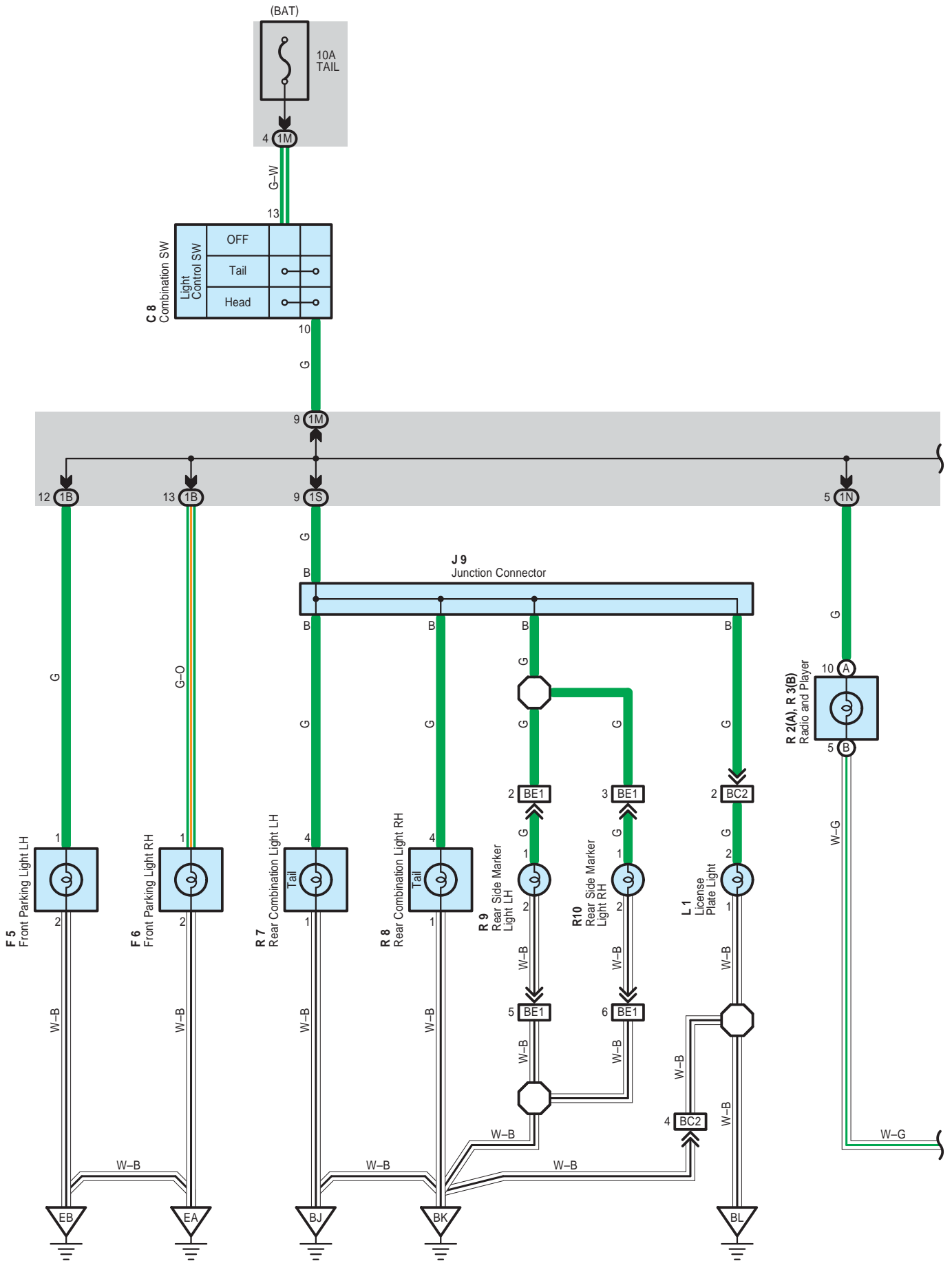


Taillight and Illumination



Taillight and Illumination

: Parts Location

Code	See Page	Code	See Page	Code	See Page
A7	30	J4	31	R3 B	31
C6	30	J6 A	31	R6	31
C8	30	J7 B	31	R7	33
F5	28	J9	32	R8	33
F6	28	L1	32	R9	33
I13	30	R2 A	31	R10	33

: Relay Blocks

Code	See Page	Relay Blocks (Relay Block Location)
1	22	Engine Room R/B (Engine Compartment Left)

: Junction Block and Wire Harness Connector

Code	See Page	Junction Block and Wire Harness (Connector Location)
1A	24	Engine Room Main Wire and Instrument Panel J/B (Lower Finish Panel)
1B		
1F	25	Instrument Panel Wire and Instrument Panel J/B (Lower Finish Panel)
1G		
1J		
1L		
1M		
1N		
1O		
1P		
1R	24	Floor Wire and Instrument Panel J/B (Lower Finish Panel)
1S		

: Connector Joining Wire Harness and Wire Harness

Code	See Page	Joining Wire Harness and Wire Harness (Connector Location)
BC2	36	Back Door No.1 Wire and Floor Wire (Right Rear Side Quarter Pillar)
BE1	36	Floor Wire and Lamp Wire (Back Panel Center)

: Ground Points

Code	See Page	Ground Points Location
EA	34	Front Right Fender Apron
EB	34	Front Left Fender Apron
IE	35	Left Kick Panel
IF	35	Instrument Panel Brace LH
BJ	36	Rear Quarter Panel Inner LH
BK	36	Rear Quarter Panel Inner RH
BL	36	Back Door Center

