

Title:  
**INSTALLATION OF REAR LOWER  
 BUMPER COVER DURING PDS**

Models:  
 '05 – '06 Scion xB

**Introduction** The rear lower bumper cover set, consisting of rear bumper protectors (left and right), rear bumper lowers (left and right), rear bumper side seals (left and right), and 16 clips (3 types) for the Scion xB are shipped in the luggage compartment. Please use the following procedures to install the rear lower bumper cover set on the vehicle during Pre-Delivery Service (PDS).

- Applicable Vehicles**
- 2005 – 2006 model year **Scion xB** vehicles.

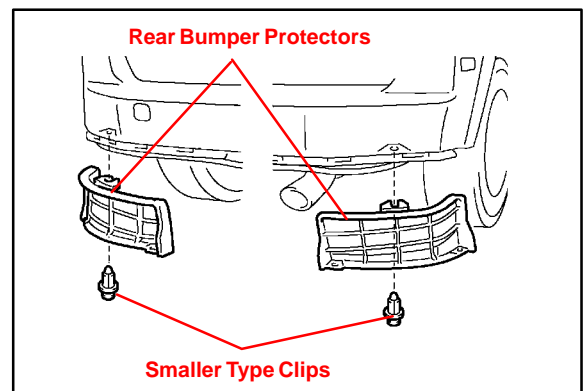
**Warranty Information**

OP CODE	DESCRIPTION	TIME	OFF	T1	T2
N/A	Not Applicable to Warranty	–	–	–	–

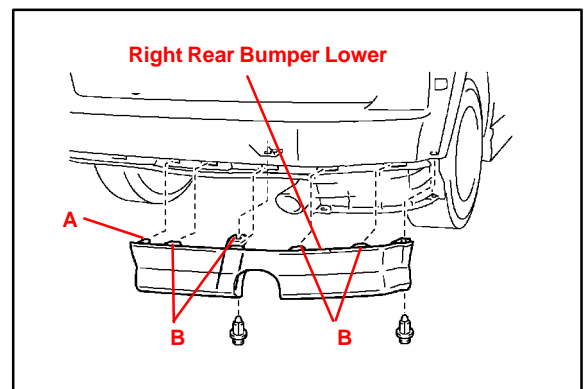
**Installation Procedure**

1. Install the right and left rear bumper protectors with a clip to the rear bumper upper.

**NOTE:**  
 Use the smaller type clips for the rear bumper protectors.

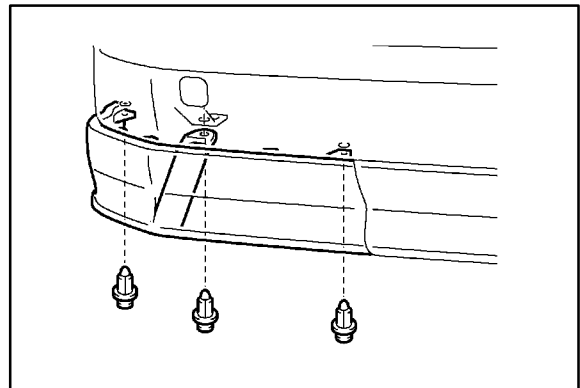
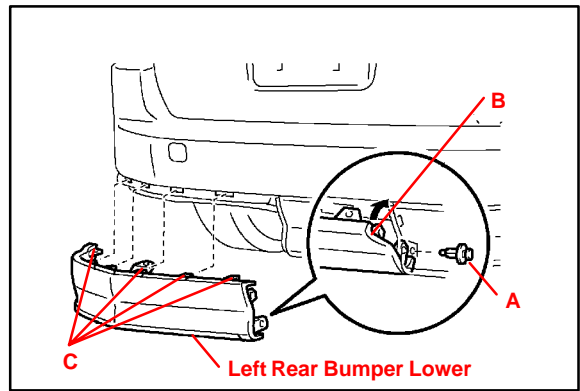


2. Install the right rear bumper lower to the rear bumper upper.
  - A. Insert rib (A) of the right rear bumper lower into the groove of the rear bumper upper.
  - B. Insert the 4 protrusions (B) of the right rear bumper lower into the grooves of the rear bumper upper.
  - C. Install the 2 clips.



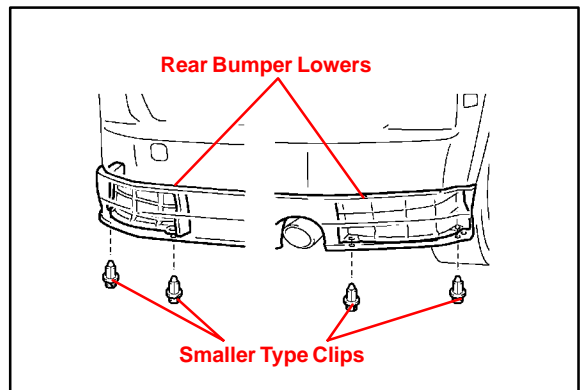
**Installation Procedure**  
(Continued)

3. Install the left rear bumper lower to the rear bumper upper.
  - A. Using the clip (A), install the left rear bumper lower (at the lower right end) to the right rear bumper lower (at the lower left end) and then insert the protrusion (B) of the left rear bumper lower into the groove of the right rear bumper lower.
  - B. Insert the 4 protrusions (C) of the left rear bumper lower into the grooves of the rear bumper upper.
  - C. Install the 3 clips.

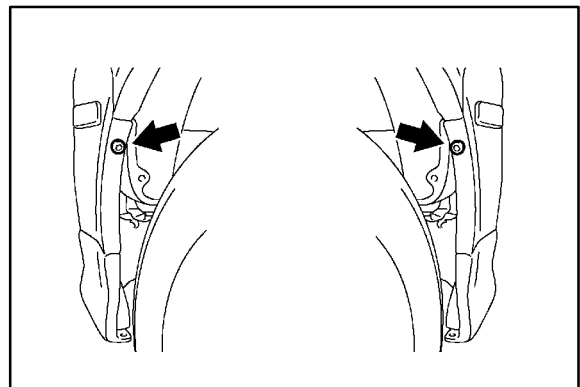


4. Install the 2 clips to the right and left rear bumper lowers.

**NOTE:**  
Use the smaller type clips for the rear bumper lower set.



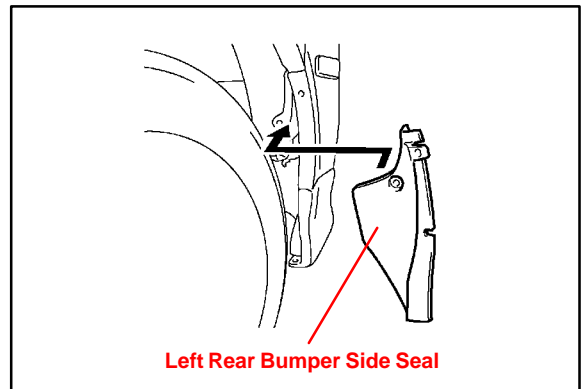
5. Remove the screw from the right side and left side of the rear bumper upper.



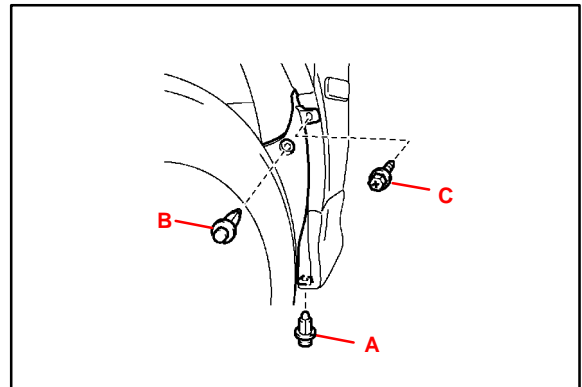
**Installation Procedure**  
(Continued)

6. Install the left rear bumper side seal to the rear bumper upper.
  - A. Place the left rear bumper side seal against the rear bumper upper.

**NOTE:**  
Use the clips in the rear bumper side seals set.



- B. Install the clip (A) to the rear bumper upper and left rear bumper side seal.
  - C. Install the clip (B) to the left rear bumper side seal and body.
  - D. Re-install the screw (C) to the left rear bumper side seal and rear bumper upper.



7. Install the right rear bumper side seal in the same manner as the left.